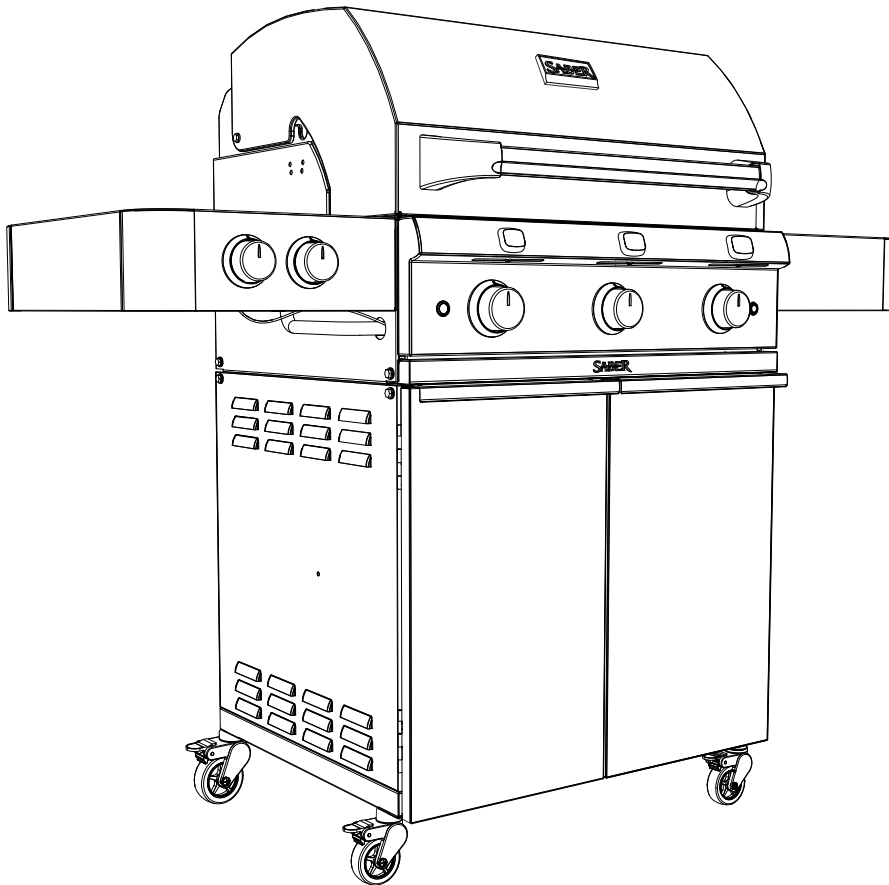


SABER[®]

PRODUCT GUIDE MODEL R50SC1417



IMPORTANT: Fill out the product record information below.

Place serial number label here
Serial Number

Date Purchased

If you have questions or need assistance during assembly, please call

1-888-94-SABER

1-888-947-2237

**VISIT SABERGRILLS.COM FOR
START-UP TIPS, RECIPES, SUPPORT,
AND PRODUCT REGISTRATION**



FOR NATURAL GAS CONVERSION:



NG Conversion Kit Model A00AA5417 must be used. Sold separately.


TABLE OF CONTENTS

For Your Safety	2-3
Use and Care	3-9
Grill Light Operation	10-11
Limited Warranty	12-14
Parts List	15
Parts Diagram	16
Troubleshooting	17-20



Safety Symbols



The symbols and boxes shown below explain what each heading means. Read and follow all of the messages found throughout the manual.

	WARNING	
WARNING: Indicates a potentially hazardous situation which, if not avoided, could result in death or serious injury.		

	CAUTION	
CAUTION: Indicates a potentially hazardous situation or unsafe practice which, if not avoided, may result in minor or moderate injury.		

	DANGER	
DANGER: Indicates an imminently hazardous situation which, if not avoided, will result in death or serious injury.		

	DANGER	
If you smell gas:		
<ul style="list-style-type: none">• Shut off gas to appliance.• Extinguish any open flame.• Open lid.• If odor continues, keep away from the appliance and immediately call your gas supplier or your fire department.		

	WARNING	
<ul style="list-style-type: none">• Do not store or use gasoline or other flammable liquids or vapors in the vicinity of this or any other appliance.• An LP cylinder not connected for use shall not be stored in the vicinity of this or any other appliance.		

	CAUTION	
For residential use only. Do not use for commercial cooking.		

THIS GRILL IS FOR OUTDOOR USE ONLY.



 **CAUTION:**
Read and follow all safety statements, assembly instructions, and use and care directions before attempting to assemble and cook.

INSTALLER/ASSEMBLER:
Leave this manual with consumer.

CONSUMER:
Keep this manual for future reference.

 **WARNING:**
Failure to follow all manufacturer's instructions could result in serious personal injury and/or property damage.

 **CAUTION:**
Some parts may contain sharp edges – especially as noted in the manual! Wear protective gloves if necessary.

	WARNING	
CALIFORNIA PROPOSITION 65		
1. Combustion by-products produced when using this product contain chemicals known to the State of California to cause cancer, birth defects, and other reproductive harm.		
2. This product contains chemicals, including lead and lead compounds, known to the State of California to cause cancer, birth defects or other reproductive harm.		
<i>Wash your hands after handling this product.</i>		

Installation Safety Precautions

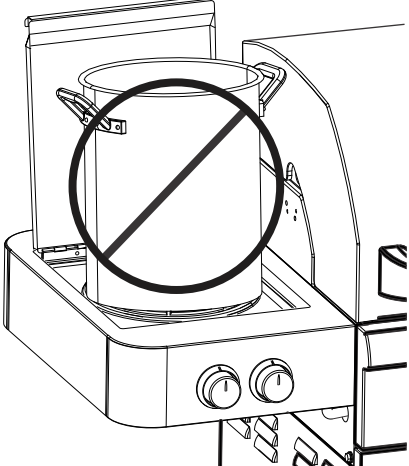
- Use grill, as purchased, only with LP (propane) gas and the regulator/valve assembly supplied. A conversion kit must be purchased for use with natural gas.
- Grill installation must conform with local codes, or in their absence of local codes, with either the *National Fuel Gas Code, ANSI Z223.1/NFPA 54, Natural Gas and Propane Installation Code, CSA B149.1, or Propane Storage and Handling Code, B149.2, or the Standard for Recreational Vehicles, ANSI A 119.2/NFPA 1192, and CSA Z240 RV Series, Recreational Vehicle Code, as applicable.*
- All electrical accessories (such as rotisserie) must be electrically grounded in accordance with local codes, or *National Electrical Code, ANSI / NFPA 70 or Canadian Electrical Code, CSA C22.1. Keep any electrical cords and/or fuel supply hoses away from any hot surfaces.*
- This grill is safety certified for use in the United States and/or Canada only. Do not modify for use in any other location. Modification will result in a safety hazard.
- The pressure regulator and hose assembly supplied must be used and replacements must be those specified by appliance manufacturer.

!WARNING!

Do not attempt to repair or alter the hose/valve/regulator for any “assumed” defect. Any modification to this assembly will void your warranty and create the risk of a gas leak and fire. Use only authorized replacement parts supplied by manufacturer.

!CAUTION!

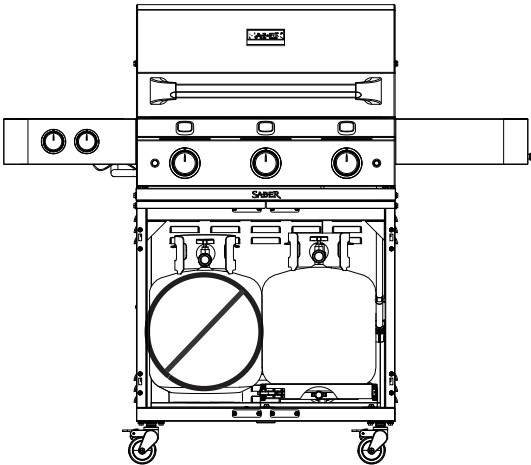
Using pots larger than 15 quarts in capacity could exceed weight limit of the side burner shelf, resulting in failure of grill cart components.



USE AND CARE

!DANGER!

NEVER store a spare cylinder under or near the appliance or in an enclosed area.



Never fill a cylinder beyond 80% full.

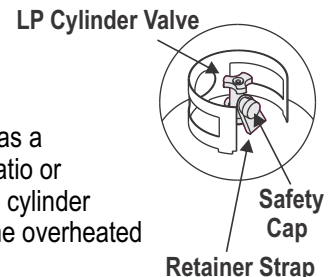
An over filled or improperly stored cylinder is a hazard due to possible gas release from the safety relief valve.

If you see, smell or hear gas escaping, immediately get away from the LP cylinder/appliance and call your fire department.

This could cause an intense fire with risk of property damage, serious injury or death.

LP Cylinder Removal, Transport and Storage

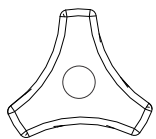
- Turn OFF all control knobs and LP cylinder valve. Turn coupling nut counterclockwise by hand only - do not use tools to disconnect. Loosen cylinder screw beneath bottom shelf, then lift LP cylinder up and out of cart. Install safety cap onto LP cylinder valve. Always use cap and strap supplied with valve. **Failure to use safety cap as directed may result in serious personal injury and/or property damage.**
- A disconnected LP cylinder in storage or being transported must have a safety cap installed (as shown). Do not store an LP cylinder in enclosed spaces such as a carport, garage, porch, covered patio or other building. Never leave an LP cylinder inside a vehicle which may become overheated by the sun.
- Do not store an LP cylinder in an area where children play.



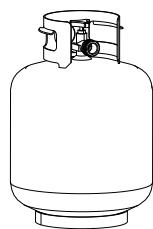
LP Cylinder

The LP cylinder used with your grill must meet the following requirements:

- Use LP cylinders only with these required measurements: 12" (30.5cm) (diameter) x 18" (45.7cm) (tall) with 20 lb. (9kg) capacity maximum.
- LP cylinders must be constructed and marked in accordance with specifications for LP cylinders of the U. S. Department of Transportation (DOT) or for Canada, CAN/CSA-B339, cylinders, spheres and tubes for transportation of dangerous goods. Transport Canada (TC). See cylinder collar for marking.
- LP cylinder valve must have:
 - Type 1 outlet compatible with regulator or grill.
 - Safety relief valve.
- UL listed Overfill Protection Device (OPD). This OPD safety feature is identified by a unique triangular hand wheel. **Use only LP cylinders equipped with this type of valve.**
- LP cylinder must be arranged for vapor withdrawal and include collar to protect LP cylinder valve. Always keep LP cylinder in upright position during use, transit or storage.



OPD Hand Wheel



LP cylinder in upright position for vapor withdrawal

LP (Liquefied Petroleum Gas)

- LP gas is nontoxic, odorless and colorless when produced. For **Your Safety**, LP gas has been given an odor (similar to rotten cabbage) so that it can be smelled.
- LP gas is highly flammable and may ignite unexpectedly when mixed with air.

LP Cylinder Filling

- Use only licensed and experienced dealers.
- LP dealer **must purge new cylinder** before filling.
- Dealer should **NEVER** fill LP cylinder more than 80% of LP cylinder volume. Volume of propane in cylinder will vary by temperature.
- A frosty regulator indicates gas overfill. Immediately close LP cylinder valve and call local LP gas dealer for assistance.
- Do not release liquid propane (LP) gas into the atmosphere. This is a hazardous practice.
- To remove gas from LP cylinder, contact an LP dealer or call a local fire department for assistance. Check the telephone directory under "Gas Companies" for nearest certified LP dealers.

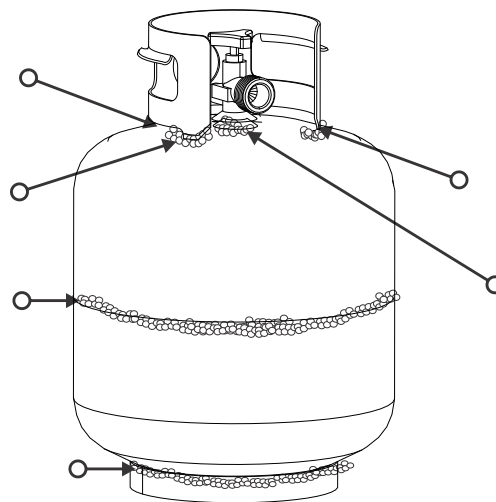
LP Cylinder Exchange

- Many retailers that sell grills offer you the option of replacing your empty LP cylinder through an exchange service. Use only those reputable exchange companies that inspect, precision fill, test and certify their cylinders. **Exchange your cylinder only for an OPD safety feature-equipped cylinder as described in the "LP Cylinder" section of this manual.**
- Always keep new and exchanged LP cylinders in upright position during use, transit or storage.
- Leak test new and exchanged LP cylinders BEFORE connecting to grill.**

LP Cylinder Leak Test

For your safety

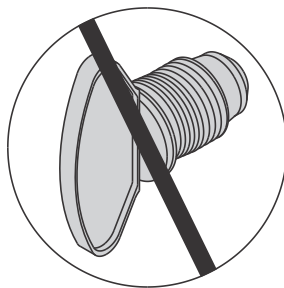
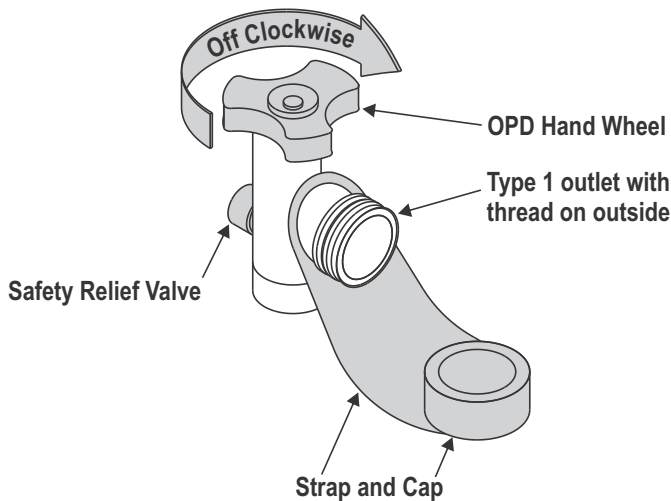
- Leak test must be repeated each time LP cylinder is exchanged or refilled.
- Do not smoke during leak test.
- Do not use an open flame to check for gas leaks.
- Grill must be leak tested outdoors in a well-ventilated area, away from ignition sources such as gas fired or electrical appliances. During leak test, keep grill away from open flames or sparks.
- Use a clean paintbrush and a 50/50 mild soap and water solution. Brush soapy solution onto areas indicated by arrows in figure below.
- Do not use household cleaning agents.** Damage to gas train components can result.



If "growing" bubbles appear do not use or move the LP cylinder. Contact an LP gas supplier or your fire department!

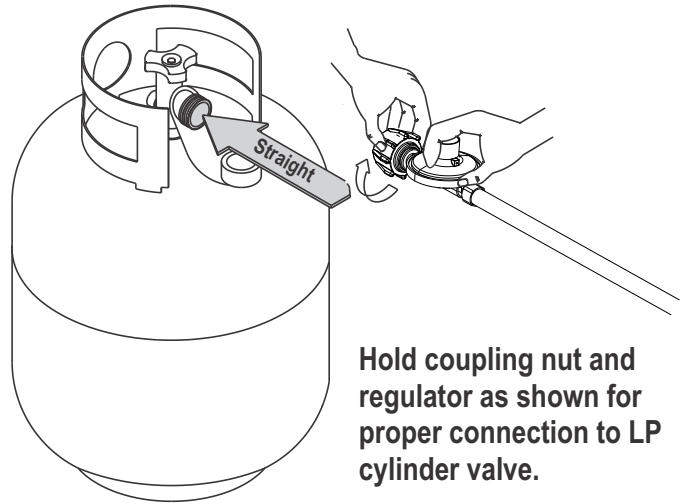
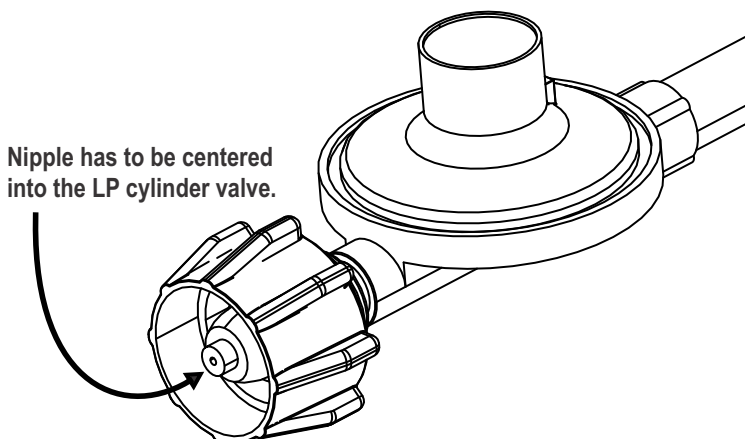
Connecting Regulator to the LP Cylinder

1. LP cylinder must be properly secured onto grill. (Refer to assembly section of your grill manual).
2. Turn all control knobs to the **OFF** position.
3. Turn LP cylinder **OFF** by turning hand wheel clockwise to a **Full Stop**.
4. Remove the protective cap from LP cylinder valve. Always use cap and strap supplied with valve.



Do not use a POL transport plug (plastic part with external threads)! It will defeat the safety feature of the valve.

5. Hold regulator and insert nipple into LP cylinder valve. Hand-tighten the coupling nut, holding regulator in a straight line with LP cylinder valve so as not to cross-thread the connection.



Hold coupling nut and regulator as shown for proper connection to LP cylinder valve.

Connecting Regulator to the LP Cylinder (Con't.)

6. Turn the coupling nut clockwise and tighten to a **Full Stop**. The regulator will seal on the back-check feature in the LP cylinder valve, resulting in some resistance. **An additional one-half to three-quarters turn is required to complete the connection. Tighten by hand only - do not use tools.**

NOTE:

If you cannot complete the connection, disconnect regulator and repeat steps 5 and 6. If you are still unable to complete the connection, **do not use this regulator!**



DANGER



Do not insert any tool or foreign object into the valve outlet or safety relief valve. You may damage the valve and cause a leak. Leaking propane may result in explosion, fire, severe personal injury, or death.



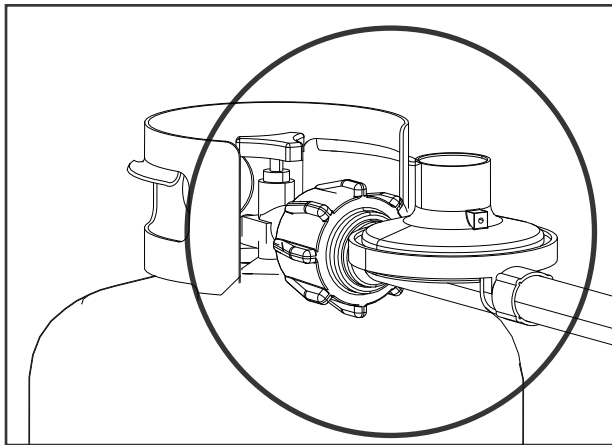
WARNING



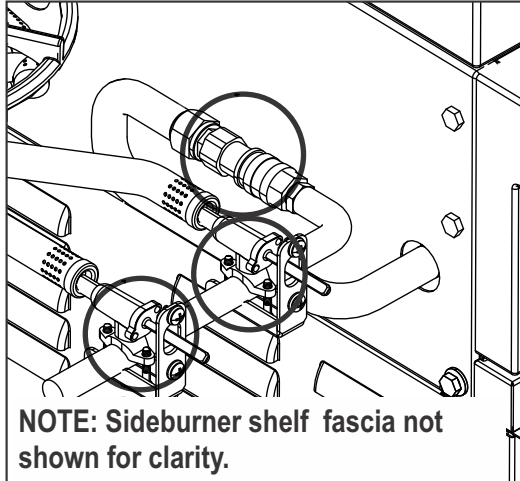
- Outdoor gas appliance is not intended to be installed in or on a boat.
- Outdoor gas appliance is not intended to be installed in or on an RV.
- Never attempt to attach this grill to the self-contained LP gas system of a camper trailer or motor home.
- Do not use grill until leak tested.
- If a leak is detected at any time, **STOP** and call the fire department.
- If you cannot stop a gas leak, **immediately** close LP cylinder valve and call LP supplier or your fire department!

Leak Testing Valves, Hoses and Regulator

1. Turn all control knobs to the **○ OFF** position.
2. Be sure regulator is tightly connected to LP cylinder.
3. Completely open LP cylinder valve by turning hand wheel counterclockwise. If you hear a **rushing sound**, turn gas off immediately. There is a major leak at the connection. **Correct before proceeding.**
4. Brush soapy solution onto areas circled below, or other similar fittings on your grill.



NOTE:
Sideburner shelf fascia not shown for clarity.



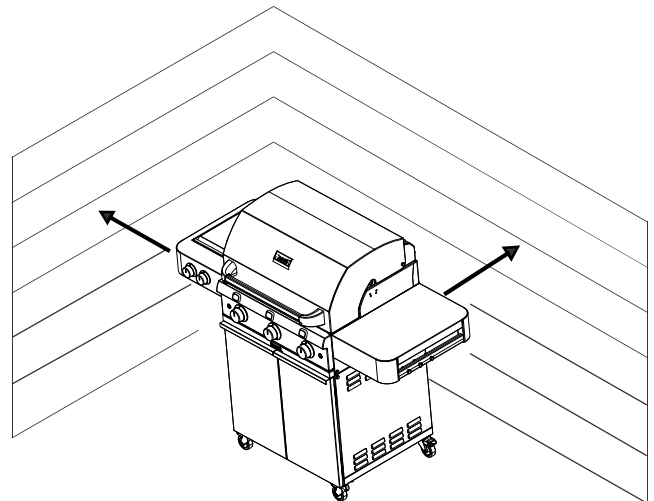
5. If “growing” bubbles appear there is a leak. Close LP cylinder valve immediately and retighten connections. **If leaks cannot be stopped do not try to repair.** Call for replacement parts.
6. Always close LP cylinder valve after performing leak test by turning hand wheel clockwise.

	WARNING	
Turn controls and gas source or tank OFF when not in use.		

	WARNING	
--	----------------	--

For Safe Use of Your Grill and to avoid serious injury:

- Do not let children operate or play near grill.
- Keep grill area clear and free from materials that burn.
- Do not block holes in sides or back of grill.
- Check burner flames regularly.
- Use grill only in well-ventilated space. **NEVER** use in enclosed space such as carport, garage, porch, covered patio, or under an overhead structure of any kind.
- Do not use charcoal or ceramic briquets in a gas grill.
- **Use grill at least 3 ft. from any wall or surface.** Maintain 10 ft. clearance to objects that can catch fire or sources of ignition such as pilot lights on water heaters, live electrical appliances, etc.



Apartment Dwellers:



- Check with management to learn the requirements and fire codes for using an LP gas grill in your apartment complex. If allowed, use outside on the ground floor with a three (3) foot clearance from walls or rails. Do not use on or under balconies.
- **NEVER** attempt to light burner with lid closed. A build-up of non-ignited gas inside a closed grill is hazardous.
- Never operate grill with LP cylinder out of correct position specified in assembly instructions.
- Always close LP cylinder valve and remove coupling nut before moving LP cylinder from specified operation position.

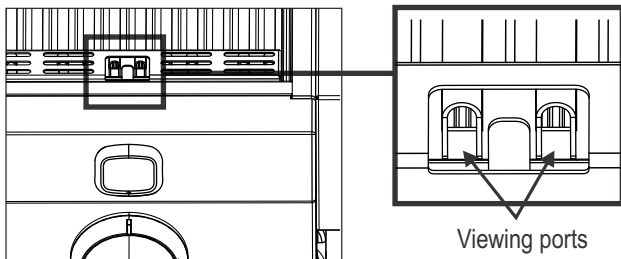
Safety Tips


- Before opening LP cylinder valve, check the coupling nut for tightness.
- When grill is not in use, turn off all control knobs and LP cylinder valve.
- Never move grill while in operation or still hot.
- Use long handled barbecue utensils and oven mitts to avoid burns and splatters.
- Maximum load for sideburner and side shelf is 10 lbs.
- The grease tray **must** be inserted into grill and emptied after each use. Do not remove grease tray until grill has completely cooled.
- Clean grill often, preferably after each cookout. If a bristle brush is used to clean any of the grill cooking surfaces, ensure no loose bristles remain on cooking surfaces prior to grilling. It is not recommended to clean cooking surfaces while grill is hot.
- If you notice grease or other hot material dripping from grill onto valve, hose or regulator, turn off gas supply at once. Determine the cause, correct it, then clean and inspect valve, hose and regulator before continuing. Perform a leak test.
- Keep ventilation openings in cylinder enclosure (grill cart) free and clear of debris.
- Do not store objects or materials inside the grill cart enclosure that would block the flow of combustion air to the underside of either the control panel or the firebox bowl.
- The regulator may make a humming or whistling noise during operation. This will not affect safety or use of grill.
- If you have a grill problem see the “*Troubleshooting Section*”.
- If the regulator frosts, turn off grill and LP cylinder valve immediately. This indicates a problem with the cylinder and it should not be used on any product. Return to supplier!



Main Burner Ignitor Lighting



Do not lean over grill while lighting.

1. Turn all control knobs to  OFF.
2. Turn **ON** gas at LP cylinder.
3. **Open lid during lighting.**
4. To ignite, push and turn burner control knob to .
5. Push and hold **ELECTRONIC IGNITION** button until the burner lights (use flame viewing ports to verify).





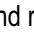

6. If ignition does **NOT** occur in 5 seconds, turn the burner controls to , wait 5 minutes, and repeat the lighting procedure.
7. Ignite remaining burners by repeating steps 4 through 6 for each burner.
8. Once each burner has ignited, turn knobs to desired setting.

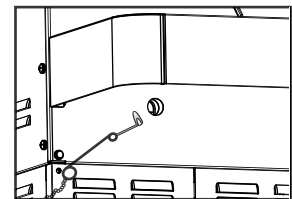
	CAUTION	
<p>If ignition does NOT occur in 5 seconds, turn the control knobs OFF, wait 5 minutes and repeat the lighting procedure. If the burner does not ignite with the valve open, gas will continue to flow out of the burner and could accidentally ignite with risk of injury.</p>		

	CAUTION	
<ul style="list-style-type: none">• Putting out grease fires by closing the lid is not possible. Grills are well ventilated for safety reasons.• Do not use water on a grease fire. Personal injury may result. If a grease fire develops, turn knobs and LP cylinder off.• Do not leave grill unattended while preheating or burning off food residue on HI. If grill has not been regularly cleaned, a grease fire can occur that may damage the product.		

Main Burner Match-Lighting




Do not lean over grill while lighting.

1. Turn all control knobs to  OFF.
2. Turn **ON** gas at LP cylinder.
3. **Open lid during lighting.**
4. Place match into match holder (hanging from left side of cart). Light match, place into lighting hole on left side of firebox.
5. Push in and turn far left control knob to  position. Once burner has ignited (use flame viewing ports to verify), turn control knob to desired setting.
6. If ignition does **NOT** occur in 5 seconds, turn the control knob to , wait 5 minutes, and repeat the lighting procedure.
7. Light adjacent burners in sequence by pushing control knob in and turning to  position.





Sideburner Ignitor Lighting

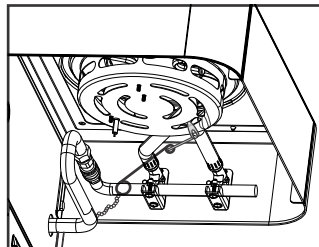
Do not lean over grill while lighting.

1. Turn all control knobs to  OFF.
2. Turn **ON** gas at LP cylinder.
3. **Open sideburner lid during lighting.**
4. To ignite push in and turn side burner control knob to .
5. Push and hold **ELECTRONIC IGNITION** button until the burner lights.
6. If ignition does **NOT** occur in 5 seconds, turn the control knob to , wait 5 minutes, and repeat the lighting procedure.
7. Repeat steps 4 through 6 for second burner.

Sideburner Match-Lighting

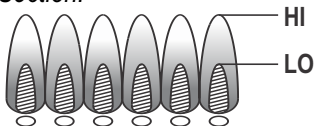
Do not lean over grill while lighting.

1. Turn all control knobs to **OFF**.
2. Turn **ON** gas at LP cylinder.
3. **Open lid during lighting.**
4. Place lit match near inside bottom opening of burner pan.
5. Push in and turn control knob of the burner to the  position. Ensure burner stays lit.
6. Light adjacent burner by pushing knob in and turning to the  position.



Burner Flame Check

- Remove cooking grates and emitters. Light burners, rotate control knobs from **HI** to **LO**. You should see a smaller flame in **LO** position than seen on **HI**. Perform burner flame check on side burner, also. Always check flame prior to each use. If only low flame is seen refer to "Sudden drop or low flame" in the *Troubleshooting Section*.



Turning Grill OFF

- Turn all control knobs to **OFF** position. Turn LP cylinder **OFF** by turning hand-wheel clockwise to a full stop.

Ignitor Check

- **Turn Gas OFF at LP cylinder.** Press and hold electronic ignition button. "Click" should be heard and spark seen each time between collector box or burner and electrode. See "Troubleshooting" if no click or spark.

Valve Check

- **IMPORTANT: Make sure gas is OFF at LP cylinder before checking valves.** Control knobs lock in **OFF** position. To check valves, first push in knobs and release, knobs should spring back. If control knobs do not spring back, replace valve assembly before using grill. Turn control knobs to **LO** position then turn back to **OFF** position. **Valves should turn smoothly.**

Hose Check

- Before each use, check to see if hoses are cut or worn. Replace damaged hoses before using grill. Use only valve/hose/regulator specified by manufacturer.

Quick Start Tips

Reversible sideburner grate:

- The dual function sideburner grate has a flat surface on one side for warming, boiling, or frying using pots and pans and it has a curved surface on the other side for wok usage.

Preheating for different types of grilling:

- Sear - preheat with all burners set to **HI** for maximum cooking grate temperatures
- Barbecue - preheat with all burners set to **LO** for a lower starting grate temperature for grilling foods slower.

Quick Start Tips (con't.)

Preheating for different types of grilling:

- Indirect grilling - preheat one burner only on the side opposite where the food will be placed to allow the slowest and lowest grilling for larger cuts of meat.
- Roasting - place the warming rack on the lower supports and use burner(s) directly under the food on **LO** or indirectly for lower temperature cooking. This will allow more heat to circulate around the food during grilling.

Lowering the temperature of the cooking grate:

- Control knob - turn the control knob to the **LO** setting for the lowest temperature setting.
- Control knob - for the lowest cooking grate temperatures the food can be grilled indirectly with the burner under the food in the **OFF** position and a single burner away from the food on **LO**.
- During grilling the grill can be cooled down faster by lifting the lid while adjusting the control knobs to a lower setting.

Adding a smoked flavor while grilling:

- Do not use wood chunks on a Saber grill cooking grate.
- Wood chips can be used by placing them between the cooking grate bars. Soaking the wood chips for a minimum of 15 minutes prior to use will extend the smoking time.
- A smoker box (sold separately) can be used by filling it with wood chips and placing it directly on the cooking grate with the burner on the **HI** or **LO** setting.

General Grill Cleaning

- Do not mistake brown or black accumulation of grease and smoke for paint. Apply a strong solution of detergent and water or use a grill cleaner with scrub brush on insides of grill lid and bottom. Rinse and allow to completely air dry.

Do not apply a caustic grill/oven cleaner to painted surfaces.

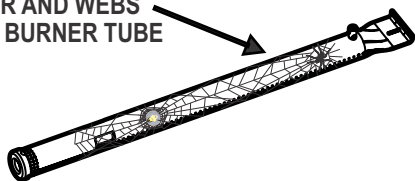
- **Plastic parts:** Wash with warm soapy water and wipe dry. Do not use citrisol, abrasive cleaners, degreasers or a concentrated grill cleaner on plastic parts. Damage to and failure of parts can result.
- **Porcelain surfaces:** Because of glass-like composition, most residue can be wiped away with baking soda/water solution or specially formulated cleaner. Use non-abrasive scouring powder on stubborn stains.
- **Painted surfaces:** Wash with mild detergent or non-abrasive cleaner and warm soapy water. Wipe dry with a soft non-abrasive cloth.
- **Stainless steel surfaces:** To maintain your grill's high quality appearance, wash with mild detergent and warm soapy water and wipe dry with a soft cloth after each use. Baked-on grease deposits may require the use of an abrasive plastic cleaning pad. Use only in direction of brushed finish to avoid damage. Do not use abrasive pad on areas with graphics.

Cooking surfaces: If a bristle brush is used to clean any of the grill cooking surfaces, ensure no loose bristles remain on cooking surfaces prior to grilling. It is not recommended to clean cooking surfaces while grill is hot.

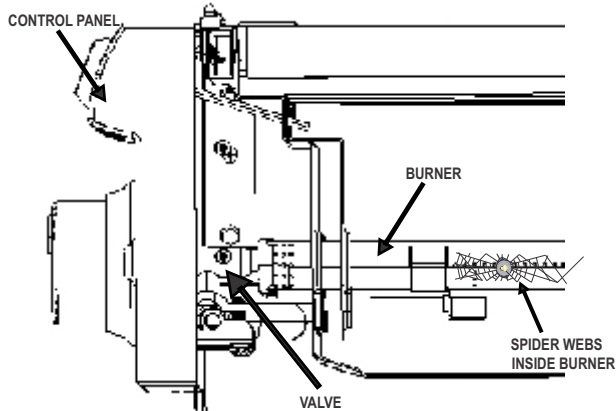
CAUTION

SPIDER ALERT!

**SPIDER AND WEBS
INSIDE BURNER TUBE**



If you notice that your grill is getting hard to light or that the flame isn't as strong as it should be, take the time to check and clean the burners.



In some areas of the country, spiders or small insects have been known to create "flashback" problems. The spiders spin webs, build nests and lay eggs in the grill's burner tube(s) obstructing the flow of gas to the burner. The backed-up gas can ignite in the burner behind the control panel. This is known as a flashback and it can damage your grill and even cause injury.

To prevent flashbacks and ensure good performance the burner assembly should be removed from the grill and cleaned before use whenever the grill has been idle for an extended period.

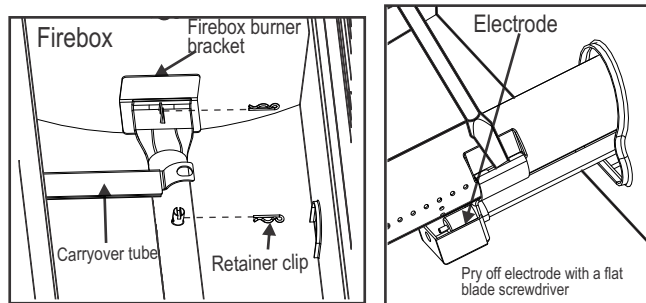
Storing your grill

- Clean cooking grates.
- Store in dry place.
- When LP cylinder is connected to grill, store outdoors in a well ventilated space and out of reach of children.
- Cover grill if stored outdoors. Choose from a cover offered by the manufacturer.
- Store grill indoors ONLY if LP cylinder is turned off and disconnected, removed from grill and stored outdoors.
- When removing grill from storage, follow "Cleaning the Burner Assembly" instructions before starting grill.

Cleaning the Burner Assembly

Follow these instructions to clean and/or replace parts of burner assembly or if you have trouble igniting grill.

1. Turn gas to **OFF** at control knobs and gas source.
2. Remove cooking grates and emitters.
3. Remove retaining clips and carryover tubes from rear of burners.
4. Using a flat blade screwdriver pry off the electrode from each burner. Electrode should remain in burner box connected to ignition wire.
5. Carefully lift each burner up and away from valve openings.



6. We suggest three ways to clean the burner tubes. Use the one easiest for you.

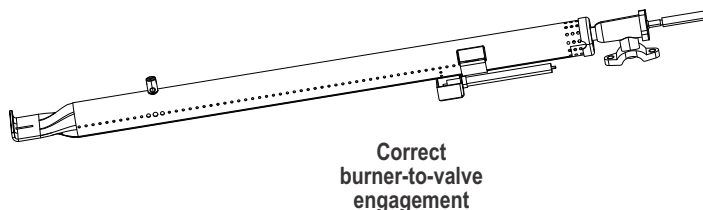
(A) Bend a stiff wire (a light weight coat hanger works well) into a small hook. Run the hook through each burner tube several times.



(B) Use a narrow bottle brush with a flexible handle (do not use a brass brush), run the brush through each burner tube several times.

(C) Wear eye protection: Use an air hose to force air into the burner tube and out the burner ports. Check each port to make sure air comes out each hole.

7. Wire brush entire outer surface of burner to remove food residue and dirt.
8. Clean any blocked ports with a stiff wire such as an open paper clip.
9. Check burner for damage, due to normal wear and corrosion some holes may become enlarged. If any large cracks or holes are found replace burner.
10. Re-attach electrode to burner. Ensure ignition wire is connected.
11. Carefully replace burners. **VERY IMPORTANT:** Burner tubes must re-engage valve opening.



12. Re-attach burners to brackets inside burner box.
13. Reposition carryover tubes and re-attach to burners.
14. Replace emitters and cooking grates.

LIGHT OPERATION INSTRUCTIONS

WARNING

- Do not let the electrical supply cord hang over the edge of a table or touch any heated surface.
- Use the shortest length extension cord required.
- Do not connect 2 or more extension cords together.
- To protect against electrical shock, do not immerse cord or plugs in water or other liquid.
- Unplug from the outlet when not in use and before cleaning. Allow to cool before putting on or taking off parts.
- Do not operate grill with a damaged cord, plug or after the appliance malfunctions or has been damaged in any manner. Contact the manufacturer for repair.
- Do not use an outdoor cooking gas appliance for purposes other than intended.
- When connecting, first connect plug to the outdoor cooking gas appliance then plug appliance into the outlet.
- Never remove the grounding plug or use with an adapter of 2 prongs.
- Use only extension cords with a 3 prong grounding plug, rated for the power of the equipment, and approved for outdoor use with a W-A marking.

IMPORTANT

- Since 1971 the National Electrical Code (NEC) has required Ground Fault Interrupter devices on all outdoor circuits.
- If your residence was built before 1971, check with a qualified electrician to determine if a Ground Fault Interrupter (GFI) protector exists.
- Do not use this appliance if the circuit does not have GFI protection.
- Do not plug this appliance into an indoor circuit.

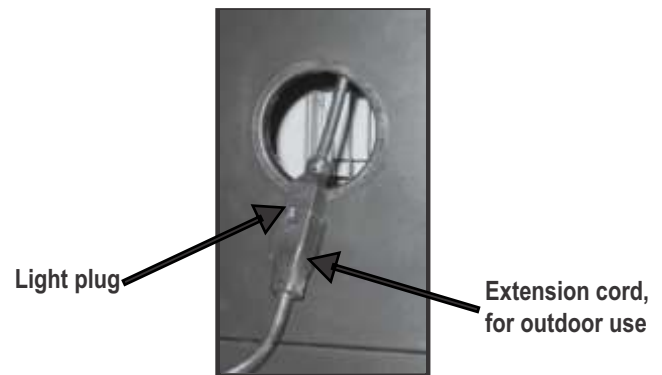
Light Operations

1. Make sure light switch on the control panel is in the “OFF” position. The button should be flat with the rim.



OFF POSITION

2. Connect the light plug to a GFI outlet or an extension cord, then put the extension cord plug into the outlet on the wall.



3. Turn the light switch to “ON” by pressing the button. Turn “OFF” by pressing the button again.



ON POSITION

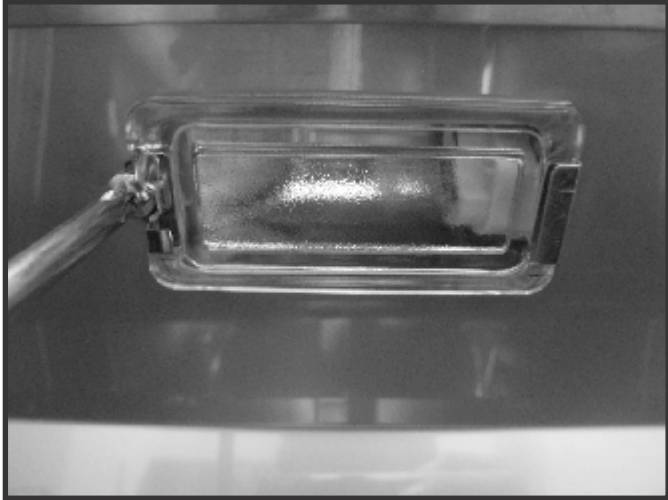
Bulb Replacement

Note: Make sure light switch on the control panel is in the “OFF” position and adapter plug is disconnected from outlet.

Standard Replacement Bulb Specification:

Bulb Type:	Halogen	Can be purchased at a local hardware store
Wattage:	10 W per bulb	
Voltage:	12 V	

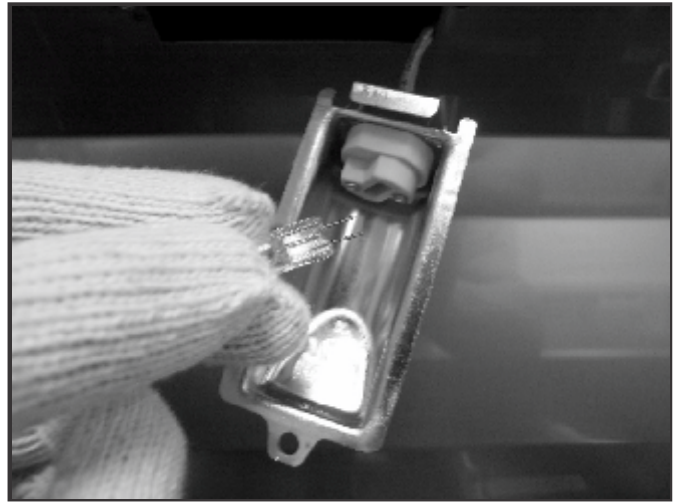
1. Release the screw securing the light socket.



2. Take out the socket and remove the lens.



3. Pull out bulb and replace with a new bulb.





IMPORTANT



Take care not to touch the bulb with your bare fingers. Touching bulb with your skin can leave a film on the bulb that causes it to burn out quickly.

4. Reverse instructions from step 2 through step 1 to re-install socket.

Cleaning the Lens

1. Prior to cleaning, make sure the light switch is in the “OFF” position and the light plug is disconnected from the power supply.
2. Do not clean the glass lens when warm. Allow to cool before cleaning. Sudden change in temperature may cause cracking of the glass lens.
3. Use a damp towel to clean the surface of the glass lens.
4. Allow the lens to dry before reconnecting the light plug to the power supply and pressing the light switch to the “ON” position.

Item	Warranty Term
Stainless Steel Parts	
Lids & Lid inserts	Limited Lifetime
Firebox & Cart Panels	Limited Lifetime
Burner Tubes & Carryover Tubes	10 Years
Cooking Grates, Emitters, Warming Racks, Grease Tray, Burner Boxes, Side Burner Grate, Side Burner Pan	5 Years no rust through or burn through
Porcelain Enameled Parts	
Lid Insert	Limited Lifetime (excludes fading)
Interior Firebox	Limited Lifetime no rust through or burn through (excludes fading)
Warming Racks, Grates, Burner Boxes	5 Years no rust through or burn through (excludes fading)
Painted Parts	2 Years (excludes fading)
All Other Parts	2 Years

LIMITED LIFETIME WARRANTY:

Saber warrants the fabricated stainless steel components (lids, lid inserts, exterior fire box and cart panels), to be free from defects in material and workmanship under normal residential use for the lifetime of the product.

Saber's Limited Lifetime Warranty covers the structural integrity of the lids, lid inserts, exterior firebox and cart panels. Should structural deterioration occur to the degree of non performance, the part(s) will be replaced, free of charge to the consumer for installation. Costs associated with the installation of replacement warranty parts is not covered by this limited lifetime warranty and is the sole responsibility of the owner.

This warranty excludes discoloration, surface scratches, weather and atmospheric related staining, and minor surface rust and oxidation which are normal conditions and to be expected with any outdoor product.

TEN YEAR LIMITED WARRANTY: Saber warrants the stainless steel burner tubes and carryover tubes to be free from defects in materials and workmanship under normal residential use for a period of ten (10) years from the original date of purchase. The part will be replaced, free of charge.

FIVE YEAR LIMITED WARRANTY: Saber warrants the stainless steel cooking grates, emitters, warming racks, grease tray, burner boxes, side burner grate, side burner pan, and porcelain enameled warming racks, grates, and burner boxes to be free from defects in materials and workmanship for a period of five (5) years from the original date of purchase. The part will be replaced free of charge.

TWO YEAR FULL WARRANTY: Saber warrants all painted parts and any other parts not specifically mentioned above, to be free from defects in materials and workmanship under normal residential use for a period of two (2) years from the original date of purchase. Saber will replace the part which fails or is found to be defective during the warranty period, at no cost to the original purchaser.

Owner shall be responsible for proper installation, providing normal care and maintenance, and providing proof of purchase upon request.

Saber reserves the right, PRIOR to shipping warranty replacement parts, to require the part in question be returned for inspection and analysis. Requested parts should be returned to Saber, freight pre-paid by the consumer.

WARRANTY LIMITATIONS & EXCLUSIONS

This warranty excludes units purchased for use in all types of commercial and or community use locations such as restaurants, hotels, catering operations food service establishments, condominium/apartment complexes, rental properties, and to products with altered or removed serial numbers.

This warranty shall apply **ONLY** to the products purchased and located in the continental **United States** and **Canada**.

The warranty coverage begins on the original date of purchase and proof of date of purchase is required for warranty service. Please register your product and retain your original sales receipt.

In order to activate the warranty, we require that you send in the attached warranty registration card or register your product online.

This warranty applies only to the original grill owner and cannot/may not be transferred.

This warranty does not apply to damages resulting from negligence, alteration, misuse, abuse, accident, natural disaster, loss of electrical power to the product for any reason, improper installation or improper operation, unauthorized adjustments or calibrations, dings, dents, scratches, or damages due to harsh cleaning chemicals.

Saber shall not be liable for incidental, consequential, special or contingent damages resulting from its breach of this written warranty or any implied warranty.

In the event of any warranty replacement, all removal, replacement and installation are the responsibility of the grill owner.

Saber reserves the right to replace any defective product with a product equal in value to the original purchase price. Warranty repair or replacement is at the sole discretion of Saber.

Dealers and Distributors may not, under any circumstances, adjust, alter or extend the conditions and terms of the original warranty.

Your Saber warranty does not cover the following:

- Labor charges related to installation or set-up, diagnosis of a problem, or repairs.
- Normal recommended routine maintenance and care.
- Damage resulting from accident, alteration, misuse, abuse, hostile environments, improper installation, or installation not in accordance with local, state and federal codes and regulations.
- The use of unauthorized or “universal” parts.
- Damage or corrosion caused by lack of maintenance, neglect in following the manufacturer’s care and usage instructions, grease fires, animals and insects.
- Any damage resulting from the commercial and or community use of this product.
- Retail display models are generally sold “AS IS.” If you have purchased a display model, please be advised that it is sold “AS IS” and that it is subject to the following warranty exclusions:
 - Any exterior or cosmetic damage is non-warrantable
 - Any missing components will be replaced at the consumer’s sole expense.

DISCLAIMER OF IMPLIED WARRANTIES AND LIMITATION OF REMEDIES

CUSTOMER’S SOLE AND EXCLUSIVE REMEDY UNDER THIS LIMITED WARRANTY SHALL BE PRODUCT REPAIR OR REPLACEMENT AS PROVIDED HEREIN. IMPLIED WARRANTIES, INCLUDING WARRANTIES OF MERCHANTABILITY OR FITNESS FOR A PARTICULAR PURPOSE, ARE EXCLUDED OR LIMITED TO ONE YEAR OR THE SHORTEST PERIOD ALLOWED BY LAW. SABER SHALL NOT BE LIABLE FOR INCIDENTAL OR CONSEQUENTIAL DAMAGES. SOME STATES OR PROVINCES DO NOT ALLOW THE EXCLUSION OR LIMITATION OF INCIDENTAL OR CONSEQUENTIAL DAMAGES, OR LIMITATIONS ON THE DURATION OF IMPLIED WARRANTY OF MERCHANTABILITY OR FITNESS, SO THESE EXCLUSIONS OR LIMITATIONS MAY NOT APPLY TO YOU. THIS WARRANTY GIVES YOU SPECIFIC LEGAL RIGHTS, AND YOU MAY ALSO HAVE OTHER RIGHTS WHICH CAN VARY FROM STATE TO STATE OR PROVINCE TO PROVINCE.

How to Obtain Warranty Service or Repair Parts:

Prior to contacting your dealer or calling us directly, please make sure your grill is registered. You can register your grill at: <http://www.sabergills.com/registration>.

Call your authorized Saber dealer. A list of Saber dealers and their contact information can be found at <http://www.sabergills.com>.

Utilize our online customer service at <http://www.sabergills.com/warranty service>.

Call Saber directly at 1-(888)-94S-ABER (947-2237). We look forward to assisting you!

Or write us at:

Saber®
Warranty Service
P. O. Box 1977
Columbus, GA. 31902

Please be prepared to furnish the following information: Purchaser's name, model and serial number of the grill, date of purchase and the accurate description of the problem.

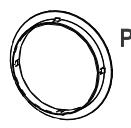
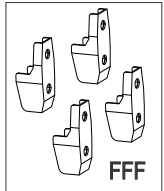
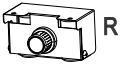
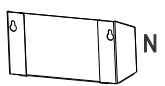
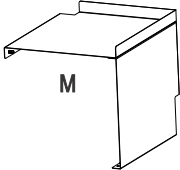
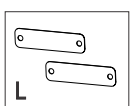
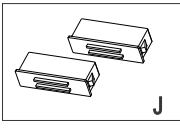
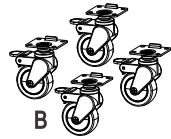
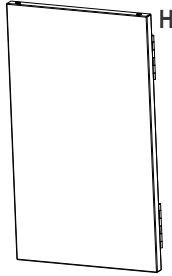
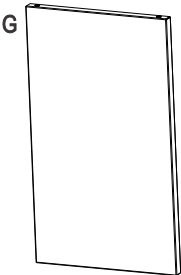
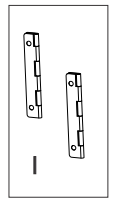
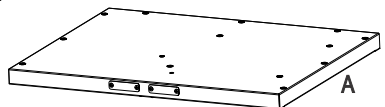
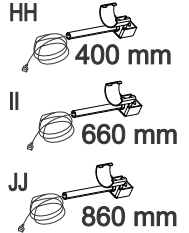
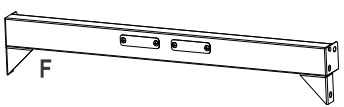
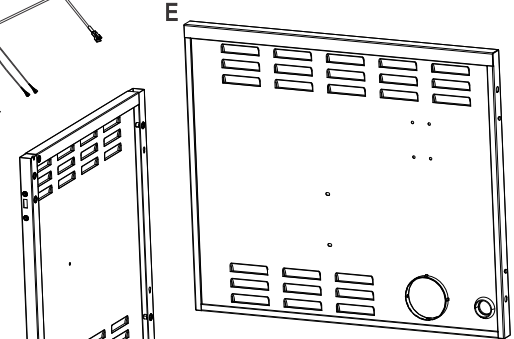
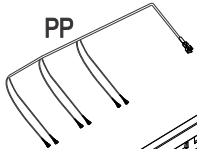
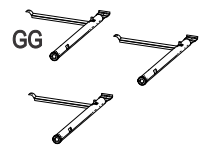
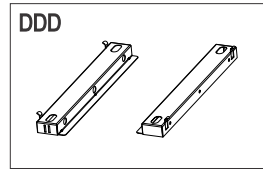
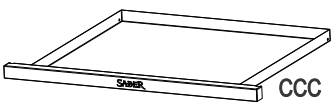
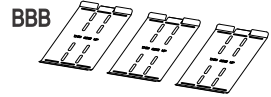
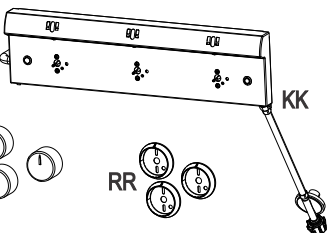
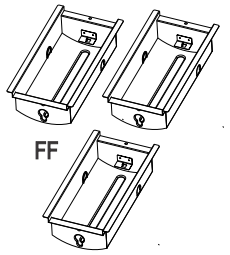
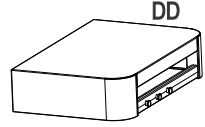
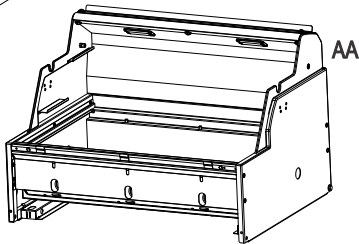
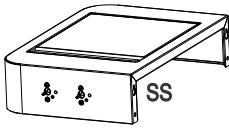
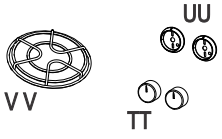
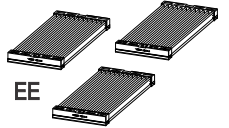
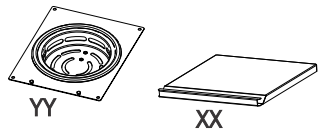
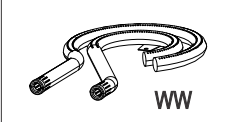
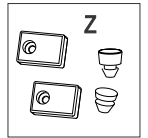
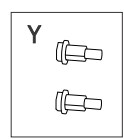
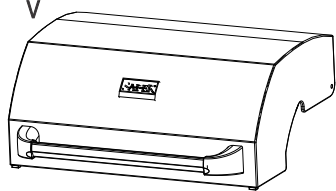
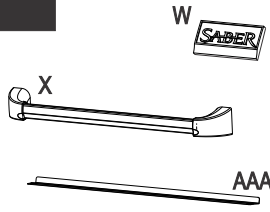
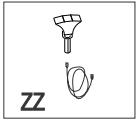
Date of Purchase:	
Dealer Where You Purchased Your Grill:	
Dealer Phone Number:	
Model Number: <i>(located on the cover of your instruction manual or rating label)</i>	
Serial Number: <i>(located on the cover of your instruction manual or rating label)</i>	

PARTS LIST

Key	Qty	Description
A	1	KIT, Bottom Shelf Assembly
B	4	Caster, Locking
C	1	Right Cart Panel
D	1	Left Cart Panel
E	1	Rear Cart Panel
F	1	Front Door Brace
G	1	KIT, Left Door w/ Hinges
H	1	KIT, Right Door w/ Hinges
I	2	KIT, Door Hinges (SET of 2)
J	2	KIT, Door Magnets (SET of 2)
K	1	Door Closer Bracket
L	2	KIT, Striker Plates (SET of 2)
M	1	KIT, Tank Exclusion Shelf
N	1	Condiment Basket
O	1	KIT, Handle for Door (SET of 2)
P	1	Grommet, for Light Cord
Q	1	Grommet, for NG Conversion Hose Hole
R	1	KIT, Ignition Module
S	1	KIT, Tank Tray
T	1	KIT, Transformer for Halogen Grill Light
U	1	Grate Cleaning Tool
V	1	KIT, Lid Assembly
W	1	KIT, Logo Plate
X	1	KIT, Lid Handle
Y	1	KIT, Lid Shoulder Bolt (SET of 2)
Z	1	KIT, Lid Stop, Silicone, (SET of 4)
AA	1	KIT, Firebox Assembly
BB	1	Warming Rack
CC	1	KIT, Light for Halogen Grill Light (SET of 2)
DD	1	KIT, Right Shelf Assembly w/ Tool Holders
EE	3	KIT, Cooking Grate with Emitter
FF	3	KIT, Burner Box
GG	3	KIT, Burner w/ Carryover
HH	1	Electrode w/ Ignition Wire, 400 mm
II	1	Electrode w/ Ignition Wire, 660 mm
JJ	1	Electrode w/ Ignition Wire, 860 mm
KK	1	KIT, Control Console, w/ Valve Assembly and Switches
LL	1	KIT, Ignition Switch Module w/ Wires
MM	1	Switch for Halogen/LED Grill Lights
NN	3	Temperature Gauge, UFC, w/ Clip
OO	3	LED Light
PP	1	LED Wire Harness
QQ	3	Control Knob
RR	3	KIT, Bezel
SS	1	KIT, Sideburner Shelf Assembly
TT	2	Control Knob, for Sideburner
UU	2	KIT, Bezel, for Sideburner
VV	1	Sideburner Grate, SS Wire
WW	1	KIT, Burners for Dual Sideburner
XX	1	KIT, Sideburner Lid
YY	1	Sideburner Pan with Lid Stop
ZZ	1	KIT, Electrode for Sideburner with Wire

Key	Qty	Description
AAA	1	KIT, Wind Deflector
BBB	3	KIT, Firebox Heat Shield
CCC	1	Grease Tray Assembly
DDD	1	KIT, Grease Tray Supports (SET of 2)
EEE	1	Match Holder w/ Chain
FFF	1	KIT, Firebox Mounting Posts (SET of 4)
GGG	1	KIT, Rotisserie Rod Brackets (SET of 2)
NOT PICTURED		
...	1	Hardware Pack
...	1	Assembly Guide, English/ Spanish/ French
...	1	Product Guide, English/ Spanish/ French
...	1	Grill Cover
...	1	KIT, Rotisserie
...	1	Rotisserie Rod

PARTS DIAGRAM



EMERGENCIES: If a gas leak cannot be stopped, or a fire occurs due to gas leakage, call the fire department.

Emergencies	Possible Cause	Prevention/Solution
Gas leaking from cracked/cut/burned hose.	Damaged Hose.	Turn OFF gas at LP cylinder. If anything got burned, replace valve/hose/regulator. If burned, discontinue use of product until a plumber has investigated cause and corrections are made.
Gas leaking from LP cylinder.	Mechanical failure due to rusting or mishandling.	Replace LP cylinder.
Gas leaking from LP cylinder valve.	Failure of cylinder valve from mishandling or mechanical failure.	Turn OFF LP cylinder valve. Return LP cylinder to gas supplier.
Gas leaking between LP cylinder and regulator connection.	Improper installation, connection not tight, failure of rubber seal.	Turn OFF LP cylinder valve. Remove regulator from cylinder and visually inspect rubber seal for damage. See LP Cylinder Leak Test and Connecting Regulator to the LP Cylinder.
Fire coming through control panel.	Fire in burner tube section of burner due to blockage.	Turn control knobs to OFF and LP cylinder valve OFF . Leave lid open to allow flames to die down. After fire is out and grill is cold, remove burner and inspect for spider nests or rust. See Natural Hazard and Cleaning the Burner Assembly pages.
Grease fire or continuous excessive flames above cooking surface.	Too much grease buildup in burner area.	Turn control knobs to OFF and LP cylinder valve OFF . Leave lid open to allow flames to die down. After cooling, clean food particles and excess grease from inside firebox area, grease tray and other surfaces.

Troubleshooting

Problem	Possible Cause	Prevention/Solution
Burner(s) will not light using ignitor. See Electronic Ignition Troubleshooting also.) <i>Continued on next page.</i>	GAS ISSUES:	
	Trying to light wrong burner.	See instructions on door panel and in Use and Care section.
	Burner not engaged with control valve.	Make sure valves are positioned inside of burner tubes.
	Obstruction in burner.	Ensure burner tubes are not obstructed with spider webs or other matter. See cleaning section of Use and Care.
	No gas flow.	Make sure LP cylinder is not empty. If LP cylinder is not empty, refer to "Sudden drop in Gas Flow."
	Vapor lock at coupling nut to LP cylinder.	Turn control knobs to OFF and disconnect coupling nut from LP cylinder. Wait 30 seconds, reconnect and retry.
	Coupling nut and LP cylinder valve not fully connected.	Turn the coupling nut approximately one-half to three-quarters additional turn until solid stop. Tighten by hand only-do not use tools.
	ELECTRICAL ISSUES:	
Electrode cracked or broken; "sparks at crack."	Replace electrode(s).	
Electrode tip not in proper position.	Tip of electrode should be pointing toward gas port opening on burner. The distance should be 1/8" to 1/4". Adjust if necessary.	
Wire and/or electrode covered with cooking residue.	Clean wire and/or electrode with rubbing alcohol and clean swab.	

Troubleshooting (continued)

Problem	Possible Cause	Prevention/Solution
Burner(s) will not light using ignitor. (See Electronic Ignition Troubleshooting also). <i>Continued.</i>	<p>ELECTRICAL ISSUES CON'T.:</p> <p>Wires are loose or disconnected.</p> <p>Wires are shorting (sparking) between ignitor and electrode.</p> <p>Dead battery.</p> <p>ELECTRONIC IGNITION:</p> <p>No spark, no ignition noise.</p> <p>No spark, some ignition noise.</p> <p>Sparks, but not at electrode or at full strength.</p>	<p>Reconnect wires or replace electrode/wire assembly.</p> <p>Replace ignitor wire/electrode assembly.</p> <p>Replace with a new alkaline battery.</p> <p>See Section I of Electronic Ignition System.</p> <p>See Section II of Electronic Ignition System.</p> <p>See Section III of Electronic Ignition System.</p>
Burner(s) will not match light.	<p>See "GAS ISSUES:" on previous page.</p> <p>Match will not reach</p> <p>Improper method of match-lighting.</p>	<p>Use long-stem match (fireplace match)</p> <p>See "Match-Lighting" section of Use and Care.</p>
Sudden drop in gas flow or low flame.	<p>Out of gas.</p> <p>Excess flow valve tripped.</p> <p>Vapor lock at coupling nut/LP tank connection.</p>	<p>Check for gas in LP tank.</p> <p>Turn control knobs to OFF, wait 30 seconds and light grill. If flames are still low, turn off knobs and LP tank valve. Disconnect regulator. Reconnect regulator and leak-test. Turn on LP tank valve, wait 30 seconds and then light grill.</p> <p>Turn off knobs and LP tank valve. Disconnect coupling nut from tank. Reconnect and retry.</p>
Flames blow out.	<p>High or gusting winds</p> <p>Low on LP gas.</p> <p>Excess flow valve tripped.</p>	<p>Turn front of grill to face wind or increase flame height.</p> <p>Refill LP tank.</p> <p>Refer to "Sudden drop in gas flow" above.</p>
Flare-up.	<p>Grease buildup.</p> <p>Excessive fat in meat.</p> <p>Excessive cooking temperature.</p>	<p>Clean burners and inside of grill/firebox.</p> <p>Trim fat from meat before grilling.</p> <p>Adjust (lower) temperature accordingly.</p>
Persistent grease fire	<p>Grease trapped by food buildup around burner system.</p>	<p>Turn knobs to OFF. Turn gas off at LP tank. Leave lid in position and let fire burn out. After grill cools, remove and clean parts.</p>
Flashback (fire in burner tube(s)).	<p>Burner and/or burner tubes are blocked.</p>	<p>Turn knobs to OFF. Clean burner and/or burner tubes. See burner cleaning section of Use and Care manual.</p>
Unable to fill LP tank.	<p>Some dealers have older fill nozzles with worn threads.</p>	<p>The worn nozzles don't have enough "bite" to engage valve. Try a second LP dealer.</p>
One burner does not light from other burner(s).	<p>Grease buildup or food particles in end(s) of carryover tube(s).</p>	<p>Clean carryover tube(s) with a wire brush.</p>

Troubleshooting - Electronic Ignition

Problem (Ignition)	Possible Cause	Check Procedure	Prevention/Solution
SECTION I No sparks appear at any electrodes when Electronic Ignition Button is pressed; no noise can be heard from spark module.	Battery not installed properly. Dead battery. Button assembly not installed properly. Faulty spark module. Switch wires disconnected.	Check battery orientation. Has battery been used previously? Check to ensure threads are properly engaged. Button should travel up and down without binding. If no sparks are generated with new battery and good wire connections, module is faulty. Check to ensure switch wires are connected.	Install battery (make sure that “+” and “-” connectors are oriented correctly, with “+” end up and “-” end down). Replace battery with new alkaline battery. Remove battery cap and reinstall, making sure it can be fully engaged. Replace spark module. Reconnect switch wires.
SECTION II No sparks appear at any electrodes when Electronic Ignition Button is pressed; noise can be heard from spark module.	Output lead connections not connected.	Are output connections on and Tight?	Remove and reconnect all output connections at module and electrodes.
SECTION III Sparks are present but not at all electrodes and/or not at full strength.	Output lead connections not connected. Arcing to grill away from burner(s). Weak battery. Electrodes are wet. Electrodes cracked or broken “sparks at crack”.	Are output connections on and tight? If possible, observe grill in dark location. Operate ignition system and look for arcing between output wires and grill frame. All sparks present but weak or at slow rate. Has moisture accumulated on electrode and/or in burner ports? Inspect electrodes for cracks.	Remove and reconnect all output connections at module and electrodes. If sparks are observed other than from burner(s), wire insulation may be damaged. Replace wires. Replace battery with a new alkaline battery. Use paper towel to remove moisture. Replace cracked or broken electrodes.

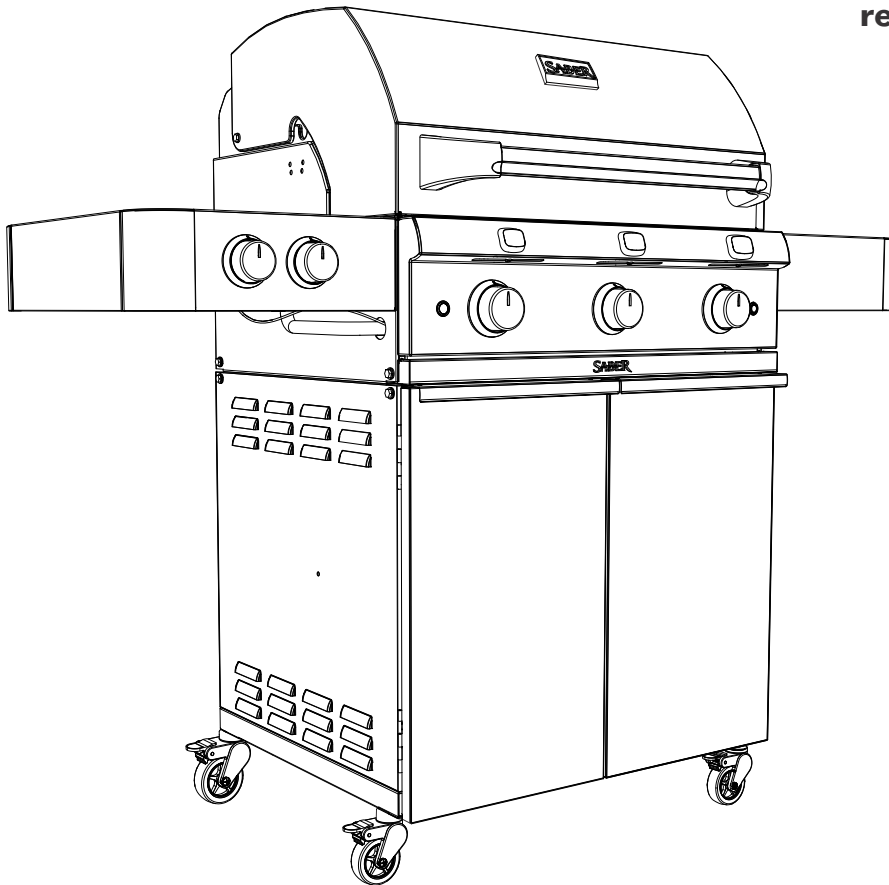
Troubleshooting - LED Lights

Problem (Lights)	Possible Cause	Check Procedure	Prevention/Solution
LED lights do NOT illuminate when light switch is pressed ON, but LED light switch illuminates.	<p>LED wires disconnected.</p> <p>Faulty LED light(s).</p>	<p>Check to ensure that wires at each LED spade terminal are firmly connected and not loose behind control panel.</p> <p>If good connection at LED, and other LED lights are operational, then bad LED.</p>	<p>Reconnect wires at spade connectors on the LED. If wires will not stay attached and are loose, contact Saber for warranty replacement parts.</p> <p>Contact Saber for a warranty replacement part.</p>
LED lights do NOT illuminate when light switch is pressed ON, AND LED light switch does NOT illuminate.	<p>Transformer lead wires disconnected (if used).</p> <p>Switch wire harness disconnected.</p>	<p>Check that transformer output connector is engaged and locked with no loose wires at the connectors.</p> <p>Check that the switch wire harness is connected properly to back of switch.</p>	<p>Reconnect the transformer wire connectors. If wires pull loose from the connectors, contact Saber for warranty replacement parts.</p> <p>Reconnect switch wire harness to switch ensuring that harness locks to switch.</p>
LED lights DO illuminate when light switch is pressed ON, but LED light switch does NOT illuminate.	Bad LED light switch.	Switch wire harness is attached and LED lights illuminate.	Contact Saber for a warranty replacement part.

SABER[®]

GUÍA DEL PRODUCTO MODELO R50SC1417

IMPORTANTE: Llene la información de registro del producto a continuación.



Coloque la
etiqueta del número
de serie aquí

Número de serie

Fecha de compra

Si tiene preguntas o necesita
ayuda durante el montaje,
llame a

1-888-94-SABER

1-888-947-2237

**VISITE SABERGRILLS.COM PARA OBTENER
RECOMENDACIONES DE INICIO, RECETAS, SOPORTE
Y REGISTRAR EL PRODUCTO**



PARA CONVERSIÓN DE GAS NATURAL:

Se debe usar el paquete de conversión para gas natural A00AA5417.
Se vende por separado.

TABLA DE CONTENIDO

Para su seguridad	2-3
Uso y Cuidado	3-9
Grill Operación Luz	10-11
Garantía limitada	12-14
Lista de piezas	15
Diagrama de las partes	16
Solución de problemas	17-20

Símbolos de seguridad

Los símbolos y las casillas ilustradas más adelante explican lo que significa cada encabezado. Lea y cumpla lo indicado en los mensajes que se encuentran en todo el manual.



PELIGRO: Indica una situación peligrosa inminente que, de no evitarse, ocasionará la muerte o lesiones graves.



ADVERTENCIA: Indica una situación potencialmente peligrosa que, de no evitarse, podría causar la muerte o lesiones graves.



ADVERTENCIA: Indica una situación potencialmente peligrosa o una práctica insegura que, de no evitarse, podría causar lesiones leves o menores.



Si siente olor a gas:

1. Cierre el paso de gas al aparato.
2. Apague toda llama al descubierto.
3. Abra la tapa.
4. Si el olor continúa, guarde lejos de la aplicación y llame inmediatamente su surtidor del gas o su cuerpo de bomberos.



1. No guarde ni use gasolina ni otros gases o líquidos inflamables cerca de éste ni de cualquier otro aparato.
2. No guarde un tanque de gas propano, que no esté conectado, cerca de éste ni de cualquier otro aparato.



Sólo para uso particular. No lo use para fines comerciales.

ESTA PARRILLA SOLO SE PUEDE USAR EN EXTERIORES.

ADVERTENCIA:

Antes de empezar a ensamblar la parrilla y siga todas las indicaciones de seguridad, las instrucciones de ensamblado y las instrucciones de uso y de cuidado.

A LA PERSONA QUE INSTALE O ENSEMBLE ESTA PARRILLA:

Deje este manual al cliente.

AL CONSUMIDOR:

Conserve este manual para que lo pueda consultar en el futuro.

ADVERTENCIA:

El no cumplir con todas las instrucciones del fabricante puede ocasionar lesiones graves y/o daños materiales.

ADVERTENCIA:

Ciertas partes pueden tener bordes cortantes, ¡Especialmente las indicadas en el manual! Si es necesario, use guantes protectores.



PROPOSICION 65 DEL ESTADO DE CALIFORNIA

1. En el estado de California se sabe que los subproductos de la combustión, que se producen al usar este producto, contienen sustancias químicas que causan cáncer, defectos congénitos u otras lesiones al aparato reproductor.
2. Este producto contiene sustancias químicas, incluyendo el plomo y compuestos de plomo, que en el estado de California se sabe que las causan cáncer, defectos congénitos u otras lesiones al aparato reproductor.

Lávese las manos después de manipular este

USO Y MANTENIMIENTO

Medidas de seguridad para la instalación

- Utilice la parrilla, tal como se compró, sólo con LP (propano), el gas y el regulador / válvula de montaje suministrado. Si su parrilla es de doble combustible listo, un kit de conversión debe ser adquirido para su uso con gas natural.
- La instalación de la parrilla debe cumplir con las disposiciones de los códigos locales, o, en su defecto, con el **National Fuel Gas Code (o Código nacional sobre gases combustibles), y las normas NFPA 54 / ANSI Z223.1 y Natural Gas and Propane Installation Code (Código de la instalación del gas natural y del propano), CSA B149.1**. El manejo y el almacenamiento de los cilindros de gas propano se debe realizar de conformidad con el código sobre gas propano **NFPA/ANSI 58**. No se debe usar la parrilla en vehículos de recreo ni en embarcaciones.
- Todos los accesorios eléctricos (tal como el asador) deben estar conectados a tierra de conformidad con los códigos locales, o con el **National Electrical Code (Código nacional sobre electricidad), ANSI / NFPA 70**. Mantenga todo cable eléctrico o tubería de suministro de combustible alejados de las superficies calientes.
- Esta parrilla únicamente cuenta con la certificación de seguridad para ser usada en los Estados Unidos. No la modifique para usarla en ningún otro lugar. Cualquier modificación puede poner en peligro su seguridad.
- El regulador de presión y manguera suministrado debe ser utilizado y los reemplazos deben ser los especificados por el fabricante del aparato.

!ADVERTENCIA!

No intente reparar ni modificar la unidad de la manguera/la válvula/el regulador debido a un "supuesto" defecto. Toda modificación a esta unidad anulará la garantía y creará el riesgo de una fuga de gas e incendio. Use únicamente repuestos autorizados, suministrados por el fabricante.

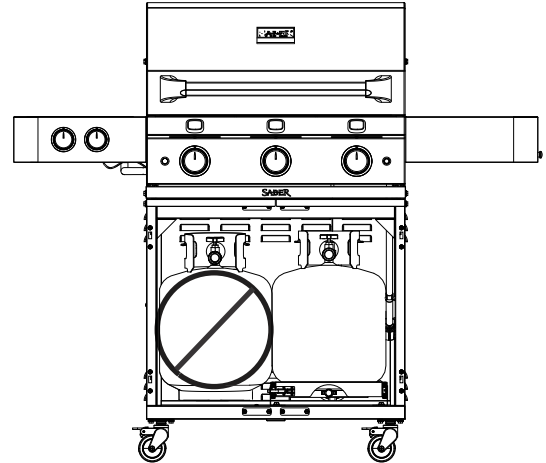
!ADVERTENCIA!

El uso de macetas de más de 15 cuartos de la capacidad podría superar límite de peso de lado el quemador plataforma o lado plataforma lo que resulta en el fracaso de la parrilla carrito componentes.



!PELIGRO!

- **NUNCA** guarde los cilindros de gas de repuesto debajo del aparato, cerca del mismo, ni en áreas



- Nunca cargue el tanque con más del 80% de su capacidad.
- Los tanques de gas propano de repuesto sobrecargados o mal llenados son peligrosos, ya que la válvula de seguridad puede dejar salir gas. Esto puede provocar incendios intensos que pueden causar daños materiales, lesiones graves o la muerte.
- Si observa, huele o escucha una fuga de gas, aléjese de inmediato del cilindro y del aparato, y llame a los bomberos.

Remoción, transporte y almacenamiento del tanque de gas propano

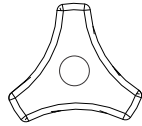
- CIERRE todas las perillas de control y la válvula del tanque. Gire la tuerca de unión en sentido contrario a las agujas del reloj, a mano solamente; no use herramientas para desconectarla. Afloje el tornillo del tanque que se encuentra por debajo del estante inferior, y luego levante el tanque y sáquelo del carro. Instale la tapa de seguridad en la válvula del tanque de gas. Use siempre la tapa y la correa que vienen con la válvula. **Si la tapa de seguridad no se usa tal como se indica, esto puede ocasionar lesiones o daños materiales graves.**
- Los tanques de gas desconectados, guardados o en transporte, deben tener instalada la tapa de seguridad (como se ilustra). No guarde el tanque de gas en sitios cerrados, tales como cocheras, garajes, porches, patios techados u otras edificaciones.



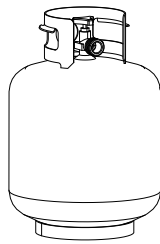
Tira de sujeción

Tanque de gas propano

- El tanque de gas que use con su parrilla debe cumplir los siguientes requisitos:
- Use únicamente tanques de gas que tengan las siguientes medidas obligatorias: 12 PULGADAS (30.5 cm) (diámetro) x 18 PULGADAS (45.7 cm) (altura), con una capacidad máxima de 20 lb. (9 kg).
- Los tanques de gas propano deben ser fabricados y codificados según las especificaciones para tanques de gas propano del Departamento de Transporte de los Estados Unidos (DOT), o en Canadá, según las normas CAN/CSA-B339, sobre cilindros, esferas y tubos para el transporte de mercancías peligrosas del Ministerio de Transportes de Canadá (CT). El código se encuentra en el collarín del tanque de gas.
- La válvula del tanque de gas debe tener:
 - Una salida de tipo 1, compatible con el regulador o la parrilla.
 - Una válvula de paso de seguridad.
 - Un dispositivo de seguridad volumétrica (OPD por sus siglas en inglés) certificado por UL. Esta característica de seguridad OPD se identifica mediante una manilla de forma triangular. **Use únicamente tanques equipados con válvulas de este tipo.**
- El tanque de gas debe tener un dispositivo de extracción del vapor y venir con un collarín para proteger su válvula. Siempre mantenga los tanques de gas en posición vertical durante su uso, su transporte o su almacenamiento.



Manilla del dispositivo de seguridad volumétrica



Tanque de gas en posición vertical para extraer el vapor

El gas propano (GLP)

- Es atóxico, inodoro e incoloro en el momento en que se produce. **Para su seguridad**, al gas propano se le ha incorporado un olor (parecido al de la col podrida), de modo que se pueda oler.
- El gas propano es sumamente inflamable y se puede encender en forma inesperada al mezclarse con el aire.

Carga de los tanques de gas propano

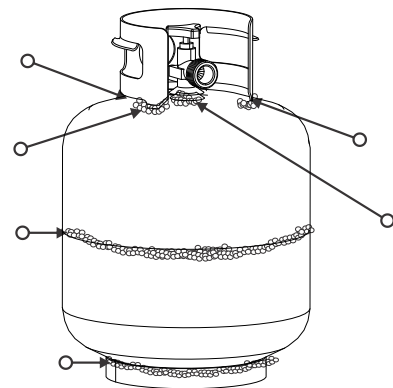
- Recorra solamente a vendedores autorizados y con experiencia.
- El vendedor de gas debe **purgar el tanque nuevo** antes de cargarlo.
- El vendedor no debe cargar **NUNCA** el tanque de gas con más del 80% de su volumen. El volumen de propano en el tanque puede variar con la temperatura.
- Si el regulador está empañado, eso indica que el tanque está sobrecargado. Cierre de inmediato la válvula del tanque y solicite ayuda del vendedor de gas propano.
- No deje escapar gas propano a la atmósfera. Ésta es una práctica peligrosa.
- Solicite ayuda del vendedor de propano o de los bomberos, para vaciar el gas de su tanque. Identifique a los vendedores autorizados de propano de su región en la sección de "compañías de gas" de la guía telefónica.

Cambio del tanque de gas

- Muchos comerciantes minoristas que venden parrillas, le ofrecen la opción de cambiar su tanque de gas vacío mediante un servicio de recambio. Emplee únicamente empresas de recambio de buena reputación, que inspeccionen, carguen con precisión, verifiquen y certifiquen sus cilindros. **Cambie su tanque sólo por otros tanques equipados con el dispositivo de seguridad volumétrica que se describe en la sección de tanques de gas de este manual.**
- Siempre mantenga los tanques de gas, nuevos y de repuesto, en posición vertical durante su uso, su transporte o su almacenamiento.
- **Verifique que el tanque de gas, nuevo o de recambio, no tenga fugas ANTES de conectarlo a la parrilla.**
- Coloque la tapa para el polvo sobre la salida de la válvula del tanque de gas cuando no lo use. Instale únicamente el tipo de tapa para el polvo que viene con la válvula del tanque. Los otros tipos de tapas o tapones pueden dejar escapar el gas propano.

Prueba para detectar fugas del tanque de gas propano Por su propia seguridad

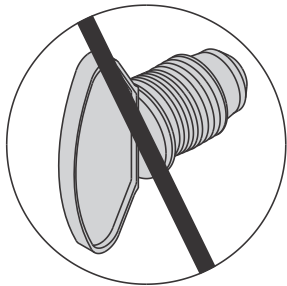
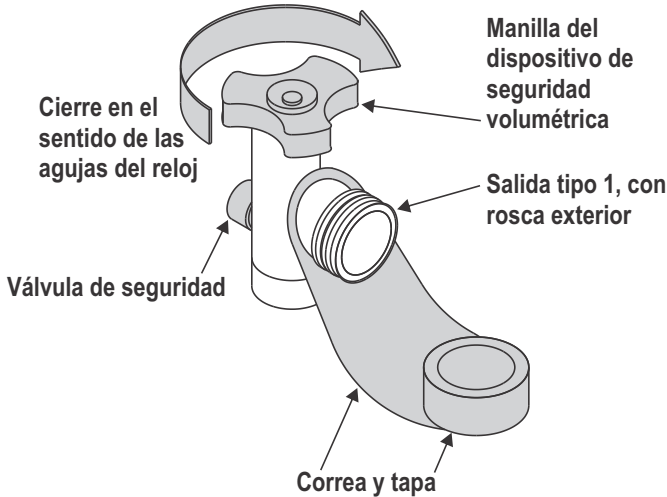
- Se debe efectuar la prueba para detectar fugas cada vez que se cambie o se recargue el tanque.
 - No fume durante la prueba para detectar fugas.
 - No use una llama al descubierto para comprobar si el tanque tiene fugas.
 - La prueba para detectar fugas de la parrilla se debe efectuar al aire libre, en un área bien ventilada, alejada de toda fuente de ignición tal como los artefactos a gas o eléctricos. Durante la prueba para detectar fugas, mantenga la parrilla alejada de las llamas al descubierto o de las chispas.
 - Use una brocha de pintura limpia y una solución de 50/50 de agua y jabón suave. Pinte con la solución jabonosa las áreas indicadas por las flechas en la ilustración que sigue.
- ▲ No use productos de limpieza del hogar. Esto puede dañar los componentes del circuito de gas.



	ADVERTENCIA	
Si aparecen burbujas que aumentan de tamaño, no use ni mueva el tanque de gas. ¡Comuníquese con el proveedor de gas propano o con los bomberos!		

Como conectar el regulador al tanque de gas propano

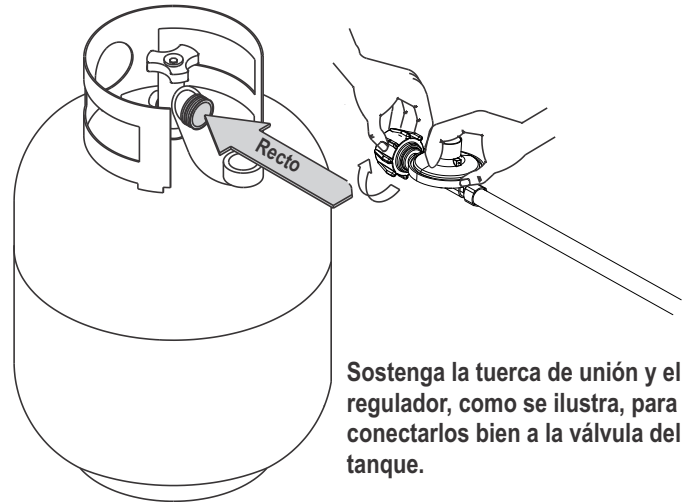
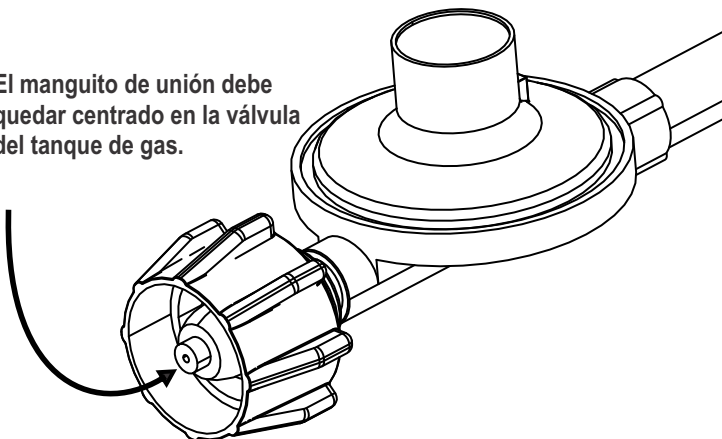
- 1.El tanque de gas debe quedar bien fijado a la parrilla. (Lea la sección de ensablado.)
- 2.Gire todas las perillas de control a la posición APAGADO (OFF).
- 3.CIERRE el tanque de gas, girando la manilla de la válvula en el sentido de las agujas del reloj, hasta que se detenga.
- 4.Retire la tapa protectora de la válvula del tanque de gas. Use siempre la tapa y la correa que vienen con la válvula.



¡No use un tapón POL para transporte (la pieza de plástico con roscas en el exterior)! Anulará la característica de seguridad de la válvula.

- 5.Sostenga el regulador e inserte el manguito de unión en la válvula del tanque de gas. Apriete a mano la tuerca de unión, mientras sostiene el regulador en línea recta con la válvula del tanque, para no saltar ninguna rosca de la conexión.

El manguito de unión debe quedar centrado en la válvula del tanque de gas.



- 6.Gire la tuerca de unión en el sentido de las agujas del reloj, apretándola hasta que no se mueva más. El regulador formará un sello en el dispositivo de seguridad de la válvula del tanque, lo que creará cierta resistencia. **Se deberá hacer girar la tuerca entre un cuarto y tres cuartos de vuelta adicionales, para completar la conexión. Apriétela a mano, no use herramientas.**

NOTA: Si no puede completar la conexión, desconecte el regulador repita los pasos 5 y 6. Si a pesar de haberlo hecho, todavía no puede completar la conexión, **¡no use este regulador!**



PELIGRO



- No introduzca ninguna herramienta ni ningún objeto extraño en la salida de la válvula ni en la válvula de seguridad. Puede dañarla y causar una fuga. Las fugas de gas propano pueden causar explosiones, incendios, lesiones graves o la muerte.



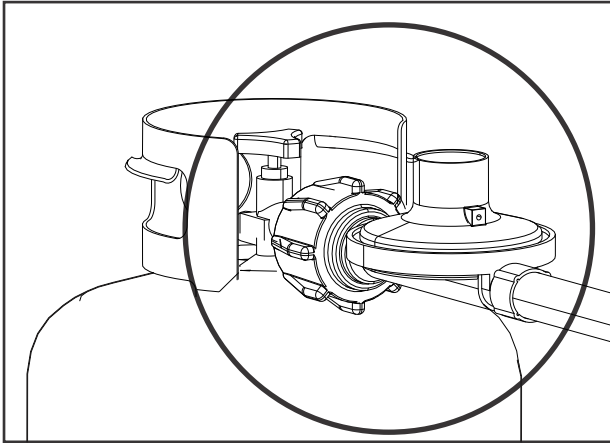
ADVERTENCIA



- El aparato a gas para uso al aire libre no ha sido diseñado para ser instalado en embarcaciones..
- El aparato a gas para uso al aire libre no ha sido diseñado para ser instalado en vehículos de recreo.
- Nunca trate de conectar esta parrilla al sistema de gas propano independiente de un remolque de recreo o de una casa rodante.
- No use la parrilla sin antes haber verificado que no tenga fugas.
- En caso de detectar una fuga en cualquier momento, **DETÉNGASE** y llame a los bomberos.
- Si no puede detener una fuga de gas, ¡cierre de inmediato la válvula del tanque de gas y llame al distribuidor o a los bomberos!

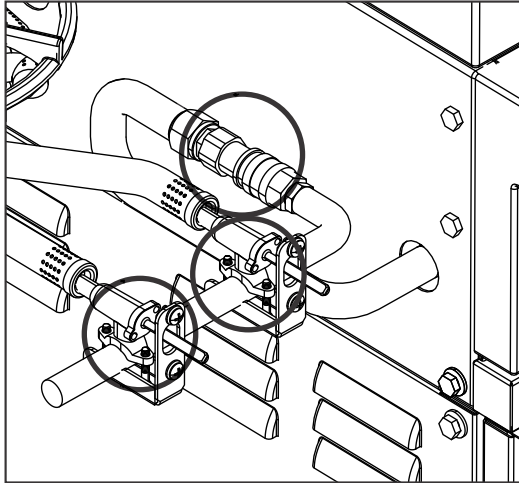
Prueba contra fugas de válvulas, mangueras y regulador

1. Gire todas las perillas de control a la posición de apagado (OFF).
2. Asegúrese de que el regulador esté bien apretado en el tanque de gas LP.
3. Para abrir completamente la válvula del tanque de gas, gire la rueda manual en sentido contrario a las manecillas del reloj. Si escucha un **ruido precipitado**, apague el gas inmediatamente. Existe una fuga grande en la conexión; **corrijala antes de proceder**.
4. Aplique solución jabonosa en las áreas marcadas con el círculo a continuación, o en otras conexiones similares en el asador.



NOTA:

No se muestra la protección de la repisa del quemador lateral para mayor claridad.

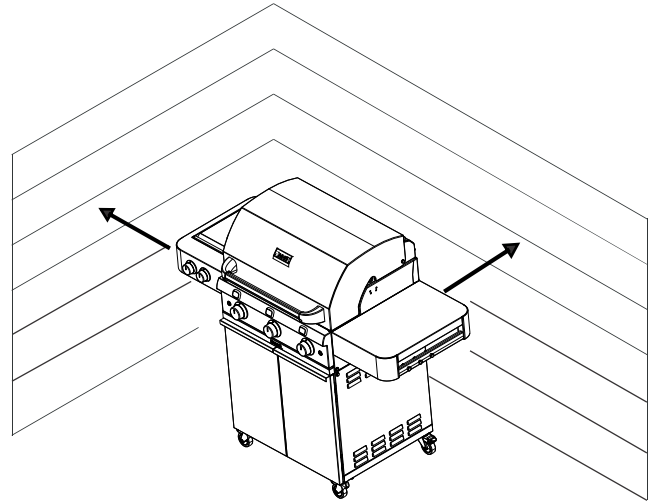


5. Si aparecen burbujas que aumentan de tamaño, hay una fuga. Cierra la válvula del tanque inmediatamente y vuelva a apretar las conexiones. **Si no puede detener la fuga, no trate de repararla**; solicite piezas de reemplazo.
6. Cierre siempre la válvula del tanque después de hacer la prueba de fuga al girar la rueda manual en sentido de las manecillas del reloj.



Para usar el asador en forma segura y evitar lesiones serias:

- No permita a los niños usar o jugar cerca del asador.
- Mantenga el área del asador libre y sin materiales inflamables.
- No obstruya los orificios de los lados o parte posterior del asador.
- Revise las flamas del quemador regularmente.
- Use el asador solamente en un lugar bien ventilado. **NUNCA lo use en un espacio cerrado tal como un cobertizo para coches, cochera o patio techado, ni debajo de ninguna construcción de ningún tipo.**
- No use carbón ni mecheros de cerámica en un asador de gas.
- **Use el asador por lo menos a un metro de distancia de cualquier pared o superficie. Deje un espacio libre de tres metros de los objetos que pueden incendiarse o de fuentes de ignición tales como pilotos de calentadores de agua, aparatos eléctricos conectados, etc.**



Personas que viven en departamentos:

- Pregunte en la administración para saber los requerimientos y normas contra incendio para usar asadores de gas LP en el complejo de departamentos. Si está permitido, use el exterior del primer piso y deje un espacio libre de un metro de las paredes o barandales. No lo use en o debajo de balcones.
- **NUNCA** intente encender el quemador con la tapa cerrada. La acumulación de gas sin quemarse dentro de un asador cerrado es peligrosa.
- Nunca encienda el asador con el tanque de gas fuera de su posición correcta como se especifica en las instrucciones de armado.
- Cierre siempre la válvula del tanque de gas y retire la tuerca de conexión antes de retirar el tanque de gas de la posición de uso correcto.





APAGUE los controles y cierre el tanque de gas cuando no lo use.

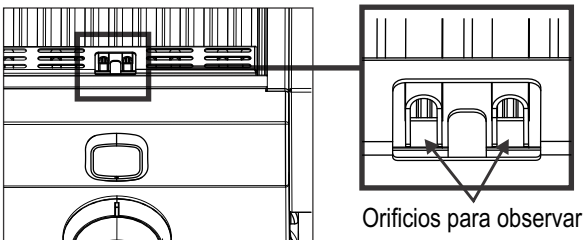
Consejos de seguridad

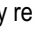
- Antes de abrir la válvula del tanque de gas, verifique que la tuerca de conexión esté bien apretada.
- Cuando no use el asador, cierre las perillas de control y la válvula del tanque de gas.
- Nunca mueva el asador cuando esté siendo usado o cuando esté aún caliente.
- Use utensilios de cocina de mango largo y guantes para horno para evitar quemaduras y salpicaduras.
- La carga máxima para el quemador y repisa laterales es de 4.5 kg.
- La charola para grasa **debe** insertarse en el asador y vaciarse después de cada uso. No retire la charola para grasa hasta que el asador esté completamente frío.
- Limpie el asador con frecuencia, de preferencia cada vez después de cocinar. Si utiliza un cepillo de cerdas para limpiar cualquiera de las superficies de cocinar del asador, asegúrese de no dejar cerdas en dichas superficies antes de asar. No se recomienda limpiar las superficies de cocinar cuando el asador está caliente.
- Si observa grasa u otro material caliente que gotea hacia la válvula, manguera o regulador, cierre el gas de inmediato. Encuentre la causa, corrijala y luego limpie e inspeccione la válvula, la manguera y el regulador antes de continuar. Realice una prueba para detectar fugas.
- Mantenga libres y sin residuos las aberturas de ventilación en el recinto del tanque de gas (carrito de la parrilla).
- No guarde dentro del carrito del asador objetos ni materiales que pudieran obstruir el flujo del aire de combustión hacia la parte inferior del panel de control o hacia el fogón.
- El regulador puede producir un zumbido o silbido cuando está funcionando. Esto no afecta la seguridad o uso del asador.
- Si tiene algún problema con el asador, consulte la sección de *solución de problemas*.
- Si el regulador se congela, cierre la válvula del tanque de gas inmediatamente. Esto indica que hay un problema con el tanque y que no debe usarse con ningún producto. Devuelva el tanque al proveedor.

Encendido del quemador principal

NO se apoye en el asador mientras lo enciende.

1. **Apague** todas las perillas de control .
2. **ABRA** el gas en el tanque de gas LP.
3. **Abra la tapa durante el encendido.**
4. Para encender, presione y gire la perilla de control a la posición .
5. Presione y mantenga así el botón **"ELECTRONIC IGNITION"** (**Encendido electrónico**) hasta que el quemador se encienda (use los orificios de observación de la flama para verificar).



6. Si **NO** se enciende en cinco segundos, gire la perilla de control a la posición , espere cinco minutos y repita el procedimiento de encendido.
7. Encienda los quemadores restantes repitiendo los pasos 4 a 6 para cada quemador.
8. Una vez que el quemador se encienda, gire las perillas de control hasta el punto que desee.







Si **NO** se enciende en cinco segundos, gire la perilla de control a la posición **"OFF"** (APAGADO), espere cinco minutos y repita el procedimiento de encendido. Si el quemador no enciende con la válvula abierta, el gas continuará llegando hasta el quemador y podría incendiarse accidentalmente y posiblemente causar lesiones.

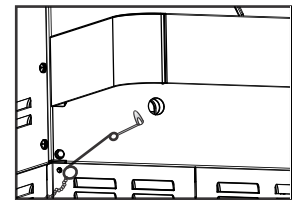


- No es posible apagar el fuego causado por la grasa al cerrar la tapa. Los asadores están bien ventilados por razones de seguridad.
- No use agua para tratar de apagar el fuego causado por la grasa. Esto podría resultar en lesiones personales. Si se presenta fuego debido a la grasa, apague las perillas y cierre el tanque de gas.
- No deje el asador solo mientras precalienta o quema residuos de comida en la posición **HI**. Si el asador no se ha limpiado regularmente, podría ocurrir fuego debido a la grasa que podría dañar el producto.

Encendido del quemador principal con cerillos



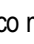
NO se apoye en el asador mientras lo enciende.

1. **Cierre** todas las perillas de control .
2. **Abra** el tanque de gas LP.
3. **Abra la tapa durante el encendido.**
4. Coloque el cerillo en el portacerillos (que cuelga por el lado izquierdo del carrito). Encienda el cerillo y colóquelo en el orificio de encendido en el lado izquierdo del fogón.
5. Presione y gire la perilla de control del extremo izquierdo a la posición . Una vez que se encienda el quemador (verifique a través de los orificios para ver la flama), gire la perilla de control a la posición que desee.
6. Si **NO** se enciende en cinco segundos, gire la perilla de control a la posición , espere cinco minutos y repita el procedimiento de encendido.
7. Encienda los quemadores adyacentes en secuencia presionando la perilla de control y girándola a la posición .






Encendido del quemador lateral

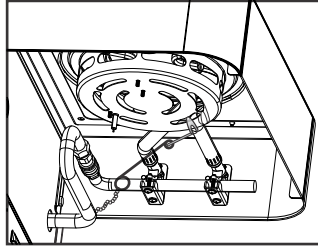
NO se apoye en el asador mientras lo enciende.

1. Cierre  todas las perillas de control.
2. Abra el tanque de gas LP.
3. Abra la tapa del quemador lateral durante el encendido.
4. Para encender, presione y gire la perilla de control del quemador lateral a la posición .
5. Presione y mantenga así el botón **"ELECTRONIC IGNITION"** (**Encendido electrónico**) hasta que el quemador se encienda (use los orificios de observación de la flama para verificar).
6. Si el encendido **NO** ocurre dentro de cinco segundos, apague las perillas de control , espere cinco minutos y repita el procedimiento de encendido.
7. Repita los pasos 4 a 6 para el segundo quemador.

Encendido del quemador lateral con cerillos

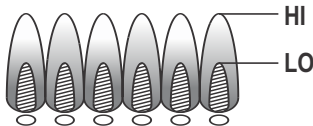
NO se apoye en el asador mientras lo enciende.

1. **Cierre** todas las perillas de control .
2. **Abra** el tanque de gas LP.
3. **Abra la tapa durante el encendido.**
4. Coloque el cerillo cerca de la abertura inferior de la charola del quemador.
5. Presione y gire la perilla de control del quemador que va a encender a la posición . Asegúrese de que el quemador permanezca encendido.
6. Encienda el quemador adyacente presionando y girando la perilla a la posición .




Verificación de la flama del quemador

- Retire las parrillas y emisores de cocción. Encienda los quemadores y gire las perillas de control de **HI** a **LO**. Deberá ver una flama más pequeña en la posición **LO** que en la posición **HI**. También realice la verificación del quemador lateral. Revise la flama siempre antes de cada uso. Si solamente ve una flama baja, consulte "Caída repentina o flama baja" en la sección de *solución de problemas*.



Apagado del asador

- Gire todas las perillas de control a la posición  (OFF). Coloque el tanque de gas en la posición de **apagado** (OFF) girando la rueda manual en sentido de las manecillas del reloj hasta que se detenga por completo.

Revisión del encendedor

- Cierre el tanque de gas.** Mantenga pulsado el botón de encendido electrónico. "Click" deben ser escuchadas y ver chispas cada vez, entre la caja de recolección o el quemador y el electrodo. Consulte "Solución de problemas" si no clic o chispa.

Revisión de las válvulas

- IMPORTANTE: Asegúrese de que el gas esté cerrado en el tanque antes de revisar las válvulas.** Las perillas de control se bloquean en la posición de **apagado** (OFF). Para revisar las válvulas, primero presione las perillas y luego suéltelas. Estas deberán volver a saltar. Si no vuelven a saltar, reemplace el conjunto de la válvula antes de usar el asador. Gire las perillas de control a la posición **LO** y luego regréselas a la posición **OFF**. Las válvulas deben girar sin ningún problema.

Revisión de la manguera

- Antes de cada uso, revise si las mangueras no están cortadas o desgastadas. Reemplace las mangueras que estén dañadas antes de usar el asador. Use solo válvulas, mangueras y reguladores especificados por el fabricante.

Guía rápida de consejos

Parrilla reversible del quemador lateral:

- La parrilla del quemador lateral de doble función tiene una superficie plana en un lado para calentar, hervir o freír con ollas o cacerolas, y una superficie curva en el otro lado para usarse como sartén.

Guía rápida de consejos (continuación)


Pre calentamiento para diferentes tipos de parrillada:

- Abrasar:** Pre calentamiento con todos los quemadores puestos en **HI** para obtener las máximas temperaturas de la parrilla de asado.
- Asado:** Pre calentamiento con todos los quemadores puestos en **LO** para tener una temperatura más baja de inicio para asar carnes más lentamente.

Pre calentamiento para diferentes tipos de parrillada:

- Asado indirecto:** Pre calentamiento solamente un quemador en el lado opuesto de donde se colocará la comida para permitir el asado más lento y más bajo para cortes grandes de carne.
- Rostizado:** Coloque la parrilla de calentamiento en los soportes inferiores y use el quemador o quemadores directamente debajo de la carne en **LO** o indirectamente para asado a temperatura más baja. Esto permitirá que circule más calor alrededor de la carne durante el asado.

Cómo bajar la temperatura de la parrilla de asar:

- Perilla de control:** Gire la perilla de control a la posición **LO** para obtener el ajuste de temperatura más bajo.
- Perilla de control:** Para obtener las temperaturas más bajas de la parrilla de control, la carne puede asarse indirectamente con el quemador debajo de la carne en la posición  y un solo quemador lejos de la carne en la posición **LO**.
- Durante el asado, la parrilla puede enfriarse más rápido al levantar la tapa mientras se ajustan las perillas de control a una posición más baja.

Cómo agregar un sabor ahumado durante el asado:

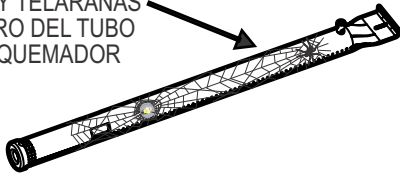
- No use troncos de madera en una parrilla para asar marca Saber.
- Las astillas de madera pueden usarse colocándolas entre las barras de la parrilla de asar. Si se empapan las astillas de madera durante por lo menos 15 minutos antes de usarlas, se prolongará el tiempo de ahumado.
- Se puede usar una caja para ahumar (se vende por separado) que se llena con astillas de madera y se coloca directamente en la parrilla de asar con el quemador en la posición **HI** o **LO**.

Superficies para cocinar: Si utiliza un cepillo de cerdas para limpiar cualquiera de las superficies de cocinar del asador, asegúrese de no dejar cerdas en dichas superficies antes de asar. No se recomienda limpiar las superficies de cocinar cuando el asador está caliente.

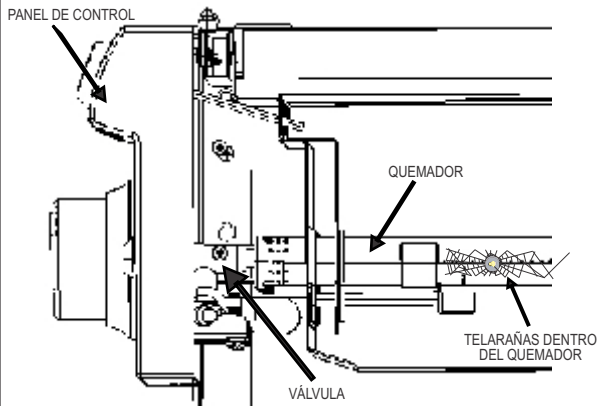
PRECAUCIÓN

¡CUIDADO CON LAS ARAÑAS!

ARAÑAS Y TELARAÑAS DENTRO DEL TUBO DEL QUEMADOR



Si observa que es difícil encender el asador o que la flama no es tan fuerte como debería ser, revise y limpie los quemadores.



Se sabe que en algunas regiones las arañas o insectos pequeños causan problemas de retorno de la flama. Las arañas tejen telarañas, construyen nidos y ponen huevecillos en los tubos de los quemadores del asador, obstruyendo el flujo de gas del quemador. El gas que retrocede puede incendiarse en el quemador detrás del panel de control. Esto se conoce como retorno de la flama y puede dañar el asador e incluso causar lesiones.

Para prevenir el retorno de la flama y asegurar el funcionamiento correcto, se debe retirar el conjunto del quemador del asador y limpiarse antes de usarse siempre que el asador haya estado sin usarse durante un tiempo prolongado.

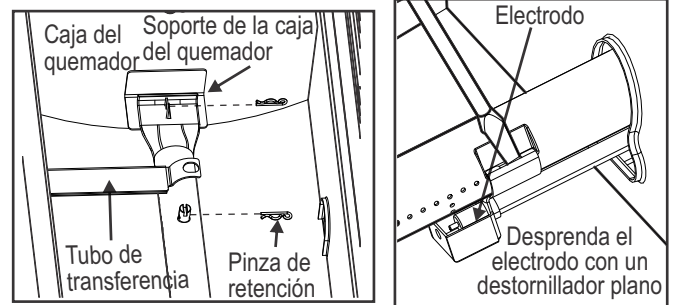
Almacenamiento del asador

- Limpie las parrillas.
- Guárdelo en un lugar seco.
- Cuando el asador tenga un tanque de gas LP conectado, guárdelo en el exterior en un espacio bien ventilado y fuera del alcance de los niños.
- Cubra el asador si lo almacena en el exterior. Seleccione una protección que recomiende el fabricante.
- Almacene el asador en el interior SOLAMENTE si el tanque de gas está cerrado y desconectado, desprendido del asador y almacenado en el exterior.
- Cuando retire el asador de almacenamiento, siga las instrucciones de *limpieza del conjunto del quemador* antes de encender el asador.

Limpieza del conjunto del quemador

Siga estas instrucciones para limpiar o reemplazar piezas del conjunto del quemador o si tiene problemas para encender el asador.

1. **Cierre el gas en las perillas de control y en el suministro de gas.**
2. Retire las parrillas y emisores de cocción.
3. Retire las pinzas de retención y tubos de transferencia de la parte posterior de los quemadores.
4. Use un destornillador plano para desprender el electrodo de cada quemador. El electrodo debe permanecer en la caja del quemador conectado con el alambre de encendido.
5. Levante con cuidado cada quemador y aléjelo de las aberturas de la válvula.



6. Sugerimos tres formas de limpiar los tubos del quemador. Utilice la que sea más fácil para usted.

(A) Doble un alambre rígido para hacer un gancho pequeño (un gancho de ropa ligera funciona bien). Pase el gancho varias veces a través del tubo del quemador.



(B) Use un cepillo estrecho para botellas con un mango flexible (no use un cepillo de latón); pase el cepillo a través de cada tubo de quemador varias veces.

(C) Use protección para los ojos. Use una manguera de aire para forzar aire dentro del tubo del quemador y fuera de los orificios del quemador. Revise cada orificio para asegurarse de que el aire salga por cada uno de ellos.

7. Cepille toda la superficie externa del quemador para eliminar los residuos de comida y suciedad.
8. Limpie los orificios que estén obstruidos con un alambre rígido, por ejemplo con un clip para papel extendido.
9. Revise si hay daño en el quemador; algunos orificios podrían haberse hecho más grandes debido al desgaste normal y a la corrosión. Si hay grietas u orificios grandes, reemplace el quemador.
10. Vuelva a colocar el electrodo en el quemador. Asegúrese de que el alambre de encendido esté conectado.
11. Vuelva a colocar los quemadores con cuidado. **NOTA IMPORTANTE:** Los tubos de los quemadores deben acoplarse con la abertura de la válvula.



Acoplamiento correcto del quemador con la válvula

12. Vuelva a fijar los quemadores en los soportes dentro de la caja de los quemadores.
13. Coloque los tubos de transferencia y conéctelos a los quemadores.
14. Vuelva a colocar los emisores y parrillas de cocción.

INSTRUCCIONES DE OPERACIÓN CON ELECTRICIDAD



ADVERTENCIA



- No deje que el cordón de alimentación eléctrica cuelgue sobre el borde de la mesa ni que toque ninguna superficie caliente.
- Use la extensión más corta que requiera.
- No conecte dos o más extensiones juntas.
- Para protegerse de descargas eléctricas, no sumerja el cordón eléctrico o enchufe en agua u otros líquidos.
- Desconéctelo de la toma eléctrica cuando no lo use y antes de limpiar el asador. Permita que se enfríe antes de colocar o retirar piezas.
- No use el asador si el cordón eléctrico o el enchufe está dañado, o después de que haya funcionado mal o haya resultado dañado de alguna manera. Comuníquese con el fabricante para reparación.
- No use ningún aparato de gas para cocinar en el exterior para otros propósitos para los que no fue diseñado.
- Al conectarlo, primero conecte el enchufe en el aparato de gas de uso externo y luego enchúfelo en la toma eléctrica.
- Nunca elimine el enchufe de conexión a tierra ni lo use con un adaptador de dos clavijas.
- Use solamente cordones eléctricos que tengan un enchufe con conexión a tierra de tres clavijas, clasificado para la energía del equipo y aprobado para usarse con una marcación W-A.



IMPORTANTE



- Desde 1971, el Código Nacional de Electricidad (National Electric Code, NEC) ha requerido que todos los circuitos exteriores cuenten con interruptores de falla de tierra.
- Si su residencia fue construida antes de 1971, consulte a un electricista calificado para determinar si cuenta con un protector de interrupción de falla de tierra.
- No utilice este aparato si el circuito no cuenta con protección de falla de tierra.
- No conecte este aparato en un circuito interior.

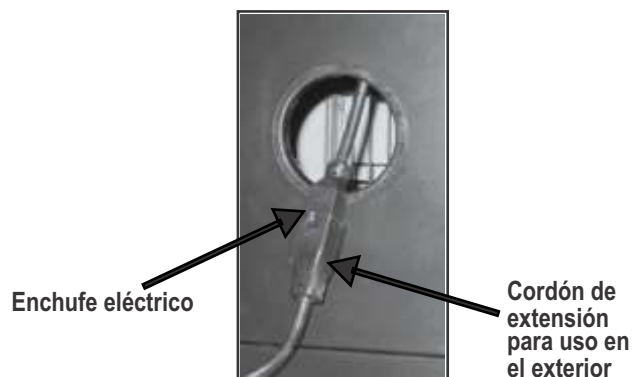
Uso con electricidad

1. Asegúrese de que el interruptor de electricidad en el panel de control esté en la posición de **apagado** (OFF). El botón debe estar a ras con el aro.



POSICIÓN DE APAGADO

2. Conecte el enchufe eléctrico en una toma con protección de falla a tierra o extensión eléctrica, y luego enchufe la extensión en la toma eléctrica de la pared.



3. Presione el botón para **encender** el interruptor de electricidad. Vuelva a presionar el botón para **apagarlo**.



POSICIÓN DE ENCENDIDO

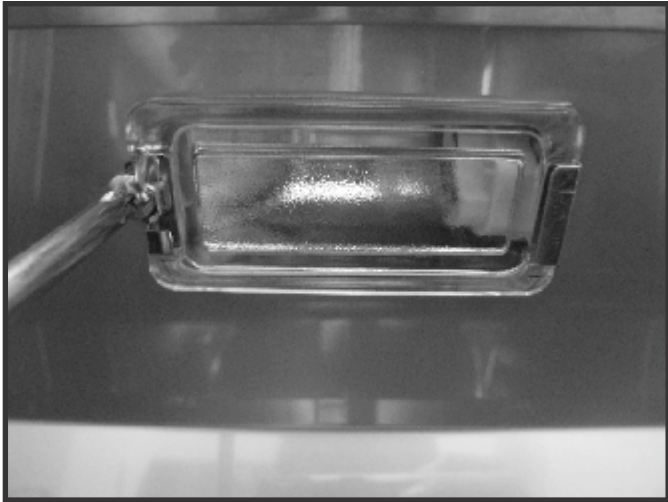
Reemplazo del foco

Nota: Asegúrese de que el interruptor eléctrico en el panel de control esté en la posición de **apagado** (OFF) y que el enchufe del adaptador esté desconectado de la toma eléctrica.

Especificación para reemplazo de un foco estándar:

Tipo de foco:	halógeno	
Vatíaaje:	10 W por foco	Puede comprarse
Voltaje:	12 V	en una ferretería

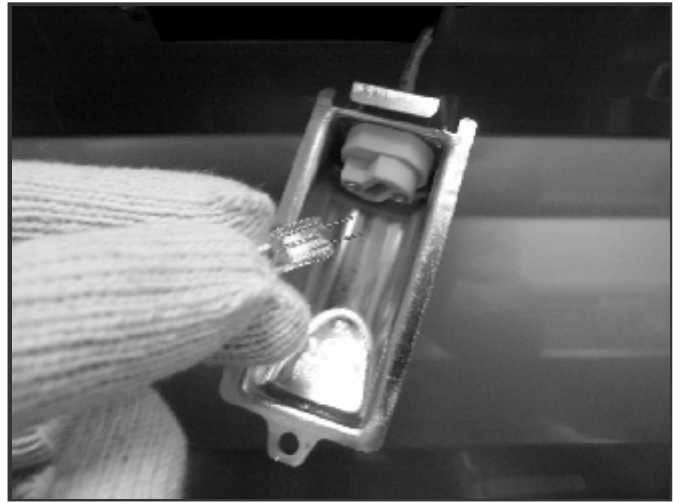
1. Afloje el tornillo que fija el conector del foco.




2. Quite el conector y retire la lente.




3. Retire el foco y reemplácelo por uno nuevo.





IMPORTANTE



Tenga cuidado de no tocar el foco con los dedos sin protección. Si toca el foco con la piel, puede quedar una capa en el foco que hace que se quemé rápidamente.

4. Para volver a instalar el foco, invierta los pasos 2 a 1.

Limpieza de la lente

1. Antes de limpiar, asegúrese de que el interruptor de electricidad esté en la posición de **apagado** (OFF) y que el enchufe eléctrico esté desconectado de la toma de corriente.
2. No limpie la lente de cristal cuando esté caliente; permita que se enfríe antes de limpiarla. Un cambio brusco de temperatura puede hacer que la lente de cristal se fracture.
3. Use una toalla humedecida para limpiar la lente.
4. Permita que la lente se seque antes de volver a conectar el enchufe eléctrico en la toma y presione el interruptor eléctrico a la posición de **encendido** (ON).

Elemento	Término de garantía
Piezas de acero inoxidable	
Tapas e insertos de tapas	Garantía limitada de por vida
Fogón y paneles del carrito	Garantía limitada de por vida
Tubos de quemadores y tubos de transferencia	10 años
Parrillas, emisores y parrillas de calentamiento	5 años sin óxido o calcinación
Piezas de porcelana con esmalte	
Inserto de tapa	Garantía limitada de por vida (excluye decoloración)
Fogón interior	Garantía limitada de por vida sin oxidación o calcinación (excluye decoloración)
Parrillas de calentamiento, parrillas y fogones	5 años sin óxido o calcinación (excluye decoloración)
Piezas pintadas	2 años (excluye decoloración)
Todas las demás piezas	2 años

GARANTÍA LIMITADA DE POR VIDA:

Saber garantiza que los componentes fabricados de acero inoxidable (tapas, insertos de las tapas, fogón exterior y paneles del carrito) están libres de defectos en el material y de fabricación bajo el uso normal residencial durante toda la vida del producto.

La garantía limitada de por vida cubre la integridad estructural de las tapas, insertos de las tapas, el fogón exterior y los paneles del carrito. En caso de ocurrir deterioro estructural hasta el grado que impida el funcionamiento, las piezas se reemplazarán sin cargo al comprador por la instalación. Los costos relacionados con la instalación de piezas de garantía de reemplazo no están cubiertos por esta garantía limitada de por vida y son responsabilidad exclusiva del dueño.

Esta garantía excluye la decoloración, los rayones en la superficie, las manchas debido al clima y a la atmósfera, y la oxidación menor de la superficie, los cuales son condiciones normales que se prevé que ocurran en cualquier producto de uso en el exterior.

GARANTÍA LIMITADA DE DIEZ AÑOS: Saber garantiza los tubos del quemador de acero inoxidable y los tubos de transferencia por estar libres de defectos en los materiales y en la fabricación bajo uso residencial normal durante un periodo de diez (10) años a partir de la fecha de compra original. Las piezas se reemplazarán sin costo.

GARANTÍA LIMITADA DE CINCO AÑOS: Saber garantiza que las parrillas de asar, los emisores, las parrillas de calentamiento de acero inoxidable, y las parrillas de calentamiento de porcelana con esmalte, las parrillas y los fogones están libres de defectos en sus materiales y de fabricación bajo uso residencial normal durante un periodo de cinco (5) años a partir de la fecha de compra original. Las piezas se reemplazarán sin costo.

GARANTÍA TOTAL DE DOS AÑOS: Saber garantiza que todas las piezas pintadas y cualquier otra pieza que no se mencione específicamente más atrás están libres de defectos en sus materiales y de fabricación bajo uso residencial normal durante un periodo de dos (2) años a partir de la fecha de compra original. Saber reemplazará la pieza que resulte defectuosa o que se descubra que está defectuosa durante el periodo de garantía sin costo para el comprador original.

El dueño será responsable de hacer la instalación adecuada y de proporcionar cuidado y mantenimiento, así como de proporcionar el comprobante de compra cuando se le solicite.

Saber se reserva el derecho, ANTES de enviar piezas de reemplazo de garantía, de requerir que la pieza en cuestión se devuelva para inspección y análisis. Las piezas solicitadas deben devolverse a Saber, con flete pagado por el consumidor.

LIMITACIONES Y EXCLUSIONES DE GARANTÍA

Esta garantía excluye las unidades compradas para usarse en todos los tipos de lugares comerciales o de uso comunitario como restaurantes, hoteles, establecimientos de servicio de comida, complejos de condominio o departamentos, propiedades para renta, y los productos cuyo número de serie haya sido alterado o removido.

Esta garantía aplica **SOLAMENTE** a los productos comprados y que se encuentran en los Estados Unidos continentales y Canadá.

La cobertura de garantía comienza en la fecha de compra original, y se requiere presentar el comprobante de compra para el servicio de garantía. Registre su producto y conserve su comprobante de compra original.

Para activar la garantía, requerimos que envíe la tarjeta de registro de garantía adjunta o que registre su producto en línea.

Esta garantía aplica solamente al dueño original del asador y no es transferible.

Esta garantía no aplica a daños que resulten por negligencia, alteración, mal uso, abuso, accidente, desastre natural, pérdida de energía eléctrica para el producto por cualquier razón, instalación incorrecta u operación incorrecta, ajustes o calibraciones sin autorización, muescas, abolladuras, rayones o daños debido a productos químicos de limpieza fuertes.

Saber no será responsable por daños incidentales, consecuentes, especiales o contingentes causados por su incumplimiento de esta garantía escrita o de cualquier garantía implícita.

En caso de cualquier reemplazo de garantía, todo el trabajo de remoción, reemplazo e instalación es responsabilidad del dueño del asador.

Saber se reserva el derecho de reemplazar cualquier producto defectuoso por un producto del mismo valor que el precio de compra original. La reparación o reemplazo de garantía es a entera discreción de Saber.

Los distribuidores no pueden, bajo ninguna circunstancia, ajustar, alterar o ampliar las condiciones y términos de la garantía original.

La garantía de Saber no cubre lo siguiente:

- Costos de mano de obra relacionados con la instalación o configuración, diagnóstico de un problema o reparaciones.
- Mantenimiento y cuidado de rutina normal recomendado.
- Daño debido a accidente, alteración, mal uso, abuso, ambientes hostiles, instalación incorrecta, o instalación que no sea en conformidad con las normas y regulaciones locales, estatales y federales.
- Uso de piezas "universales" no autorizadas.
- Daño o corrosión causada por falta de mantenimiento, negligencia en seguir las instrucciones de cuidado y uso del fabricante, fuego debido a grasa, animales e insectos.
- Cualquier daño causado por el uso comercial o comunitario de este producto.
- Los modelos de exhibición de venta generalmente se venden "COMO ESTÁN". Si usted ha comprado un modelo de exhibición, debe saber que se vendió "COMO ESTÁ" y que está sujeto a las siguientes exclusiones de garantía:
 - Cualquier daño exterior o cosmético no está cubierto por la garantía
 - Cualquier componente faltante será reemplazado con costo exclusivo para el comprador.

EXENCIÓN DE RESPONSABILIDAD DE GARANTÍAS IMPLÍCITAS Y LIMITACIÓN DE RECURSOS

EL ÚNICO Y EXCLUSIVO RECURSO DEL CLIENTE DE ACUERDO CON ESTA GARANTÍA LIMITADA SERÁ LA REPARACIÓN O REEMPLAZO DEL PRODUCTO COMO SE ESTIPULA EN LA PRESENTE. LAS GARANTÍAS IMPLÍCITAS, INCLUYENDO GARANTÍAS DE COMERCIALIZACIÓN PARA UN PROPÓSITO PARTICULAR, SE EXCLUYEN O LIMITAN A UN AÑO O AL PERIODO MÁS CORTO QUE PERMITA LA LEY. SABER NO SERÁ RESPONSABLE DE DAÑOS INCIDENTALES O CONSECUENTES. ALGUNOS ESTADOS O PROVINCIAS NO PERMITEN LA EXCLUSIÓN DE DAÑOS INCIDENTALES O CONSECUENTES, O LIMITACIONES EN LA DURACIÓN DE GARANTÍA IMPLÍCITA DE COMERCIALIZACIÓN O IDONEIDAD, DE MANERA QUE ESAS EXCLUSIONES O LIMITACIONES PODRÍAN NO SER APLICABLES PARA USTED. ESTA GARANTÍA LE CONFIERE DERECHOS LEGALES ESPECÍFICOS, Y USTED PODRÍA TENER TAMBIÉN OTROS DERECHOS QUE PUEDEN VARIAR DE UN ESTADO A OTRO O DE UNA PROVINCIA A OTRA.

Cómo obtener servicio o piezas de reparación de garantía:

Antes de comunicarse con su distribuidor o de llamarnos directamente, asegúrese de que su asador esté registrado. Puede registrarlo en: <http://www.sabergrills.com/registration>.

Llame a su distribuidor autorizado Saber. En el siguiente enlace puede encontrar una lista de distribuidores y su información de contacto: <http://www.sabergrills.com>.

Utilice nuestro servicio al cliente en línea en <http://www.sabergrills.com/warranty service>.

Llame directamente a Saber al teléfono 1-(888)-94S-ABER (947-2237). Esperamos poder servirle.

También puede escribirnos a:

Saber®
Servicio de garantía
P. O. Box 1977
Columbus, GA. 31902

Tenga preparada la siguiente información para proporcionarla: nombre del comprador, modelo y número de serie del asador, fecha de compra y descripción precisa del problema.

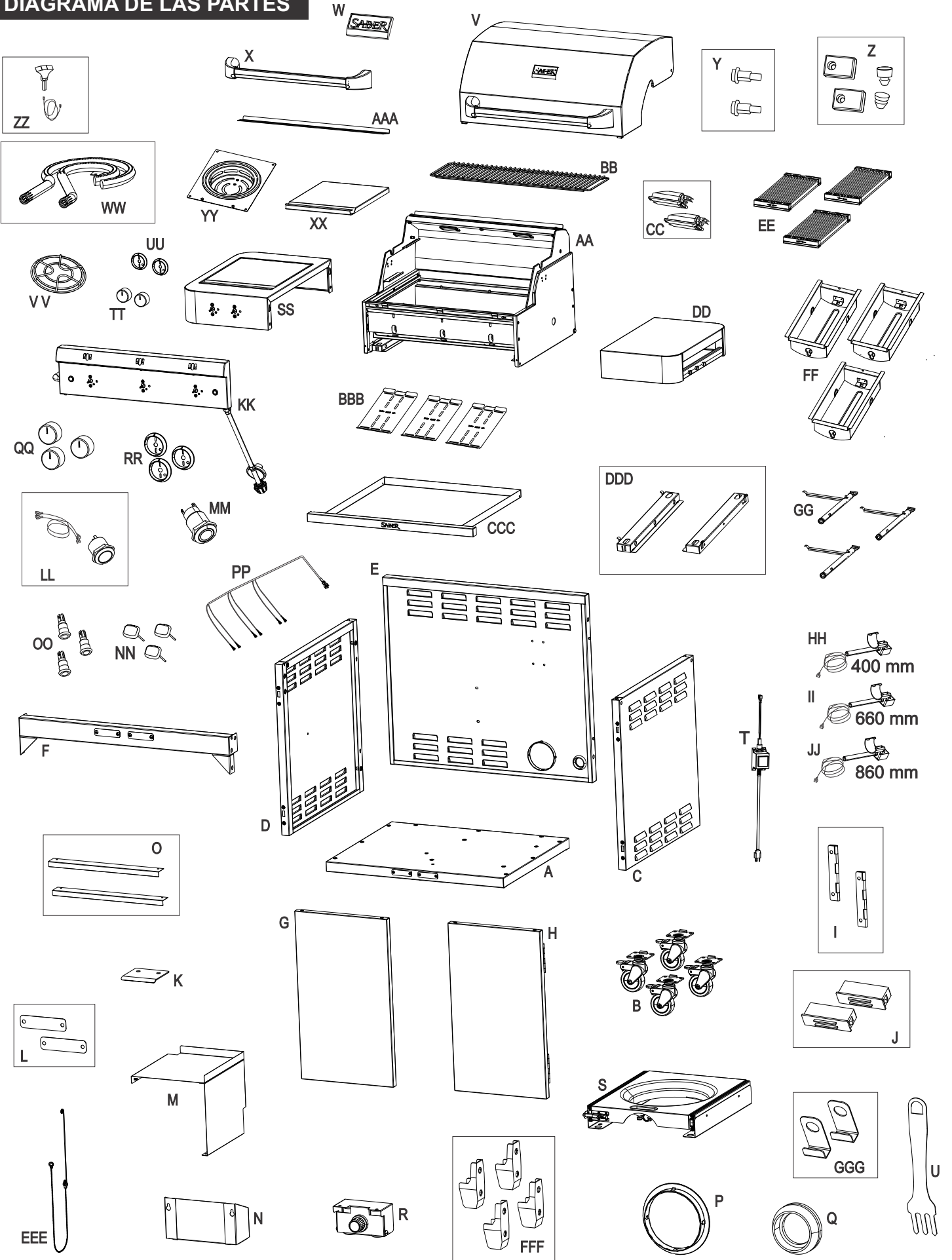
Fecha de compra:	
Distribuidor donde compró el asador:	
Teléfono del distribuidor:	
Número de modelo: <i>(se encuentra en la portada del manual de instrucciones o en la etiqueta de especificaciones)</i>	
Número de serie: <i>(se encuentra en la portada del manual de instrucciones o en la etiqueta de especificaciones)</i>	

LISTA DE PIEZAS

Clave	Cant.	Descripción
A	1	JUEGO, conjunto de repisa inferior
B	4	Rueda, con bloqueo
C	1	Panel derecho del carro
D	1	Panel izquierdo del carro
E	1	Panel trasero del carro
F	1	Abrazadera de la puerta delantera
G	1	JUEGO, puerta izquierda con bisagras
H	1	JUEGO, puerta derecha con bisagras
I	2	JUEGO, bisagras de puerta (JUEGO de 2)
J	2	JUEGO, imanes de la puerta (JUEGO de 2)
K	1	Abrazadera de puerta
L	2	JUEGO, placa de ataque (JUEGO de 2)
M	1	JUEGO, repisa de exclusión de tanque
N	1	Cesta de condimentos
O	1	JUEGO, manija, para puerta, (JUEGO de 2)
P	1	Anillo de caucho, para cordón eléctrico
Q	1	Anillo de caucho, para orificio de manguera de conversión para gas natural
R	1	JUEGO, módulo de encendido
S	1	JUEGO, bandeja del tanque
T	1	JUEGO, transformador, para luz de halógeno del asador
U	1	Herramienta para limpiar parrillas
V	1	JUEGO, conjunto de la tapa
W	1	JUEGO, placa de logotipo
X	1	JUEGO, manija de la tapa
Y	1	JUEGO, tornillo de la tapa, (JUEGO de 2)
Z	1	JUEGO, tope de la tapa, silicón, (JUEGO de 4)
AA	1	JUEGO, conjunto del fogón
BB	1	Parrilla de calentamiento
CC	1	JUEGO, luz, para luz de halógeno del asador, (JUEGO de 2)
DD	1	JUEGO, conjunto de repisa del lado derecho, con portaherramientas
EE	3	JUEGO, parrilla de cocinado, con emisor
FF	3	JUEGO, caja del quemador
GG	3	JUEGO, quemador, con tubo de transferencia
HH	1	Electrodo con alambres de encendido, 400 mm
II	1	Electrodo con alambres de encendido, 660 mm
JJ	1	Electrodo con alambres de encendido, 860 mm
KK	1	JUEGO, consola de control, con conjunto de válvula e interruptores
LL	1	JUEGO, Módulo de encendido switch, con cables
MM	1	JUEGO, interruptor, para luz de halógeno del asador y LED
NN	3	Indicador de temperatura, UFC, con pinza
OO	3	Luz LED
PP	1	Arnés de cables de LED
QQ	3	Perilla de control
RR	3	JUEGO, bisel
SS	1	JUEGO, conjunto de repisa del quemador lateral

Clave	Cant.	Descripción
TT	2	Perilla de control para quemador lateral
UU	2	JUEGO, bisel para quemador lateral
VV	1	Parrilla del quemador lateral, cable SS
WW	1	JUEGO, quemadores para el quemador lateral doble
XX	1	JUEGO, tapa para quemador lateral
YY	1	Bandeja del quemador lateral con tope de la tapa
ZZ	1	JUEGO, electrodo, para quemador lateral con cable
AAA	1	JUEGO, viento pantalla
BBB	3	JUEGO, protección de calor del fogón
CCC	1	Conjunto de charola para grasa
DDD	1	JUEGO, soportes para bandejas de grasa (JUEGO de 2)
EEE	1	Portacerillos, con cadena
FFF	1	JUEGO, postes de montaje para la conjunto del fogón, (JUEGO de 4)
GGG	1	JUEGO, soportes de la barra del asador, (JUEGO de 2)
No se ilustran		
...	1	Paquete de tornillería
...	1	Guía de montaje, inglés, español, francés
...	1	Guía del producto, inglés, español, francés
...	1	Cubierta de la parrilla
...	1	JUEGO, asador
...	1	Varilla del asador

DIAGRAMA DE LAS PARTES





CASOS DE EMERGENCIA: Si no se puede detener una fuga de gas, o si ocurre un incendio debido a una fuga de gas, llame a los bomberos.

Emergencias	Causas probables	Medidas de prevención / solución
Fugas de gas de mangueras agrietadas, cortadas o quemadas.	<ul style="list-style-type: none"> Manguera dañada. 	<ul style="list-style-type: none"> Cierre el gas en el cilindro o en la fuente de los sistemas de gas natural. Si tiene todo tipo de desperfectos, pero no está quemada, cambie la válvula/la manguera/ el regulador. Si está quemada, deje de usar el producto hasta que un plomero haya investigado la causa y haya hecho las correcciones.
Fuga de gas del cilindro.	<ul style="list-style-type: none"> Falla mecánica debido a la oxidación o al mal uso. 	<ul style="list-style-type: none"> Cambie el cilindro de gas.
Fuga de gas de la válvula del cilindro.	<ul style="list-style-type: none"> Falla de la válvula del cilindro debida al mal uso o a falla mecánica. 	<ul style="list-style-type: none"> Cierre la válvula del cilindro de gas. Devuelva el cilindro al proveedor de gas.
Fuga de gas entre el cilindro y la conexión del regulador.	<ul style="list-style-type: none"> Instalación inadecuada, la conexión no está bien apretada, falla de la junta de caucho. 	<ul style="list-style-type: none"> Cierre la válvula del cilindro de gas. Retire el regulador del tanque y examine visualmente la junta de caucho para detectar cualquier daño. Lea las secciones tituladas <i>Prueba para detectar fugas en un cilindro de gas</i> y <i>Cómo conectar el regulador al cilindro de gas</i>.
Sale fuego por el tablero de control.	<ul style="list-style-type: none"> Fuego en la sección del tubo del quemador debido a un bloqueo. 	<ul style="list-style-type: none"> Cierre las perillas de control y la válvula del cilindro de gas. Deje abierta la tapa para permitir que las llamas se extingan. Una vez que se haya extinguido el fuego y la parrilla esté fría, retire el quemador y examínelo para ver si tiene nidos de arañas o herrumbre. Lea las páginas relativas a <i>Los peligros Naturales</i> y <i>la limpieza de la unidad del quemador</i>.
Hay continuamente fuego producido por la grasa o demasiadas llamas sobre la superficie de cocinar.	<ul style="list-style-type: none"> Demasiada grasa acumulada en la zona del quemador. 	<ul style="list-style-type: none"> Cierre las perillas de control y la válvula del cilindro de gas. Deje abierta la tapa para permitir que las llamas se extingan. Una vez que se haya enfriado, limpie las partículas de comida y la acumulación de grasa en la parte interior de la zona de la cámara de combustión, la bandeja para la grasa y toda otra superficie.

Resolución de problemas

Problema	Causas probables	Medidas de prevención / solución
<p>El quemador o los quemadores no se enciende(n) al usar el encendedor. (Lea además la sección <i>Resolución de problemas del encendido electrónico</i>)</p> <p><i>Continúa en la página siguiente.</i></p>	<p>PROBLEMAS DE GAS:</p> <ul style="list-style-type: none"> Está tratando de encender el quemador equivocado. El quemador no está conectado a la válvula de control. Obstrucción en el quemador. No hay flujo de gas. Hay vapor atrapado en la tuerca de unión al tanque de gas. La tuerca de unión y la válvula del tanque de gas no están bien conectadas. <p>PROBLEMAS DE ELECTRICIDAD:</p> <ul style="list-style-type: none"> Electrodo agrietado o roto; salen "chispas de la grieta". La punta del electrodo no está en la posición correcta. El cable o el electrodo está cubierto con restos de comida. Los cables están flojos o desconectados. Los cables producen cortocircuitos (chispas) entre el encendedor y el electrodo. Pila gastada. 	<ul style="list-style-type: none"> Lea las instrucciones en el tablero de control y en la sección titulada <i>Uso y mantenimiento</i>. Verifique que las válvulas estén ubicadas dentro de los tubos de los quemadores. Verifique que el tubo de los quemadores no esté obstruido con telarañas u Otras materias. Lea la parte referente a la limpieza en la sección <i>Uso y mantenimiento</i>. Verifique que el tanque no esté vacío. Si el tanque de gas no está vacío, lea la sección referente a la <i>Caída repentina del flujo de gas</i>. Cierre las perillas y desconecte la tuerca de unión del tanque. Vuelva a conectarla y trate de nuevo. Gire la tuerca de unión entre media vuelta y tres cuartos de vuelta adicionales, hasta que no la pueda girar más. Apriétela a mano únicamente, no use herramientas. Cambie el (los) electrodo(s). <p>Quemadores principales:</p> <ul style="list-style-type: none"> La punta del electrodo debe estar orientada hacia el orificio de combustión del puerto del quemador. La distancia debe ser de 1/8" a 1/4". Ajustela si es necesario. <p>Quemador lateral:</p> <ul style="list-style-type: none"> La punta del electrodo debe estar orientada hacia el orificio de combustión del puerto del quemador. La distancia debe ser de 1/8" a 3/16". Ajustela si es necesario. <ul style="list-style-type: none"> Limpie el cable y el electrodo con alcohol de frotar y un hisopo limpio. Vuelva a conectar los cables o cambie la unidad de electrodo/cable. Cambie la unidad del cable del encendedor / el electrodo. Cámbiela por una pila alcalina nueva, de tamaño.

Resolución de problemas (continuación)

Problema	Causas probables	Medidas de prevención / solución
El quemador o los quemadores no se enciende(n) al usar el encendedor. (Lea además la sección <i>Resolución de problemas del encendido electrónico</i>)	ENCENDIDO ELECTRÓNICO: <ul style="list-style-type: none"> No hay chispa, no hay sonido de encendido. No hay chispa, hay un sonido leve de encendido. Hay chispas, pero no en el electrodo o a plena potencia. 	<ul style="list-style-type: none"> Lea la sección I de <i>istema de encendido electrónico</i>. Lea la sección II de <i>istema de encendido electrónico</i>. Lea la sección III de <i>istema de encendido electrónico</i>.
El quemador o los quemadores no se encienden con fósforos.	<ul style="list-style-type: none"> Lea "PROBLEMAS DE GAS:" en la página anterior. El fósforo no llega al punto de encendido. Método inadecuado de encendido con fósforos. 	<ul style="list-style-type: none"> Use un fósforo de palito largo (fósforo para encender chimeneas). Lea la parte titulada <i>Encendido con fósforos</i> de la sección <i>Uso y mantenimiento</i>. Verifique que el tanque de gas esté cargado.
Caída repentina del flujo de gas o llama reducida.	<ul style="list-style-type: none"> Se acabó el gas. Se activó la válvula por sobrecarga de gas. Hay vapor atrapado en la conexión de la tuerca de unión y el tanque de gas. 	<ul style="list-style-type: none"> Cierre las perillas, espere 30 segundos y encienda la parrilla. Si las llamas siguen siendo bajas, cierre la perilla y la válvula del tanque de gas. Desconecte el regulador. Vuelva a conectar el regulador y haga una prueba para detectar fugas. Abra la válvula del tanque de gas, espere 30 segundos y, luego, encienda la parrilla. Cierre las perillas de control y la válvula del cilindro de gas. Desconecte la tuerca de unión del tanque. Vuelva a conectarla y trate de nuevo.
Llamas que se apagan.	<ul style="list-style-type: none"> Vientos fuertes o en ráfagas. Bajo flujo de gas propano. Se activó la válvula por sobrecarga de gas. 	<ul style="list-style-type: none"> Gire el frente de la parrilla de modo que quede de cara al viento, o aumente la graduación de las llamas. Recargue el tanque de gas. Lea lo referente a la <i>Caída repentina del flujo de gas</i> en la sección anterior.
Fogonazos.	<ul style="list-style-type: none"> Acumulación de grasa. Carne sumamente grasosa. Temperatura de cocción demasiado elevada. 	<ul style="list-style-type: none"> Limpie los quemadores y el interior de la parrilla / cámara de combustión. Desgrase la carne antes de cocinarla a la parrilla. Ajuste (baje) la temperatura según corresponda.
Fuegos persistentes, producidos por la grasa.	<ul style="list-style-type: none"> Grasa atrapada por acumulación de restos de comida alrededor del sistema del quemador. 	<ul style="list-style-type: none"> Cierre las perillas a la . Cierre el paso de gas desde el tanque. Deje la tapa en su sitio y deje que se apague el fuego. Después de que se enfríe la parrilla, retire y limpie todas las piezas.
Retorno de las llamas... (fuego en los tubos del quemador).	<ul style="list-style-type: none"> El quemador o los tubos del quemador están obstruidos. 	<ul style="list-style-type: none"> Cierre las perillas a la . Limpie el quemador o los tubos del quemador. Lea la sección de limpieza del quemador de <i>Uso y mantenimiento</i>.
No se puede recargar el tanque de gas propano.	<ul style="list-style-type: none"> Algunos vendedores de gas usan boquillas de llenado viejas, con las roscas gastadas. 	<ul style="list-style-type: none"> Las boquillas desgastadas no tienen suficiente "agarre" para conectarse a la válvula. Comuníquese con otro vendedor de gas.
Uno de los quemadores no enciende del (de los) otro(s) quemador(es).	<ul style="list-style-type: none"> Acumulación de grasa o de partículas de comida en el (los) extremo(s) del (de los) tubo(s) de arrastre. 	<ul style="list-style-type: none"> Limpie el (los) tubo(s) de arrastre con un cepillo de alambre.

Resolución de problemas - Encendido electrónico

Problema (encendido)	Causas probables	Procedimiento de revisión	Medidas de prevención / solución
<p>SECCIÓN I</p> <p>No aparecen en cualquier chispas cuando los electrodos de encendido electrónico Buttonis presionado, no se puede escuchar el ruido de chispas módulo.</p>	<ul style="list-style-type: none"> • La pila no está instalada adecuadamente. • Pila gastada. • Módulo de chispas defectuoso. 	<ul style="list-style-type: none"> • Revise la orientación de la pila. • ¿Es una pila usada? • Si no se generan chispas con la pila nueva y las conexiones del cable están bien hechas, el módulo está defectuoso. 	<ul style="list-style-type: none"> • Instale la pila (verifique que los conectores "+" y "-" estén orientados correctamente, con el extremo "+" hacia arriba y el extremo "-" hacia abajo). • Cámbiela por una pila alcalina nueva. • Cambie la unidad del módulo de chispas.
<p>SECCIÓN II</p> <p>No aparecen en cualquier chispas cuando los electrodos de encendido electrónico Buttonis presionado; se puede escuchar el ruido de chispas módulo.</p>	<ul style="list-style-type: none"> • Las conexiones del cable de salida no están bien hechas. 	<ul style="list-style-type: none"> • ¿Están conectadas y bien hechas las conexiones de salida? 	<ul style="list-style-type: none"> • Retire y vuelva a hacer todas las conexiones de salida en el módulo y en los electrodos.
<p>SECCIÓN III</p> <p>Hay chispas pero no en todos los electrodos y/o no a plena potencia</p>	<ul style="list-style-type: none"> • Las conexiones del cable de salida no están bien hechas. • El arco de la parrilla se forma lejos del (de los) quemador(es). • Pila débil. • Los electrodos están húmedos. • Los electrodos están agrietados o rotos, con "chispas en las grietas". • Interruptores de la perilla de encendido defectuosos. 	<ul style="list-style-type: none"> • ¿Están conectadas y bien hechas las conexiones de salida? • Si es posible, observe la parrilla en un lugar oscuro. Haga funcionar el sistema de encendido y trate de detectar la formación del arco entre los cables de salida y el marco de la parrilla. • Se forman todas las chispas, pero son débiles o lentas. • ¿Se ha acumulado humedad en el electrodo y/o en los orificios de combustión? • Examine los electrodos para detectar grietas. • Si todos los demás procedimientos para resolver problemas, enumerados arriba no, solucionan el problema, es posible que el interruptor de encendido de la perilla esté defectuoso. 	<ul style="list-style-type: none"> • Retire y vuelva a hacer todas las conexiones de salida en el módulo y en los electrodos. • Si se observan chispas que no sean del (de los) quemador(es), es posible que esté dañado el aislamiento de los cables. Cambie los cables. • Cambie la pila por una pila alcalina nueva. • Use una toalla de papel para secar la humedad. • Cambie los electrodos agrietados o rotos. • Cambie la unidad de interruptor de encendido/válvula.

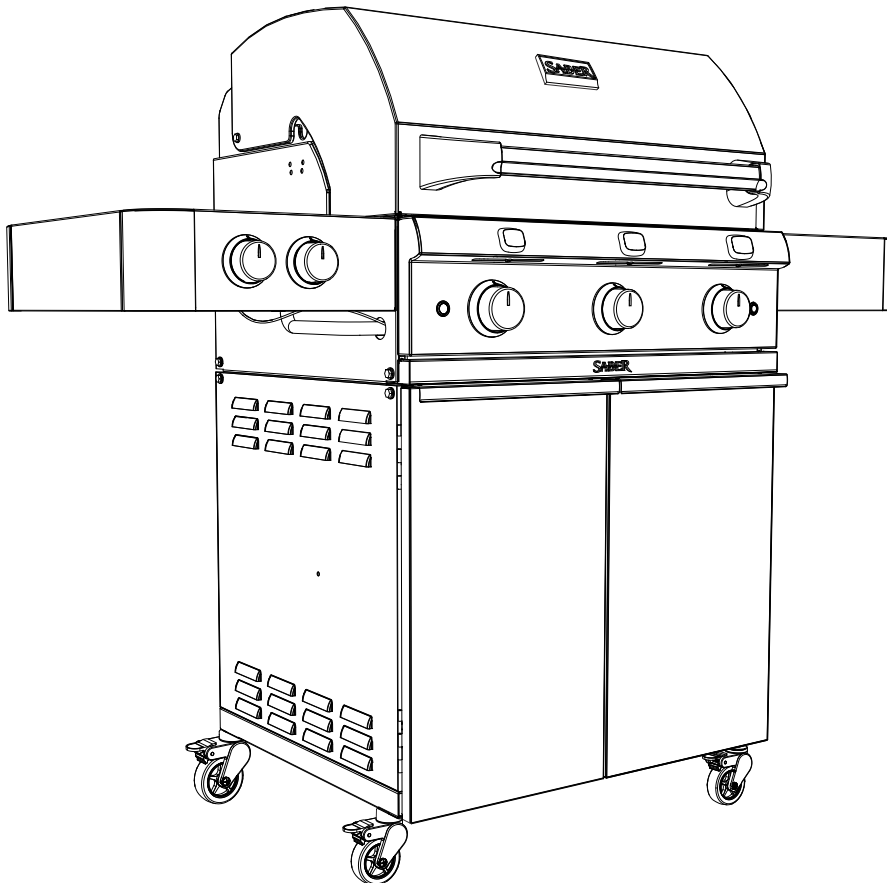
Resolución de problemas - Luces LED

Problema (luces)	Posible causa	Procedimiento de verificación	Prevención/solución
Las luces LED NO se iluminan cuando el interruptor de la luz se coloca en ON, pero el interruptor de la luz LED se ilumina.	Los cables del LED están desconectados. Luces LED defectuosas.	Compruebe para asegurarse que los cables en cada terminal de horquilla del LED estén conectados firmemente y no sueltos. Si hay una buena conexión en el LED y otras luces LES están funcionando, entonces el LED está defectuoso.	Reconecte los cables a los conectores de horquilla en el LED. Si los cables no se quedan en su sitio y están sueltos, póngase en contacto con Saber para obtener piezas de repuesto bajo la garantía. Póngase en contacto con Saber para obtener piezas de repuesto bajo la garantía.
Las luces LED NO se iluminan cuando el interruptor de la luz se coloca en ON, Y el interruptor de la luz LED NO se ilumina.	Cables del transformador desconectados (si se utilizan). El arnés del cable del interruptor está desconectado.	Compruebe que el conector de salida del transformador esté conectado y trabado sin cables flojos en los conectores. Compruebe que el arnés del cable del interruptor esté conectado correctamente a la parte de atrás del interruptor.	Reconecte los conectores del transformador y asegúrese de que las pestañas de bloqueo del conector estén cerradas. Si al tirar de los cables se aflojan en los conectores, póngase en contacto con Saber para obtener piezas de repuesto bajo la garantía. Reconecte el arnés del cable del interruptor para asegurarse de que el arnés bloquee el interruptor.
Las luces LED Sí se iluminan cuando el interruptor de la luz se coloca en ON, pero el interruptor de la luz LED NO se ilumina.	Interruptor de luz LED defectuoso.	El arnés del cable del interruptor está conectado las luces LED se iluminan.	Póngase en contacto con Saber para obtener piezas de repuesto bajo la garantía.

SABER®

GUIDE DE PRODUIT MODÈLE R50SC1417

IMPORTANT : veuillez renseigner les données d'enregistrement du produit ci-dessous.



Veuillez placer ici
l'étiquette du
numéro de série

Numéro de série

Date d'achat

Si vous avez des questions ou si vous désirez de l'aide pour l'assemblage, veuillez appeler le :

+1-888-94-SABER

+1-888-947-2237

**POUR ENREGISTRER LE PRODUIT ET TROUVER
DES ASTUCES DE DÉMARRAGE, DES RECETTES OU DU
SOUTIEN TECHNIQUE VISITER SABERGRILLS.COM**



POUR UNE CONVERSION AU GAZ NATUREL :

Un nécessaire de conversion au GN modèle A00AA5417 doit être utilisé.

Vendu séparément.

TABLE DES MATIÈRES

Pour votre sécurité	2-3
Utilisation et entretien	3-9
Fonctionnement de l'éclairage du gril	10-11
Garantie	12-14
Liste des pièces	15
Schéma des pièces	16
Dépannage	17-20



Symboles de sécurité

Vous trouverez ci-dessous une explication du sens de chaque symbole. Lisez et respectez toutes les consignes qui apparaissent partout dans ce guide.

	DANGER	
<p>DANGER : indique des conditions qui représentent un danger imminent; à défaut de prendre les mesures correctives appropriées, la mort ou de graves blessures s'ensuivront.</p>		

	AVERTISSEMENT	
<p>AVERTISSEMENT : indique des conditions qui représentent un risque d'accident; à défaut de prendre les mesures correctives appropriées, la mort ou de graves blessures s'ensuivront.</p>		

	ATTENTION	
<p>ATTENTION : indique une situation potentiellement dangereuse ou une pratique à risque qui, si elle n'est pas évitée, pourrait entraîner des blessures mineures ou modérément graves.</p>		

	DANGER	
<p>S'il y a une odeur de gaz :</p> <ol style="list-style-type: none">1. Coupez l'admission de gaz de l'appareil.2. Éteindre toute flamme nue.3. Ouvrir le couvercle.4. Si l'odeur persiste, éloignez-vous de l'appareil et appelez immédiatement le fournisseur de gaz ou le service d'incendie.		

	AVERTISSEMENT	
--	----------------------	--

1. Ne pas entreposer ni utiliser de l'essence ni d'autres vapeurs ou liquides inflammables dans le voisinage de l'appareil, ni de tout autre appareil.
2. Une bouteille de propane qui n'est pas raccordée en vue son utilisation, ne doit pas être entreposée dans le voisinage de cet appareil ou de tout autre appareil.

	ATTENTION	
---	------------------	---

Pour utilisation domestique uniquement. Ne pas utiliser à des fins commerciales.

CET APPAREIL EST CONÇU POUR UN USAGE À L'EXTÉRIEUR UNIQUEMENT

ATTENTION :

Lire et respecter toutes les consignes de sécurité, les instructions d'assemblage et les directives d'emploi et d'entretien avant d'essayer d'assembler cet appareil ou de l'utiliser pour la cuisson.

INSTALLATEUR / ASSEMBLEUR :

Vous devez laisser le présent manuel au client.

CLIENT :

Conservez ce manuel pour consultation future.

AVERTISSEMENT :

Ne pas suivre toutes les instructions du fabricant pourrait causer des préjudices physiques graves et des dommages matériels.

ATTENTION :

Certaines pièces peuvent être munies de bords coupants particulièrement lorsque cela est mentionné dans le manuel! Portez des gants de protection au besoin.

	AVERTISSEMENT	
---	----------------------	---

PROPOSITION 65 DE CALIFORNIE

1. Les sous-produits de combustion générés lors de l'utilisation de ce produit contiennent des produits chimiques qui, selon l'État de la Californie, causent le cancer, des anomalies congénitales ou d'autres dangers pour la reproduction.
2. Cet article contient des produits chimiques, y compris du plomb et des composés de plomb, qui, selon l'État de la Californie, causent le cancer, des anomalies congénitales ou d'autres dangers pour la reproduction.
Veillez vous laver les mains après avoir manipulé ce produit.

Mesures de sécurité pendant l'installation

- Utilisez grill, comme l'achat, avec seulement LP (propane) du gaz et le régulateur / valve de montage fourni. Si votre barbecue est prêt Dual Fuel, un kit de conversion doit être acheté pour une utilisation avec du gaz naturel.
- L'installation du grill doit se conformer aux codes locaux, ou en leur absence, au *National Fuel Gas Code, ANSI Z223.1/ NFPA 54, Natural Gas and Propane Installation Code, CSA B149.1, au Code sur le stockage et la manipulation du propane B149.2, ou à la norme Standard on Recreational Vehicles ANSI A 119.2/NFPA 1192, ainsi que le Code pour les Véhicules de camping CSA Z240 VC Série, selon le cas.*
- Tous les accessoires électriques (la rôtissoire, par exemple) doivent être mis à la terre conformément aux codes locaux ou au *National Electrical Code, ANSI / NFPA 70 ou au Code canadien de l'électricité CSA C22.1. Tenez les cordons d'alimentation et les tuyaux d'alimentation en combustible loin de toute surface chaude.*
- Ce grill est homologué en matière de sécurité aux États-Unis ou au Canada seulement. Ne le modifiez pas pour une utilisation dans un autre endroit. Toute modification créera un risque d'accident.
- Le régulateur de pression et le tuyau fourni doit être utilisé et les remplacements doivent être celles spécifiées par le fabricant de l'appareil.



AVERTISSEMENT



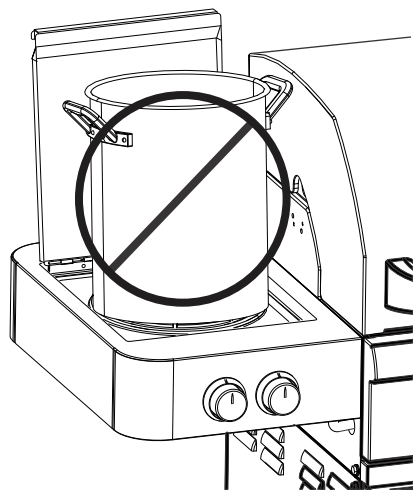
N'essayez pas de réparer ou de modifier le tuyau, le système de valve ou le régulateur pour corriger un défaut « présumé ». Toute modification à cet assemblage annule votre garantie en plus de créer un risque de fuite de gaz et d'incendie. N'utilisez que des pièces de rechange approuvées, fournies par le fabricant.



ATTENTION



Utiliser des pots de plus de 15 quarts de la capacité pourrait dépasser le poids limite du plateau brûleur latéral ou Côté plateau ce qui entraîne la défaillance du grill panier composants.



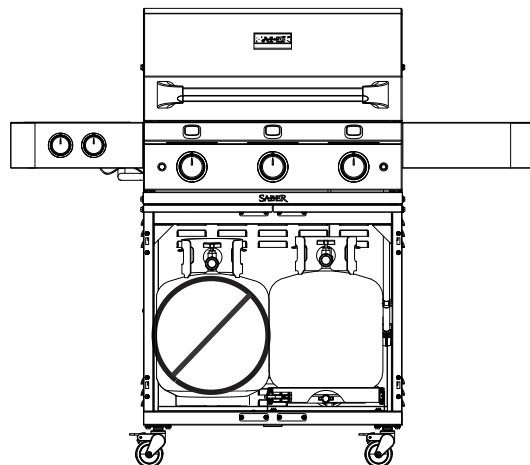
UTILISATION ET ENTRETIEN



DANGER



- N'entrez jamais un réservoir de gaz de rechange sous un appareil au gaz, à proximité de celui-ci ou dans un endroit fermé.

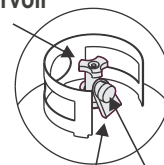


- Ne remplissez jamais le réservoir à plus de 80 % de sa capacité.
- Un réservoir de rechange rempli excessivement ou mal entreposé constitue un danger en raison des possibilités de fuite de gaz à partir de la soupape de sûreté et de décharge.
- Si vous voyez, sentez, ou entendez une fuite de gaz, éloignez-vous immédiatement du réservoir de gaz et de l'appareil et appelez votre service d'incendie.
- Cela peut causer un incendie intense avec risques de dommages matériels, de blessures graves, voire de mort.

Démontage, transport et entreposage du réservoir de gaz

- FERMEZ tous les boutons de réglage et la valve du réservoir de gaz. Tournez à la main l'écrou d'accouplement dans le sens contraire des aiguilles d'une montre; n'utilisez pas d'outils pour débrancher le réservoir. Desserrez la vis du réservoir située sous la tablette inférieure puis soulevez le réservoir et retirez-le du chariot. Installez le capuchon de sûreté sur la valve du réservoir à gaz. Utilisez toujours le capuchon et la bretelle de retenue fournis avec la valve. **Faute d'utiliser le capuchon de sûreté selon les consignes, des blessures graves et des dommages matériels pourraient s'ensuivre.**
- Un réservoir de gaz qui a été débranché pour le transport ou pour l'entreposage doit comporter un capuchon de sécurité (tel qu'illustré). N'entrez pas un réservoir de gaz dans un endroit fermé tel qu'un abri d'auto, un garage, un porche, un patio couvert ou d'autres constructions. Ne laissez jamais un réservoir de gaz dans un véhicule qui pourrait s'échauffer au soleil.
- N'entrez pas un réservoir de gaz dans un endroit où les enfants jouent.

Valve du réservoir de gaz

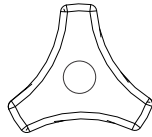


Capuchon de sûreté

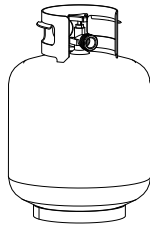
Bretelle de retenue

Réservoir de gaz.

- Le réservoir de GPL utilisé avec votre gril doit satisfaire aux exigences suivantes :
- Utilisez seulement un réservoir de GPL avec les dimensions suivantes : diamètre de 30,5 cm (12 po) x hauteur de 45,7 cm (18 po) et de capacité maximale de (20 lb).
- Les réservoirs de GPL doivent être fabriqués et étiquetés conformément aux spécifications pour les réservoirs de GPL du ministère du Transport (Department of Transportation : DOT) des États-Unis ou, au Canada, des normes CAN/CSA-B339 relatives aux cylindres, sphères et tubes pour le transport des matières dangereuses de Transport Canada (TC). Voir l'étiquette sur le collier du réservoir de GPL.
- La valve du réservoir de GPL doit comporter :
 - Un orifice de sortie de type 1 compatible avec le régulateur ou le gril.
 - Une soupape de sûreté et de décharge.
 - Un dispositif de protection contre le remplissage excessif homologué UL.
 - Ce dispositif de sécurité est identifié par un unique volant de manœuvre triangulaire. **Utilisez seulement des réservoirs dotés de ce type de valve.**
- Le réservoir de GPL doit être disposé de manière à permettre l'élimination des vapeurs et doit comporter un collier de protection de la valve du réservoir. Gardez toujours les réservoirs de GPL à la verticale lors de l'utilisation, du transport et de l'entreposage.



Volant de manœuvre du dispositif de protection contre le remplissage excessif



Réservoir de gaz à la verticale pour permettre l'élimination des vapeurs

GPL (Gaz de pétrole liquéfié, ou gaz propane liquide)

- Le GPL n'est pas toxique; il est incolore et inodore lorsqu'il est produit. Pour votre propre protection, une odeur est ajoutée au GPL (semblable à l'odeur de chou pourri) afin que vous puissiez le sentir.
- Le GPL est très inflammable et peut s'allumer de manière inattendue lorsqu'il est en présence d'air.

Remplissage du réservoir de GPL

- Ne faites appel qu'aux services de distributeurs autorisés d'expérience.
- Le réservoir de GPL **doit être purgé** avant le remplissage.
- Le distributeur **NE doit JAMAIS** remplir le réservoir de GPL à plus de 80 % de sa capacité volumétrique. Le volume de propane dans un réservoir varie selon la température.
- La présence de givre sur le régulateur indique un remplissage excessif. Fermez immédiatement la valve du réservoir de GPL et appelez votre distributeur de GPL local pour obtenir de l'aide.
- Ne relâchez pas de gaz de pétrole liquéfié (propane) dans l'air. Cela constitue une pratique dangereuse.
- Pour vider le gaz contenu dans un réservoir de GPL, demandez l'aide d'un distributeur de GPL ou du service d'incendie local. Regardez dans l'annuaire téléphonique sous « Fournisseurs de gaz » afin de localiser le distributeur de gaz agréé le plus proche de chez vous.

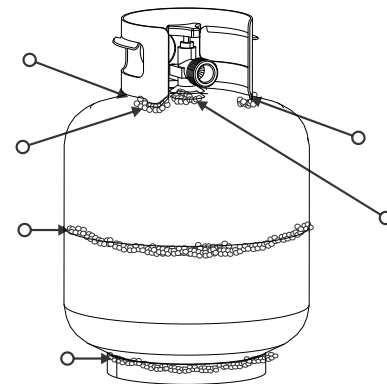
Échange de réservoir de GPL

- Plusieurs commerçants qui vendent la unité offrent la possibilité de souscrire à un service d'échange de réservoirs vides. Ne faites appel qu'aux services d'entreprises dignes de confiance qui soumettent leurs bouteilles de gaz à des inspections et des essais et qui certifient leurs bouteilles de gaz. N'échangez votre réservoir que contre un réservoir **équipé d'un dispositif de protection contre le remplissage excessif tel que décrit dans la section sur le « Réservoir de GPL » du présent guide.**
- Gardez toujours le réservoir de GPL neuf ou échangé en position verticale lors de son utilisation, de son transport et de son entreposage.
- **Effectuez un essai d'étanchéité des réservoirs de GPL neufs et échangés AVANT de les connecter à l'appareil.**
- Mettre un bouchon antipoussière sur la sortie du robinet d'une bouteille qui n'est pas utilisée. Utiliser uniquement le type de bouchon antipoussière fourni avec le robinet de la bouteille. D'autres types de bouchons pourraient ne pas être étanches et permettre des fuites de propane.

Essai d'étanchéité d'un réservoir de GPL

Pour votre propre sécurité

- Il est nécessaire de procéder à un essai d'étanchéité chaque fois que le réservoir de GPL est échangé ou rempli.
- Ne fumez pas pendant l'essai d'étanchéité.
- N'utilisez pas de flamme nue pour détecter une fuite de gaz.
- L'essai d'étanchéité de l'appareil doit se faire à l'extérieur, dans un endroit bien ventilé, loin de sources d'ignition telles que les appareils ménagers fonctionnant au gaz ou à l'électricité. Au cours de l'essai d'étanchéité, gardez l'appareil loin des flammes nues et des étincelles.
- Utilisez un pinceau propre et une solution à mesures égales d'eau et d'un savon doux. Appliquez la solution savonneuse sur les endroits marqués d'une flèche sur le schéma ci-dessous.
- **N'utilisez pas de produits d'entretien ménagers.** Ils pourraient endommager des composants du circuit de gaz.

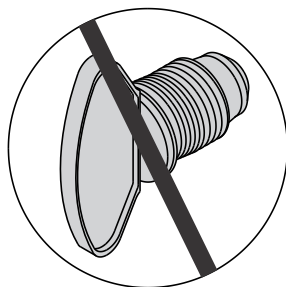
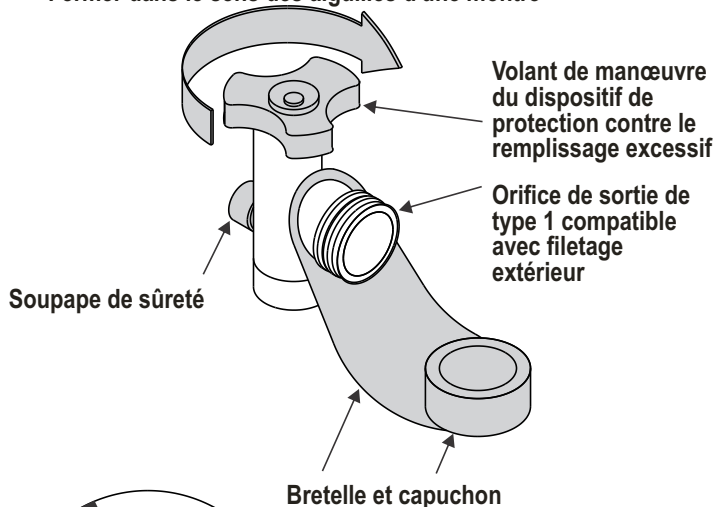


Si des bulles « moussantes » apparaissent, n'utilisez pas le réservoir de GPL et ne le déplacez pas. Appelez un fournisseur de GPL ou votre service d'incendie!

Connexion du régulateur au réservoir de GPL

1. Le réservoir de GPL doit être attaché à l'appareil de façon sécuritaire. (Reportez-vous à la section sur l'assemblage.)
2. FERMEZ tous les boutons de réglage.
3. Fermez le réservoir de gaz en tournant le volant de manœuvre de la valve à fond dans le sens des aiguilles d'une montre.
4. Enlevez le capuchon de protection de la valve du réservoir. Utilisez toujours le capuchon et la bretelle de retenue fournis avec la valve.

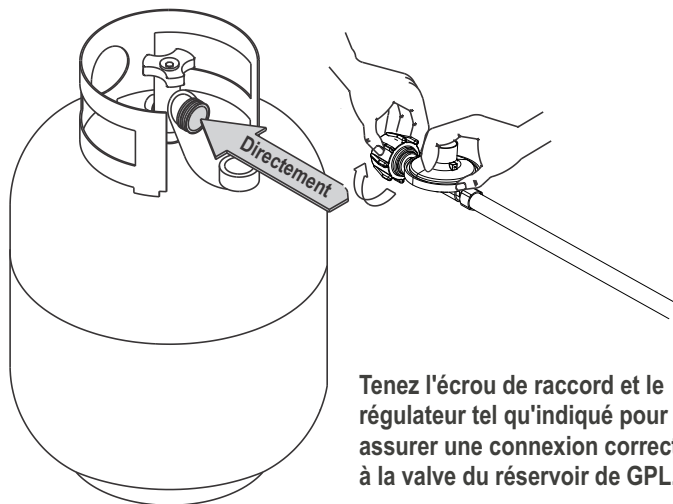
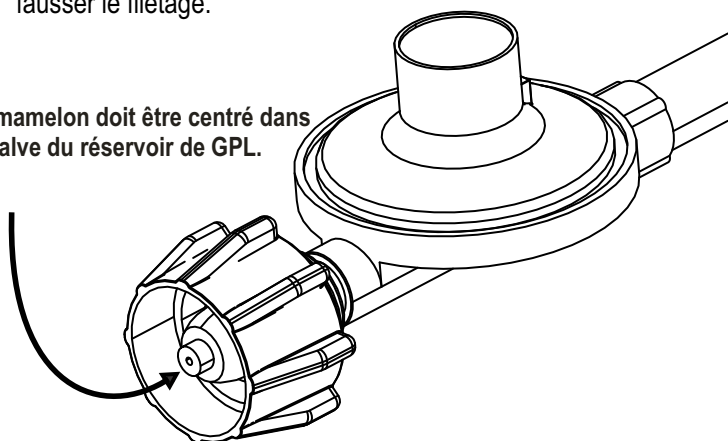
Fermer dans le sens des aiguilles d'une montre



N'utilisez pas de bouchon de transport de produits pétroliers (pièce en plastique avec filetage extérieur)! Il empêchera le dispositif de sûreté de la valve de fonctionner.

5. En tenant le régulateur, insérez le mamelon adaptateur dans la valve du réservoir de GPL. Serrez l'écrou de raccord à la main, en tenant le régulateur aligné avec la valve du réservoir de GPL de manière à ne pas fausser le filetage.

Le mamelon doit être centré dans la valve du réservoir de GPL.



Tenez l'écrou de raccord et le régulateur tel qu'indiqué pour assurer une connexion correcte à la valve du réservoir de GPL.

6. Serrez à fond l'écrou de raccord en tournant dans le sens des aiguilles d'une montre. Le régulateur s'attachera de façon étanche au dispositif de non-retour de la valve du réservoir de GPL ce qui occasionnera une certaine résistance. Une rotation supplémentaire d'un demi à trois quart de tour est nécessaire pour achever le raccordement. Ne serrez qu'à la main - n'utilisez pas d'outils.

REMARQUE :

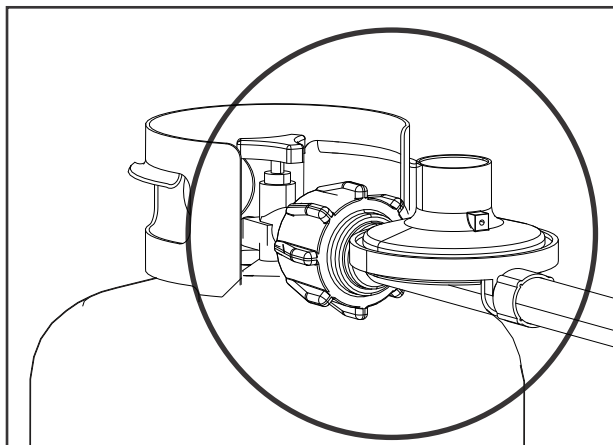
Si vous n'arrivez pas à compléter le raccordement, débranchez le régulateur et répétez les étapes 5 et 6. S'il vous est toujours impossible d'achever le raccordement, **ne vous servez pas de ce régulateur!**

	DANGER	
<ul style="list-style-type: none">• N'insérez aucun corps étranger dans l'orifice de sortie de la valve ou dans la soupape de sûreté. Vous pourriez endommager la valve et provoquer une fuite. Une fuite de propane peut provoquer une explosion, un incendie, des blessures graves ou la mort.		

	AVERTISSEMENT	
<ul style="list-style-type: none">• L'appareil d'utilisation extérieure du gaz n'est pas conçu pour être installé sur ou dans un bateau.• L'appareil d'utilisation extérieure du gaz n'est pas conçu pour être installé sur ou dans un VR.• Ne tentez jamais de raccorder ce gril au système de GPL autonome d'une tente-caravane ou d'une autocaravane. N'utilisez pas le gril avant d'en avoir vérifié l'étanchéité.• Dès qu'une fuite est décelée, ARRÊTEZ toute activité et appelez le service d'incendie.• Si vous n'arrivez pas à arrêter une fuite de gaz, fermez <i>immédiatement</i> la valve du réservoir de GPL et appelez le distributeur de GPL ou votre service d'incendie.		

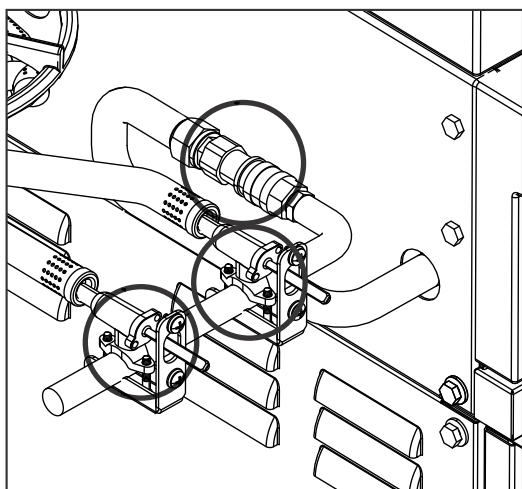
Tests d'étanchéité des valves, des tuyaux et du régulateur

1. Tournez tous les boutons de réglage en position d'arrêt.
2. Assurez-vous que le régulateur est bien branché au réservoir de GPL.
3. Ouvrez complètement le robinet du réservoir de GPL en tournant la roue à main dans le sens antihoraire. Coupez immédiatement le gaz si un **bruit strident** se fait entendre. Cela indique une fuite importante au niveau de la connexion. **Corrigez le problème avant de poursuivre.**
4. Appliquez une solution savonneuse sur les zones encadrées ci-dessous ou autres raccords similaires de votre gril.



REMARQUE :

Bordure de tablette du brûleur non illustrée par souci de clarté.



5. Une fuite est présente si des bulles « se forment ». Fermez immédiatement le robinet du réservoir de GPL et resserrez les connexions. **Si les fuites ne peuvent être contenues, ne tentez pas d'effectuer des réparations. Commandez des pièces de rechange par téléphone.**
6. Fermez toujours le robinet du réservoir de GPL après avoir effectué le test d'étanchéité en tournant la roue à main dans le sens horaire.

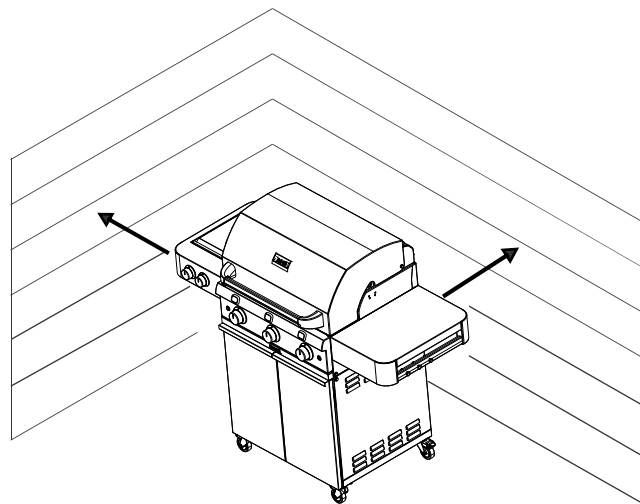


Fermez les boutons de réglage et la source d'alimentation en gaz ou le réservoir ou le réservoir de gaz (mettre sur « OFF ») lorsque le gril n'est pas utilisé.



Pour utiliser le gril de manière sûre et éviter des blessures graves :

- Ne laissez pas les enfants utiliser le gril ou jouer à proximité de celui-ci.
- Gardez l'espace autour du gril propre et exempt de matières combustibles.
- Ne bloquez pas les orifices situés sur les côtés ou l'arrière du gril.
- Vérifiez régulièrement les flammes produites par les brûleurs.
- Utilisez seulement le gril dans un endroit bien aéré. N'utilisez **JAMAIS** le gril dans un espace clos comme un abri à voitures, un garage, une véranda, un patio couvert ou sous un ouvrage supérieur de quelque type que ce soit.
- N'utilisez pas de charbon ni de briquettes de céramique dans un gril au gaz.
- **Assurez-vous de maintenir un dégagement de 0,9 m (3 pi) de tout mur ou de toute surface et de 3 m (10 pi) de tout objet qui pourrait s'enflammer ou de toute source d'ignition telle la veilleuse d'un chauffe-eau, un électroménager sous tension, etc.**



Locataires :

- Renseignez-vous auprès des responsables de l'administration pour connaître les exigences et les codes anti-incendie régissant l'utilisation des grils au gaz PL de l'immeuble. Si cela est possible, utilisez l'extérieur du rez-de-chaussée en maintenant une distance de 0,9 mètre (3 pieds) des murs ou des rampes. N'utilisez pas le gril sur un balcon ou en dessous de celui-ci.
- N'essayez **JAMAIS** d'allumer un brûleur si le couvercle est fermé. Une accumulation de gaz non brûlé à l'intérieur d'un gril fermé est dangereuse.
- N'utilisez jamais le gril si le réservoir de GPL n'est pas positionné de la façon indiquée dans les directives d'assemblage.
- Refermez toujours le robinet du réservoir de GPL et enlevez l'écrou de raccordement avant de déplacer le réservoir de GPL de la position d'utilisation indiquée.

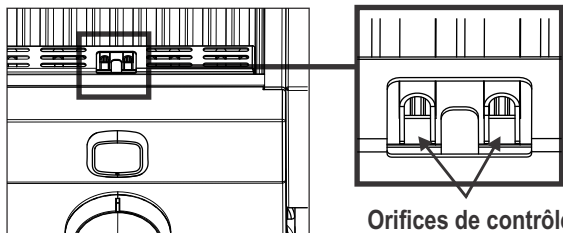
Conseils de sécurité

- Assurez-vous que l'écrou de raccordement est bien serré avant d'ouvrir le robinet du réservoir de GPL.
- Fermez tous les boutons de réglage et le robinet du réservoir de GPL lorsque le gril n'est pas utilisé.
- Il ne faut jamais déplacer un gril qui est allumé ou encore chaud.
- Utilisez des ustensiles de gril à manches longs et des gants de cuisine pour vous protéger des brûlures et des éclaboussures.
- La tablette et le brûleur latéral peuvent supporter une charge maximale de 4,5 kg (10 lb).
- Le plateau de récupération **doit** être inséré dans le gril et vidé après chaque utilisation. Ne retirez pas le plateau de récupération avant que le gril n'ait complètement refroidi.
- Nettoyez souvent le gril, de préférence après chaque utilisation. Si une brosse à soie est utilisée pour nettoyer les surfaces de cuisson du gril, assurez-vous qu'aucune soie ne reste sur les surfaces avant de procéder à la cuisson. Il est déconseillé de nettoyer les surfaces de cuisson lorsque le gril est chaud.
- Si vous remarquez que de la graisse ou des matières chaudes s'écoulent sur le robinet, le tuyau ou le régulateur, coupez immédiatement l'alimentation en gaz. Déterminez la cause, corrigez le problème, puis nettoyez et inspectez le robinet, le tuyau et le régulateur avant de continuer. Effectuez un test d'étanchéité.
- Gardez les orifices de ventilation du logement du réservoir (chariot du gril) propres et exempts de débris.
- N'entreposez pas des objets ou d'autres matières à l'intérieur du chariot du gril qui pourraient bloquer la circulation d'air de combustion sous le panneau de commande ou le récipient du foyer.
- Le régulateur peut émettre un bourdonnement ou un sifflement en cours de fonctionnement. Cela n'affecte pas la sécurité ni le bon fonctionnement du gril.
- Consultez la « section Dépannage » si le gril est défaillant.
- Éteignez le gril et fermez le robinet de GPL sans tarder si le régulateur se couvre de givre. Cela indique une défaillance du réservoir qui ne doit pas être utilisé avec aucun produit. Retournez-la au fournisseur!

Allumage des brûleurs principaux

Il ne faut pas se pencher au-dessus de l'appareil durant l'allumage.

1. Mettez tous les boutons de réglage en position d'arrêt ○.
2. **Ouvrez** l'alimentation en gaz sur le réservoir de GPL.
3. **Laissez le couvercle ouvert durant l'allumage.**
4. Pour allumer, poussez sur le bouton de réglage du brûleur et tournez-le à la **position maximale** ➔.
5. Poussez sur le bouton **D'ALLUMAGE ÉLECTRONIQUE** et maintenez-le enfoncé jusqu'à ce que le brûleur s'allume (utilisez les orifices de contrôle de la flamme pour vérifier).



6. Si l'appareil ne s'allume pas en 5 secondes, fermez le robinet du brûleur ○, attendez 5 minutes, et procédez de nouveau à l'allumage.
7. Allumez les autres brûleurs en répétant les étapes 4 à 6 pour chaque brûleur.
8. Une fois le brûleur allumé, tournez les boutons de réglage à la position désirée.



Si l'appareil ne s'allume pas en 5 secondes, fermez le robinet du brûleur, attendez 5 minutes, et procédez de nouveau à l'allumage. Si le brûleur ne s'allume pas et que le robinet est ouvert, le gaz continue de s'échapper du brûleur qui pourrait s'enflammer accidentellement et causer des brûlures.

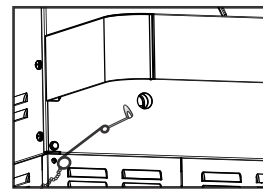


- Il est impossible d'éteindre les feux de friture en fermant le couvercle. Les grils sont bien ventilés par mesure de sécurité.
- N'utilisez pas d'eau pour tenter d'éteindre les feux de friture. Des blessures pourraient survenir. Si un feu de friture éclate, mettez les boutons de réglage en **position d'arrêt** et coupez l'alimentation du réservoir de GPL.
- Ne laissez pas le gril sans surveillance lors du préchauffage ou du brûlage de résidus d'aliments à haute température. Un feu de friture susceptible d'endommager le produit peut éclater si le gril n'a pas été nettoyé assez fréquemment.

Allumage des brûleurs principaux à l'aide d'une allumette

Il ne faut pas se pencher au-dessus de l'appareil durant l'allumage.

1. Mettez tous les boutons de réglage en position d'arrêt ○.
2. **Ouvrez** l'alimentation en gaz sur le réservoir de GPL.
3. **Laissez le couvercle ouvert durant l'allumage.**
4. Placez l'allumette dans le porte-allumette (situé sur le côté gauche du chariot). Allumez l'allumette, placez-la dans l'orifice d'allumage du côté gauche du foyer.
5. Poussez sur le bouton de réglage et tournez-le à la position ➔. Une fois le brûleur allumé (utilisez les orifices de contrôle de la flamme pour vérifier), tournez le bouton de réglage à la position désirée.
6. Si l'appareil ne s'allume pas en 5 secondes, fermez le robinet du brûleur ○, attendez 5 minutes, et procédez de nouveau à l'allumage.
7. Allumez successivement les brûleurs adjacents en appuyant sur les boutons de réglage et en les tournant à la position ➔.



Allumage du brûleur latéral

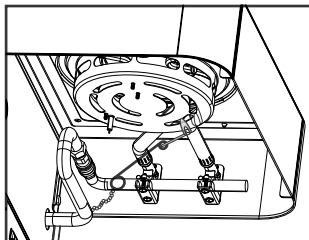
Il ne faut pas se pencher au-dessus de l'appareil durant l'allumage.

1. Mettez tous les boutons de réglage en position d'arrêt ○.
2. **Ouvrez** l'alimentation en gaz sur le réservoir de GPL.
3. **Laissez le couvercle du brûleur latéral ouvert durant l'allumage.**
4. Pour allumer, poussez sur le bouton de réglage du brûleur et tournez-le à la position ➔.
5. Poussez sur le bouton **D'ALLUMAGE ÉLECTRONIQUE** et maintenez-le enfoncé jusqu'à ce que le brûleur s'allume (utilisez les orifices de contrôle de la flamme pour vérifier).
6. Si l'allumage **NE** se produit **PAS** dans les 5 secondes qui suivent, tournez les boutons de réglage à **OFF** ○, attendez 5 minutes et répétez l'opération d'allumage.
7. Répétez les étapes 4 à 6 pour l'autre brûleur.

Allumage du brûleur latéral à l'aide d'une allumette

Il ne faut pas se pencher au-dessus de l'appareil durant l'allumage.

1. Mettez tous les boutons de réglage en position **d'arrêt** ○.
2. **Ouvrez** l'alimentation en gaz sur le réservoir de GPL.
3. **Laissez le couvercle ouvert durant l'allumage.**
4. Placez l'allumette allumée près de l'orifice situé au fond de la cuvette du brûleur.
5. Poussez sur le bouton de réglage du brûleur que vous allumez et tournez-le à la position d'allumage ➡. Assurez-vous que le brûleur reste allumé.
6. Allumez le brûleur adjacent en poussant le bouton et en le tournant à la position ➡.



Conseils de démarrage rapide (suite)

Préchauffage pour différents types de grillades :

- Cuisson à feu vif - préchauffage à l'aide de tous les brûleurs placés en **position maximale (HI)** pour que la grille de cuisson atteigne une température maximale
- Grillades - préchauffage à l'aide de tous les brûleurs placés en **position minimale (LO)** pour que la grille de cuisson atteigne une température initiale moins élevée et que la cuisson se fasse plus lentement.

Préchauffage pour différents types de grillades :

- Cuisson à chaleur indirecte - préchauffage à l'aide d'un seul brûleur du côté opposé où seront placés les aliments de manière à pouvoir cuire les grosses pièces de viande plus longtemps à basse température.
- Rôtissage - placez la grille-réchaud sur les supports inférieurs et utilisez le(s) brûleur(s) directement sous les aliments à la position de **cuisson minimale (LO)** ou **indirectement pour une cuisson à basse température**. Ceci permettra à la chaleur de mieux circuler autour des aliments durant la cuisson.

Abaissement de la température de la grille de cuisson :

- Bouton de réglage - tournez le bouton de réglage à la **position minimale (LO)** pour obtenir le **réglage de température le plus bas**.
- Bouton de réglage - pour cuire les aliments à des températures très basses, ceux-ci peuvent être grillés par chaleur indirecte en éteignant le brûleur placé sous les aliments et en utilisant un seul brûleur éloigné des aliments en **position minimale (LO)**.
- Durant l'utilisation, le gril peut être refroidi plus rapidement si le couvercle est soulevé et que les boutons de réglage sont placés à une température moins élevée.

Ajout d'une saveur de fumée lors de la cuisson :

- Ne mettez pas des copeaux de bois sur une grille de cuisson pour gril Saber.
- Il est possible d'utiliser des copeaux de bois, mais ceux-ci doivent être placés entre les barres de la grille de cuisson. Pour prolonger la durée du fumage, faites tremper les copeaux de bois pendant un minimum de 15 minutes.
- Un fumoir (vendu séparément) peut être utilisé en le remplissant de copeaux de bois et en le plaçant directement sur la grille de cuisson avec le brûleur à la **position maximale (HI)** ou **minimale (LO)**.

Entretien général du gril

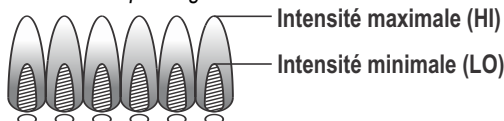
- Ne confondez pas les accumulations brunes ou noires de graisse et de fumée avec de la peinture. Utilisez une solution composée d'un détergent puissant et d'eau ou un produit de nettoyage pour gril et une brosse à récurer sur les surfaces intérieures du couvercle du gril et le fond de celui-ci. Rincez et laissez sécher complètement à l'air.

N'utilisez pas de produits de nettoyage caustiques pour gril ou four sur les surfaces peintes.

- **Pièces de plastique** : Lavez avec de l'eau chaude savonneuse et asséchez. N'utilisez pas de Citrisol, de nettoyeurs abrasifs, d'agents de dégraissage ou de nettoyeurs concentrés pour gril sur les pièces de plastique. Ceci pourrait les endommager.
- **Surfaces de porcelaine** : Cette surface de composition semblable au verre peut être débarrassée de la plupart des résidus à l'aide d'une solution d'eau et de bicarbonate de soude ou d'un nettoyant spécialement formulé. Utilisez une poudre à récurer non abrasive pour les taches rebelles.
- **Surfaces peintes** : Lavez à l'aide d'un détergent doux ou d'un nettoyant non abrasif et de l'eau savonneuse chaude. Asséchez avec un chiffon doux non abrasif.
- **Surfaces en acier inoxydable** : Pour maintenir la belle apparence de votre gril, lavez-le à l'aide d'un détergent doux et de l'eau chaude et essuyez-le à l'aide d'un chiffon doux après chaque utilisation. Les dépôts de matières grasses cuites peuvent nécessiter l'utilisation d'un tampon de récurage abrasif en plastique. Il ne faut l'utiliser que dans le sens du fini brossé pour éviter tout dommage. N'utilisez pas de tampons abrasifs sur les surfaces comportant des éléments graphiques.

Vérification du réglage de la flamme du brûleur

- Retirez les grilles de cuisson et les émetteurs. Allumez les brûleurs, tournez les boutons de réglage de la **position maximale (HI)** à la **position minimale (LO)**. La flamme aperçue en position **LO** devrait être plus petite que celle aperçue en position **HI**. Vérifiez aussi le réglage de la flamme du brûleur latéral. Effectuez toujours une vérification de la flamme avant chaque utilisation. Si vous ne voyez que de petites flammes, consultez la rubrique « Baisse soudaine du flux de gaz ou flamme faible » de la *section dépannage*.



Pour éteindre le gril

- Tournez tous les boutons de réglage en position **d'arrêt** ○. Fermez le réservoir de GPL en tournant la roue à main à fond dans le sens horaire.

Vérification du dispositif d'allumage

- **Coupez l'alimentation en gaz au niveau du réservoir de GPL.** Appuyez et maintenez enfoncé le bouton d'allumage électronique. "Cliquez sur" devrait être entendu et voir des étincelles chaque fois entre le boîtier collecteur ou le brûleur et l'électrode. Voir "Dépannage" si aucun clic ou d'une étincelle.

Vérification des valves

- **IMPORTANT : Assurez-vous que la source d'alimentation en gaz propane est coupée avant de vérifier les valves. Mettez les boutons de réglage en position d'arrêt.** Pour vérifier les valves, poussez et relâchez les boutons de réglage. Ces derniers devraient revenir en position initiale par effet de ressort. Si ce n'est pas le cas, remplacez l'assemblage de valve avant d'utiliser le gril. Tournez les boutons de réglage en **position minimale (LO)**, puis de nouveau en position **d'arrêt (OFF)**. Les valves doivent tourner facilement.

Vérification des tuyaux

- Assurez-vous que les tuyaux ne sont pas coupés ou usés avant chaque utilisation du gril. Remplacez les tuyaux endommagés avant d'utiliser le gril. N'utilisez que le système de valve, le tuyau et le régulateur exigés par le fabricant.

Conseils de démarrage rapide

Grille de cuisson réversible pour brûleur latéral :

- La grille de cuisson double fonction du brûleur latéral dispose d'une surface plane d'un côté pour réchauffer, faire bouillir ou frire des liquides et des aliments en utilisant des chaudrons et des casseroles et d'une surface courbée de l'autre côté pour utiliser un wok.

Surfaces de cuisson : Si une brosse à soie est utilisée pour nettoyer les surfaces de cuisson du gril, assurez-vous qu'aucune soie ne reste sur les surfaces avant de procéder à la cuisson. Il est déconseillé de nettoyer les surfaces de cuisson lorsque le gril est chaud.

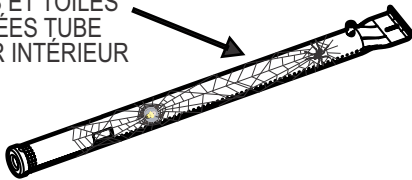


ATTENTION



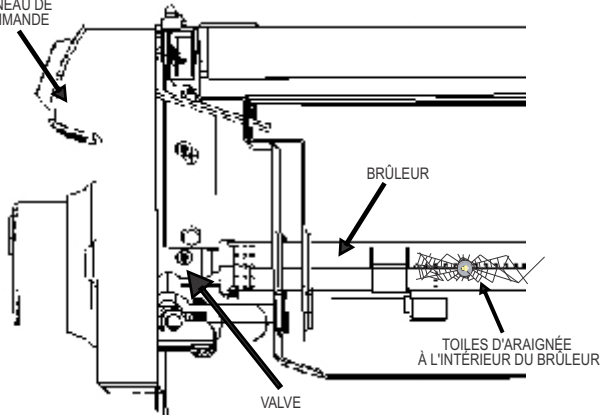
ATTENTION AUX ARAIGNÉES!

ARAIGNÉES ET TOILES D'ARAIGNÉES TUBE DE BRÛLEUR INTÉRIEUR



Si vous remarquez qu'il est difficile d'allumer votre gril ou que la flamme n'est pas aussi forte qu'elle devrait l'être, prenez le temps de vérifier et de nettoyer les brûleurs.

PANNEAU DE COMMANDE



Dans certaines régions du pays, les araignées et les petits insectes entraînent des problèmes de « retour de flamme ». Les araignées tissent des toiles, font des nids et déposent des œufs dans le(s) tube(s) du brûleur ce qui entraîne l'obstruction de l'écoulement de gaz en direction du brûleur. Le gaz refoulé peut s'enflammer dans le brûleur derrière le panneau de commande. Ce phénomène, connu sous le nom de retour de flamme, peut endommager le gril et même entraîner des blessures.

Afin de prévenir les retours de flamme et de garantir le bon fonctionnement du brûleur, il est nécessaire de retirer et de nettoyer l'assemblage avant l'utilisation si le gril n'a pas servi depuis longtemps.

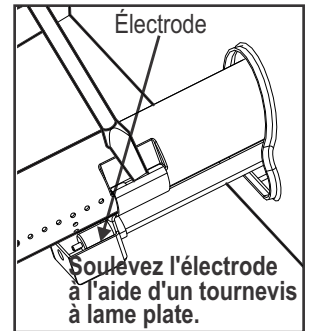
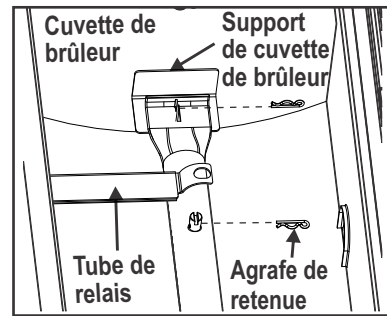
Entreposage de votre gril

- Nettoyez les grilles de cuisson.
- Entrepozez le gril dans un endroit sec.
- Si un réservoir de GPL est connecté au gril, entrepozez-le à l'extérieur, dans un endroit bien aéré et hors de portée des enfants.
- Couvrez le gril si vous l'entrepozez à l'extérieur. Le fabricant offre une variété de housses pour gril.
- Entrepozez le gril à l'intérieur SEULEMENT si le réservoir de GPL est fermé, détaché du gril et entrepozé à l'extérieur.
- Lorsque vous sortez votre gril après l'avoir entrepozé, suivez les instructions de la section « *Nettoyage du brûleur* » avant d'allumer le gril.

Nettoyage de l'assemblage du brûleur

Suivez ces directives pour nettoyer ou remplacer des pièces du brûleur ou si vous éprouvez de la difficulté à allumer le gril.

1. Fermez les boutons de réglage et la source d'alimentation en gaz.
2. Retirez les grilles de cuisson et les émetteurs.
3. Déposez les attaches de retenue et les tubes de relais de l'arrière des brûleurs.
4. Utilisez un tournevis à lame plate pour soulever et dégager l'électrode de chaque brûleur. L'électrode doit rester dans le foyer branché au fil d'allumage.
5. Soulevez délicatement chaque brûleur et dégagéz-les des orifices des valves.



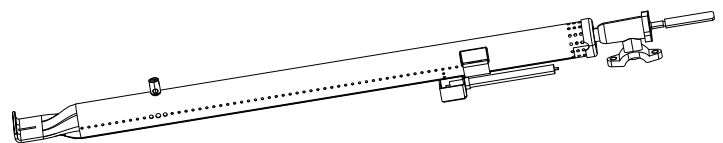
6. Nous suggérons trois façons de nettoyer les tubes du brûleur. Utilisez celle qui vous semble la plus facile.

- (A) Faites un petit crochet à l'aide d'un fil raide (un cintre léger fait très bien l'affaire). Passez le crochet à plusieurs reprises dans chaque tube de brûleur.



- (B) En utilisant un goupillon étroit à manche souple (ne vous servez pas d'une brosse métallique en laiton), passez plusieurs fois dans chaque tube de brûleur.
- (C) Portez des lunettes de sécurité : servez-vous d'un tuyau à air pour forcer un jet d'air dans le tube du brûleur qui sortira par les orifices du brûleur. Examinez chaque orifice pour vous assurer que l'air sort par chacun des orifices.

7. Passez une brosse métallique sur toute la surface extérieure du brûleur pour enlever les résidus de nourriture et les saletés.
8. Nettoyez tout orifice bloqué à l'aide d'un fil raide tel qu'un trombone déplié.
9. Vérifiez si les brûleurs ne sont pas endommagés. En raison de l'usure normale et de la corrosion, certains orifices peuvent s'être agrandis. Si vous notez de larges fissures ou de grands trous, remplacez le brûleur.
10. Fixez l'électrode au brûleur. Assurez-vous que le fil d'allumage est branché.
11. Remplacez soigneusement les brûleurs. **TRÈS IMPORTANT :** Les tubes de brûleur doivent être de nouveau insérés dans les ouvertures de la valve.



12. Fixez de nouveau les brûleurs aux supports à l'intérieur de la cuvette de brûleur.
13. Repositionnez les tubes de relais et fixez-les aux brûleurs.
14. Remplacez les émetteurs et les grilles de cuisson.

INSTRUCTIONS D'ALLUMAGE

AVERTISSEMENT

- Ne laissez pas le cordon d'alimentation pendre sur le rebord d'une table ni entrer en contact avec des surfaces chaudes.
- Utilisez la rallonge la plus courte possible.
- Ne branchez pas ensemble deux rallonges ou plus.
- Afin d'éviter toute décharge électrique, n'immergez pas le cordon ou les fiches dans l'eau ou dans tout autre liquide.
- Débranchez le gril de la prise s'il n'est pas utilisé et avant le nettoyage. Laissez le gril refroidir avant de poser ou de déposer des pièces.
- Ne faites pas fonctionner le gril si le cordon ou la prise sont endommagés ou si l'appareil présente des défaillances ou des dommages. Communiquez avec le fabricant pour qu'ils soient réparés.
- N'utilisez pas cet appareil de cuisson au gaz extérieur à des fins autres que celles prévues.
- Lors du raccordement, commencez par brancher l'appareil de cuisson au gaz extérieur, puis la fiche dans la prise.
- Ne retirez jamais la fiche de mise à la terre et n'utilisez jamais un adaptateur pour fiche à deux broches.
- Seules des rallonges approuvées pour une utilisation à l'extérieur portant l'inscription W-A et homologuées pour la puissance nominale de cet appareil peuvent être utilisées.

IMPORTANT

- Depuis 1971, en vertu du Code national de l'électricité (NEC), tous les circuits extérieurs doivent être protégés par un disjoncteur de fuite à la terre (GFI).
- Si la résidence a été construite avant 1971, vérifiez auprès d'un électricien qualifié si un disjoncteur de fuite à la terre (GFI) est installé.
- N'utilisez pas cet appareil si le circuit n'est pas protégé par un disjoncteur de fuite à la terre.
- Ne branchez pas cet appareil sur un circuit intérieur.

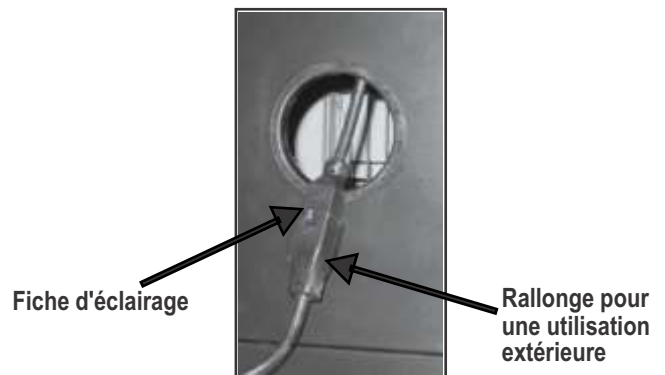
Fonctionnement de l'éclairage

1. Assurez-vous que le commutateur d'éclairage du panneau de commande avant est en position d'arrêt. Le bouton devrait affleurer le bord.



POSITION D'ARRÊT

2. Branchez la fiche d'éclairage dans une prise du disjoncteur de fuite de terre ou une rallonge, puis branchez la rallonge dans la prise murale.



3. Tournez le commutateur d'allumage en **position de marche** en appuyant sur le bouton. Tournez le bouton à la **position d'arrêt** en appuyant de nouveau sur le bouton.



POSITION DE MARCHE

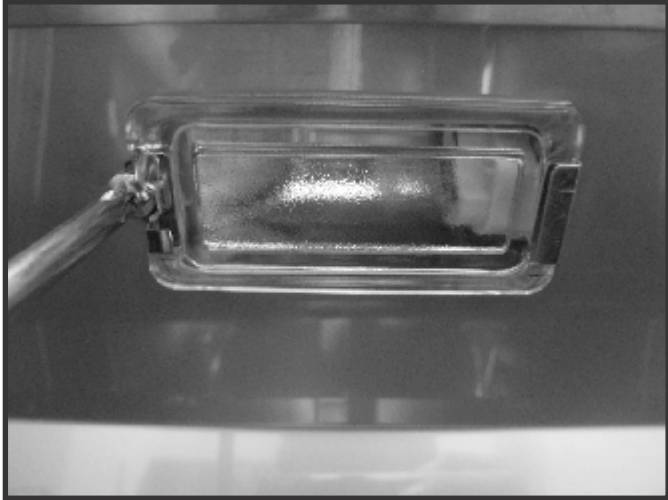
Remplacement de l'ampoule

Remarque : Assurez-vous que le commutateur d'éclairage du panneau de commande est en **position d'arrêt** et QUE la fiche d'adaptateur est débranchée de la prise.

Spécification relative à l'ampoule de remplacement standard :

Type d'ampoule :	halogène	Peut être achetée dans
Puissance :	10 W par ampoule	une quincaillerie locale
Tension :	12 V	

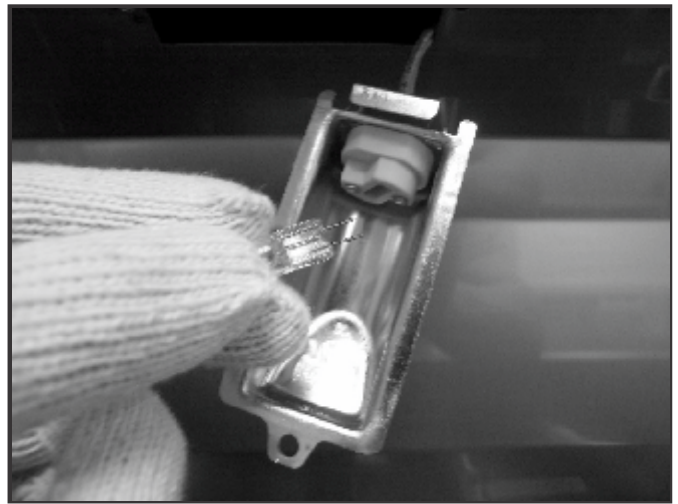
1. Dévissez la vis retenant la douille d'éclairage.



2. Retirez la douille, puis la lentille.



3. Extrayez l'ampoule et remplacez-la par une ampoule neuve.



	IMPORTANT	
<p>Prenez garde de ne pas toucher l'ampoule à mains nues. Le contact de la peau avec l'ampoule peut laisser un film qui fera brûler l'ampoule plus rapidement.</p>		

4. Reprenez les directives dans l'ordre inverse, de l'étape 2 à l'étape 1, pour réinstaller la douille.

Nettoyage de la lentille

1. Avant le nettoyage, assurez-vous que le commutateur d'éclairage est en **position d'arrêt** et que la fiche d'éclairage est débranchée de la source d'alimentation.
2. Ne nettoyez pas une lentille en verre chaude. Laissez-la refroidir avant le nettoyage. Des changements soudains de température peuvent fissurer la lentille en verre.
3. Utilisez un chiffon humide pour nettoyer la surface de la lentille en verre.
4. Laissez la lentille sécher avant de rebrancher la fiche d'éclairage à l'alimentation et appuyez sur le commutateur d'allumage pour le mettre en **position de marche**.

Article	Modalité de garantie
Pièces en acier inoxydable	
Couvercles et garnitures de couvercles	Garantie à vie limitée
Foyer et panneaux de chariot	Garantie à vie limitée
Tubes de brûleur et tubes de relais	10 ans
Grilles de cuisson, émetteurs, supports-réchauds	5 ans, contre les perforations dues à la rouille ou aux brûlures
Pièces faites d'émail de porcelaine	
Garniture de couvercles	Garantie à vie limitée (excluant la décoloration)
Intérieur du foyer	Garantie à vie limitée contre les perforations dues à la rouille ou aux brûlures (excluant la décoloration)
Grilles-réchaud, grilles de cuisson, cuvettes de brûleur	5 ans contre les perforations dues à la rouille ou aux brûlures (excluant la décoloration)
Pièces peintes	2 ans (excluant la décoloration)
Toutes les autres pièces	2 ans

GARANTIE LIMITÉE À VIE :

Saber garantit que les pièces en acier inoxydable (couvercle, garnitures de couvercle, foyer extérieur et panneaux du chariot) sont exemptes de vices de fabrication et de main-d'œuvre dans le cadre d'une utilisation résidentielle normale pendant toute la durée de vie du produit.

La garantie limitée à vie de Saber couvre l'intégrité structurelle du couvercle, des garnitures du couvercle, du foyer extérieur et des panneaux de chariot. Si une détérioration structurelle survient et qu'elle altère le rendement du produit, la(les) pièce(s) sera(seront) remplacée(s), sans frais, et remise au client pour être installée. Les coûts associés à l'installation des pièces de remplacement ne sont pas couverts par la garantie à vie limitée et le propriétaire en est le seul responsable.

Cette garantie exclut la décoloration, les éraflures superficielles, les taches occasionnées par les intempéries et les polluants atmosphériques, les taches de rouille mineures et l'oxydation qui sont des conditions normales auxquelles il faut s'attendre lorsqu'un produit est utilisé à l'extérieur.

GARANTIE LIMITÉE DE DIX ANS : Saber garantit que les tubes de brûleur en acier inoxydable et les tubes de relais sont exemptes de défauts de fabrication et de main-d'œuvre dans le cadre d'une utilisation résidentielle normale pour une période de dix (10) ans à compter de la date originale de l'achat. La pièce sera remplacée, sans frais.

GARANTIE LIMITÉE DE CINQ ANS : Saber garantit que les grilles de cuisson en acier inoxydable, les émetteurs, les grilles-réchauds, les grilles-réchauds faites d'émail de porcelaine, les grilles et les cuvettes de brûleur sont exemptes de vices de fabrication et de main-d'œuvre dans le cadre d'une utilisation résidentielle normale pour une période de cinq (5) ans à compter de la date originale de l'achat. La pièce sera remplacée, sans frais.

GARANTIE COMPLÈTE DE DEUX ANS : Saber garantit que toutes les pièces peintes et toutes les autres pièces qui ne sont pas expressément citées ci-dessus sont exemptes de vices de fabrication et de main-d'œuvre dans le cadre d'une utilisation résidentielle normale pendant une période de deux (2) ans à compter de la date originale de l'achat. Saber remplacera la pièce défectueuse ou jugée défectueuse durant la période de garantie, sans frais à l'acheteur d'origine.

Il revient au propriétaire d'installer correctement le produit, de fournir un entretien normal et de fournir une preuve d'achat sur demande.

Saber se réserve le droit, AVANT d'expédier les pièces de remplacement au titre de garantie, d'exiger que la pièce défectueuse lui soit retournée à des fins d'inspection et d'analyse. Les pièces demandées doivent être retournées à Saber avec frais de transport prépayés par le client.

LIMITES ET EXCLUSIONS DE LA GARANTIE

Cette garantie exclut les appareils achetés pour tout type d'utilisation commerciale ou communautaire dans des emplacements comme des restaurants, des hôtels, des établissements de restauration, des édifices à logement ou à condominiums, des immeubles locatifs et des produits dont le numéro de série a été modifié ou déposé.

La présente garantie ne couvre QUE les produits achetés et situés dans le territoire occidental des **États-Unis** et au **Canada**.

La garantie entre en vigueur à la date d'origine de l'achat. Une preuve de la date d'achat est requise pour se prévaloir de la garantie. Veuillez enregistrer votre produit et conserver le reçu original.

Pour activer la garantie, il faut toutefois nous faire parvenir la carte d'enregistrement de la garantie ci-jointe ou enregistrer votre produit en ligne.

Cette garantie s'applique seulement au propriétaire d'origine du gril et ne peut pas/ne sera pas transférée.

Cette garantie ne couvre pas les dommages résultant de la négligence, d'une altération, d'une mauvaise utilisation, d'un abus, d'un accident, d'une catastrophe naturelle, d'un défaut d'alimentation électrique au produit pour quelque raison que ce soit, d'une installation ou d'une utilisation inadéquates, de l'exécution de réglages ou d'étalonnages non autorisés, des enfoncements, des bosses, des égratignures ou des dommages attribuables à l'utilisation de produits de nettoyage chimiques puissants.

Saber ne pourra être tenue responsable de tout dommage accessoire, consécutif, spécial ou contingent résultant d'un manquement à la présente garantie écrite ou de toute garantie implicite.

Dans l'éventualité d'un remplacement au titre de garantie, toutes les opérations de dépose, de remplacement et d'installation sont la responsabilité du propriétaire du gril.

Saber se réserve le droit de remplacer tout produit défectueux par un produit d'une valeur égale au prix d'achat d'origine. La garantie de réparation ou de remplacement demeure à la discrétion unique de Saber.

Les détaillants et les distributeurs ne peuvent en aucun cas adapter, modifier ou prolonger les conditions et les modalités de la garantie d'origine.

La garantie de Saber ne couvre pas les situations suivantes :

- Les frais de main-d'œuvre liés à l'installation ou au montage, au diagnostic du problème ou aux réparations.
- L'entretien de routine normal recommandé.
- Les dommages résultant d'un accident, d'une modification, d'une mauvaise utilisation, d'un abus, d'environnements hostiles, d'une installation inadéquate ou d'une installation qui ne respecte pas les codes et règlements locaux, provinciaux et fédéraux.
- L'utilisation de pièces « universelles » ou non autorisées.
- Des dommages ou de la corrosion causés par un manque d'entretien ou l'omission de suivre les directives d'utilisation et d'entretien émises par le fabricant, les feux de friture, les animaux ou les insectes.
- Tout dommage résultant d'une utilisation commerciale ou communautaire de ce produit.
- Les modèles en démonstration dans les magasins sont généralement vendus « TELS QUELS ». Si vous avez acheté un modèle de démonstration, veuillez prendre note qu'il est vendu « TEL QUEL » et régi par les exclusions de garantie ci-dessous :
 - Tout dommage extérieur ou cosmétique n'est pas couvert par la présente garantie.
 - Toute pièce manquante sera remplacée aux frais du client uniquement.

STIPULATION D'EXONÉRATION DE GARANTIES IMPLICITES ET LIMITATIONS DES RECOURS

LA RÉPARATION OU LE REMPLACEMENT D'UNE PIÈCE DÉFECTUEUSE CONSTITUE LE SEUL RECOURS DU CLIENT EN VERTU DES MODALITÉS DE LA PRÉSENTE GARANTIE LIMITÉE. LES GARANTIES IMPLICITES, INCLUANT DES GARANTIES DE QUALITÉ MARCHANDE OU D'ADAPTATION À UN USAGE PARTICULIER, SONT EXCLUES OU LIMITÉES À UN AN OU À LA PÉRIODE LA PLUS COURTE PRÉVUE PAR LA LOI. SABER NE SAURAIT ÊTRE TENUE RESPONSABLE DE DOMMAGES ACCESSOIRES OU CONSÉCUTIFS. CERTAINS ÉTATS OU PROVINCES N'AUTORISENT PAS LES EXCLUSIONS OU LES RESTRICTIONS DE DOMMAGES ACCESSOIRES OU CONSÉCUTIFS OU DE RESTRICTIONS QUANT À LA DURÉE DE LA GARANTIE IMPLICITE DE QUALITÉ MARCHANDE OU D'ADAPTATION À UN USAGE PARTICULIER DE SORTE QU'IL EST POSSIBLE QUE CERTAINES RESTRICTIONS OU EXCLUSIONS NE S'APPLIQUENT PAS À VOUS. LA PRÉSENTE GARANTIE VOUS CONFÈRE DES DROITS JURIDIQUES SPÉCIFIQUES. IL EST POSSIBLE QUE VOUS DISPOSIEZ D'AUTRES DROITS QUI PEUVENT VARIER D'UN ÉTAT OU D'UNE PROVINCE À L'AUTRE.

Pour obtenir un service au titre de garantie ou des pièces de rechange :

Avant de communiquer avec votre concessionnaire ou de nous téléphoner directement, veuillez vous assurer que votre gril est enregistré. Vous pouvez enregistrer votre gril à : <http://www.sabergrills.com/registration>.

Téléphonez à votre détaillant Saber autorisé. Une liste des détaillants Saber et leurs coordonnées se trouvent à l'adresse <http://www.sabergrills.com>.

Utilisez notre service à la clientèle en ligne à l'adresse <http://www.sabergrills.com/warranty> service.

Téléphonez directement à Saber au numéro 1-(888)-94S-ABER (947-2237). Nous nous faisons un plaisir de vous aider!

Ou écrivez à :

Saber®
Service sous garantie
P. O. Box 1977
Columbus, GA. 31902

Soyez prêt à fournir l'information suivante : le nom de l'acheteur, le modèle et le numéro de série du gril, la date d'achat et la description précise du problème.

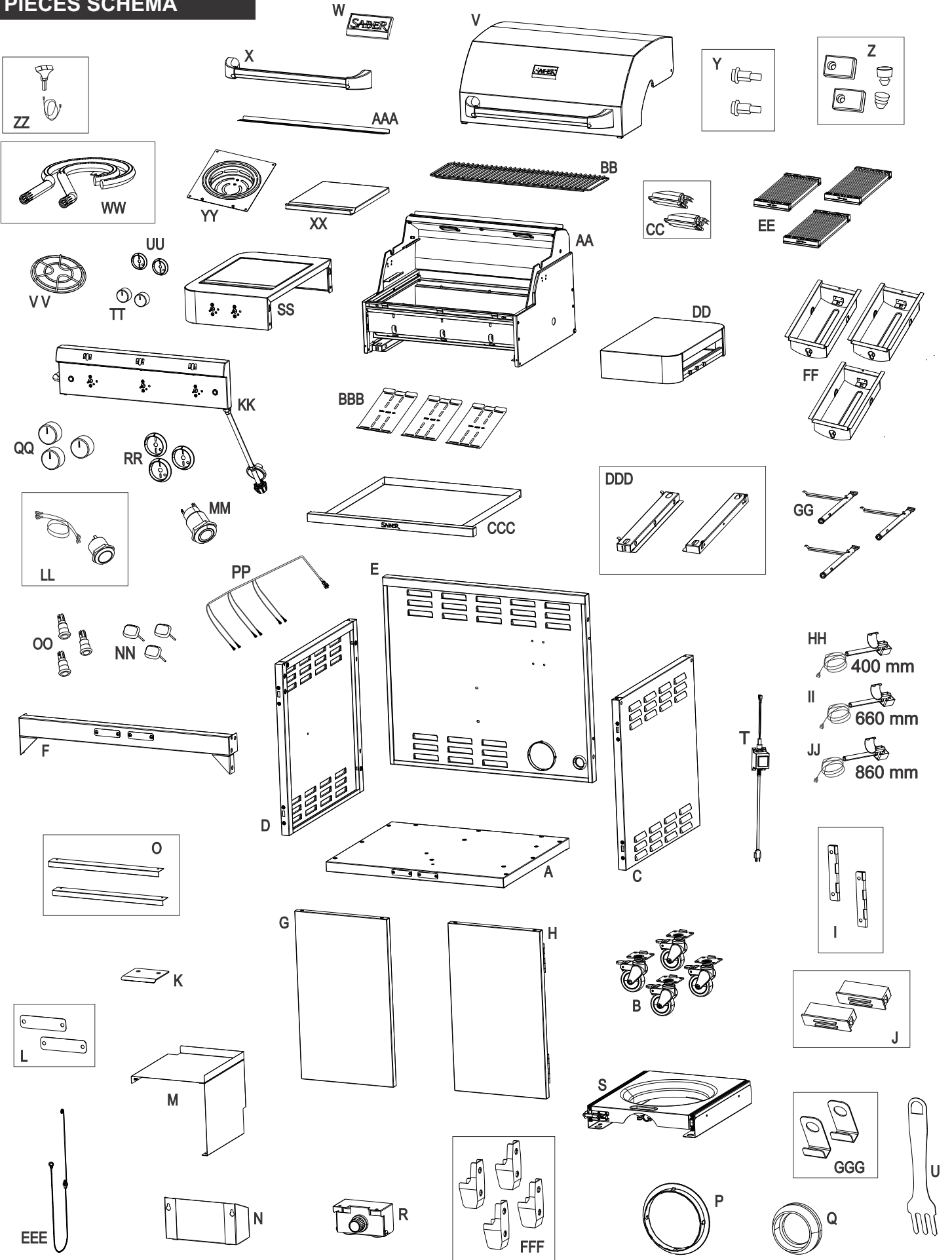
Date d'achat :	
Détaillant où vous avez acheté votre gril :	
Numéro de téléphone du détaillant :	
Numéro de modèle : <i>(Situé sur la page couverture du guide d'utilisation ou l'étiquette indiquant la puissance nominale)</i>	
Numéro de série : <i>(Situé sur la page couverture du guide d'utilisation ou l'étiquette indiquant la puissance nominale)</i>	

LISTE DE PIÈCES DE RECHANGE

Légende	Qtá.	Description
A	1	TROUSSE, tablette du bas
B	4	Roulette, verrouillable
C	1	Panneau de panier droit
D	1	Panneau de panier gauche
E	1	Panneau de panier arrière
F	1	Attache de porte avant
G	1	TROUSSE, porte gauche à charnières
H	1	TROUSSE, porte droite avec charnières
I	2	TROUSSE, charnières de porte (JEU de 2)
J	2	TROUSSE, aimants pour portes (JEU de 2)
K	1	Support de porte
L	2	TROUSSE, plaque de percussion (JEU de 2)
M	1	TROUSSE, tablette d'exclusion de réservoir
N	1	Panier de condiments
O	1	TROUSSE, poignée, pour porte (JEU de 2)
P	1	Passe-câble, pour cordon léger
Q	1	Passe-câble, pour orifice de tuyau de conversion GN
R	1	TROUSSE, module d'allumage
S	1	TROUSSE, plateau de réservoir
T	1	TROUSSE, transformateur, pour éclairage halogène de gril
U	1	Outil de nettoyage des grilles
V	1	TROUSSE, ensemble couvercle
W	1	TROUSSE, plaque du logo
X	1	TROUSSE, poignée du couvercle
Y	1	TROUSSE, boulon à épaulement du couvercle, (JEU de 2)
Z	1	TROUSSE, Lid Bumpers (JEU de 4)
AA	1	TROUSSE, ensemble chambre de combustion
BB	1	Grille de réchaud
CC	1	TROUSSE, lampe, pour éclairage halogène de gril (JEU de 2)
DD	1	TROUSSE, tablette côté droit, avec porte-ustensiles
EE	3	TROUSSE, grille de cuisson avec éjecteur
FF	3	TROUSSE, cuve avec brûleur
GG	3	TROUSSE, brûleur avec tube de répartition
HH	1	Électrode avec fil d'allumage, 400 mm
II	1	Électrode avec fil d'allumage, 660 mm
JJ	1	Électrode avec fil d'allumage, 860 mm
KK	1	TROUSSE, console de commande avec ensemble robinet et commutateurs
LL	1	NÉCESSAIRE, Module Commutateur d'allumage, avec des fils
MM	1	TROUSSE, interrupteur, lampe halogène du gril
NN	3	Indicateur de température, montage complet avec bride
OO	3	Ampoules DEL
PP	1	Faisceau de câbles DEL
QQ	3	Bouton de contrôle
RR	3	TROUSSE, Balai pour bouton de contrôle
SS	1	TROUSSE, tablette de brûleur latéral

Légende	Qtá.	Description
TT	2	Bouton de contrôle pour brûleur latéral
UU	2	TROUSSE, Balai pour bouton de contrôle pour brûleur latéral
VV	1	Grille brûleur latéral, fil en acier inoxydable
WW	1	TROUSSE, brûleurs pour brûleur latéral double
XX	1	TROUSSE, couvercle de brûleur latéral
YY	1	Plaque brûleur latéral avec butée de couvercle
ZZ	1	TROUSSE, électrode, pour brûleur latéral avec câble électrique
AAA	1	NÉCESSAIRE, Défecteur
BBB	3	TROUSSE, bouclier thermique de la chambre de combustion
CCC	1	Ensemble plateau de récupération des graisses
DDD	1	TROUSSE, supports de bac à graisse (JEU de 2)
EEE	1	Porte-allumette, avec chaîne
FFF	1	TROUSSE, postes de montage pour foyer, (JEU de 4)
GGG	1	TROUSSE, supports de tige de rôtissoire, (JEU de 2)
Non illustré		
...	1	Trousse de quincaillerie
...	1	Guide d'assemblage, anglais, espagnol, français
...	1	Guide de produit, anglais, espagnol, français
...	1	Couvercle de gril
...	1	TROUSSE, rôtissoire
...	1	Tige de rôtissoire

PIÈCES SCHÉMA





URGENCES : si une fuite de gaz ne peut pas être arrêtée, ou si un incendie se propage en raison d'une fuite de gaz, appelez le service d'incendie.

Urgences	Cause possible	Prévention/Solution
Fuite de gaz sur un tuyau cassé, coupé ou brûlé.	<ul style="list-style-type: none"> Tuyau endommagé. 	<ul style="list-style-type: none"> Fermez l'alimentation en gaz au niveau du réservoir ou à la source au niveau du système de distribution du gaz naturel. Quelle que soit la cause du problème, à l'exception d'un endommagement des composants par le feu, remplacez le système de valve, le tuyau ou le régulateur. Si les composants sont brûlés, cessez d'utiliser l'appareil jusqu'à ce qu'un technicien ou un plombier du service de gaz ait déterminé la cause du problème et ait procédé aux mesures correctives nécessaires.
Fuite de gaz du réservoir de GPL.	<ul style="list-style-type: none"> Défaillance mécanique due à la rouille ou à une mauvaise manipulation. 	<ul style="list-style-type: none"> Remplacez le réservoir de gaz.
Fuite de gaz de la valve du réservoir de GPL.	<ul style="list-style-type: none"> Défaillance de la valve du réservoir due à une mauvaise manipulation ou à une défaillance mécanique. 	<ul style="list-style-type: none"> Fermez l'alimentation en gaz au niveau de la valve du réservoir de GPL. Rappelez le réservoir de GPL au fournisseur.
Fuite de gaz entre le réservoir de GPL et le raccord du régulateur.	<ul style="list-style-type: none"> Installation incorrecte, connexion non étanche, défaillance du joint d'étanchéité. 	<ul style="list-style-type: none"> Fermez l'alimentation en gaz au niveau de la valve du réservoir. Retirez le régulateur du réservoir et vérifiez par inspection visuelle si le joint d'étanchéité a été endommagé ou non. Consultez les sections « Essai d'étanchéité d'un réservoir de GPL » et « Connexion du régulateur au réservoir de GPL ».
Feu sortant du panneau de commande.	<ul style="list-style-type: none"> Feu dans le tube du brûleur au niveau du brûleur dû à un blocage. 	<ul style="list-style-type: none"> Fermez tous les boutons de réglage, ainsi que la valve du réservoir. Laissez le couvercle ouvert pour permettre aux flammes de s'éteindre. Une fois le feu éteint et l'appareil refroidi, enlevez le brûleur et inspectez-le afin d'identifier la présence de rouille ou de nids d'araignées. Consultez les pages concernant les dangers naturels et celles sur le nettoyage du brûleur.
Feu de graisse ou grosses flammes continues au dessus de la surface de cuisson.	<ul style="list-style-type: none"> Accumulation excessive de graisse autour du brûleur. 	<ul style="list-style-type: none"> Fermez tous les boutons de réglage, ainsi que la valve du réservoir. Laissez le couvercle ouvert pour permettre aux flammes de s'éteindre. Une fois le refroidissement terminé, enlevez les particules d'aliments et la graisse accumulés à l'intérieur du foyer, du plateau d'écoulement de la graisse et des autres surfaces.

Dépannage

Problème	Cause possible	Prévention/Solution
<p>Le dispositif d'allumage n'allume pas le(s) brûleur(s). (Voir également la section Dépannage pour les dispositifs d'allumage électroniques)</p> <p><i>suite à la page suivante.</i></p>	<p>PROBLÈMES RELATIFS AU GAZ :</p> <ul style="list-style-type: none"> Vous essayez d'allumer le mauvais brûleur. Le brûleur n'est pas branché au système de valve. Le brûleur est obstrué. Le gaz ne circule pas. Il y a un bouchon de vapeur au niveau de l'écrou de raccord du réservoir de GPL. L'écrou de raccord et le réservoir de GPL ne sont pas complètement branchés. <p>PROBLÈMES ÉLECTRIQUES :</p> <ul style="list-style-type: none"> L'électrode est fendue ou cassée. Des étincelles se produisent à l'endroit de la fissure. La pointe de l'électrode n'est pas placée au bon endroit. Des fils ou l'électrode sont couverts de résidus de cuisson. Les fils sont débranchés ou le contact est mauvais. Court-circuit (étincelles) entre le dispositif d'allumage et l'électrode. La pile est épuisée. 	<ul style="list-style-type: none"> Voir les instructions sur le panneau de commande et dans la section Utilisation et entretien. Assurez-vous que le système de valve est bien inséré dans les tubes du brûleur. Assurez-vous que les tubes du brûleur ne sont pas obstrués par des toiles d'araignées ou par d'autres matières. Voir la section sur le nettoyage et l'entretien. Vérifiez que le réservoir de GPL n'est pas vide. Si le réservoir de GPL n'est pas vide, consultez l'article « Baisse subite de la circulation du gaz ». Fermez tous les boutons de réglage et débranchez l'écrou de raccord du réservoir de gaz. Rebranchez-le et essayez à nouveau. Tournez l'écrou de raccord d'environ un demi-tour ou de trois quarts de tour supplémentaire jusqu'à ce qu'il soit bloqué à fond. Ne serrez qu'à la main - n'utilisez pas d'outils. Remplacez la ou les électrodes. <p>Brûleurs principaux :</p> <ul style="list-style-type: none"> La pointe de l'électrode doit être orientée vers l'orifice de gaz du brûleur. La distance doit se situer entre 1/8 po et 1/4 po. Ajustez au besoin. <p>Brûleur latéral :</p> <ul style="list-style-type: none"> La pointe de l'électrode doit être orientée vers l'orifice de gaz du brûleur. La distance doit se situer entre 1/8 po et 3/16 po. Ajustez au besoin. <ul style="list-style-type: none"> Nettoyez les fils ou les électrodes au moyen d'alcool à friction et d'un chiffon propre. Rebranchez les fils ou remplacez les électrodes et les fils. Remplacez le câble d'allumage ou l'électrode. Remplacez par une nouvelle pile alcaline.

Dépannage (suite)

Problème	Cause possible	Prévention/Solution
Le dispositif d'allumage n'allume pas le(s) brûleur(s). (Voir également la section Dépannage pour les dispositifs d'allumage électroniques)	ALLUMAGE ÉLECTRONIQUE : <ul style="list-style-type: none"> • Pas d'étincelles, pas de bruit d'allumage. • Pas d'étincelles, quelques bruits d'allumage. • Les étincelles sont présentes, mais pas au niveau de l'électrode ou pas à pleine puissance. 	<ul style="list-style-type: none"> • Reportez-vous à la section I du système d'allumage électronique. • Reportez-vous à la section II du système d'allumage électronique. • Reportez-vous à la section III du système d'allumage électronique.
Le brûleur ne s'allume pas avec des allumettes.	<ul style="list-style-type: none"> • Consultez la section « P ROBLÈMES RELATIFS AU GAZ » à la page précédente. • L'allumette est trop courte. • Méthode incorrecte d'allumage avec une allumette. 	<ul style="list-style-type: none"> • Utilisez des allumettes à tige longue (allumettes conçues pour l'allumage de foyers). • Reportez-vous à la section « Allumage avec une allumette » dans le manuel d'utilisation et d'entretien.
Baisse subite du flux de gaz ou flamme faible.	<ul style="list-style-type: none"> • Le gaz est épuisé. • La soupape de remplissage excessif a été déclenchée. • Il existe un bouchon de vapeur au niveau de l'écrou de raccord du réservoir de GPL. 	<ul style="list-style-type: none"> • Vérifiez que le réservoir de GPL contient bien du gaz. • Fermez les boutons, attendez 30 secondes et allumez le gril. Si les flammes sont toujours faibles, fermez les boutons et la valve du réservoir. Débranchez le régulateur. Rebranchez le régulateur et faites un essai d'étanchéité. Ouvrez la valve du réservoir, attendez 30 secondes, puis allumez le gril. • Fermez tous les boutons de réglage, ainsi que la valve du réservoir. Débranchez l'écrou de raccord du réservoir. Rebranchez-le et essayez de nouveau.
Les flammes s'éteignent.	<ul style="list-style-type: none"> • Vents forts ou rafales. • Niveau de gaz bas. • La soupape de remplissage excessif a été déclenchée. 	<ul style="list-style-type: none"> • Tournez le gril afin de faire face au vent ou augmentez la hauteur des flammes. • Remplissez le réservoir de gaz. • Reportez-vous à la section « Baisse subite de l'écoulement du gaz » ci-dessus.
Flambées soudaines.	<ul style="list-style-type: none"> • Accumulation de graisse. • Excès de gras dans la viande. • Température de cuisson excessive. 	<ul style="list-style-type: none"> • Nettoyez les brûleurs et la partie intérieure du gril ou du foyer. • Enlevez le gras de la viande avant la cuisson. • Ajustez (abaissez) la température selon le cas.
Incendie de graisse persistant.	<ul style="list-style-type: none"> • Graisse coincée par l'accumulation de nourriture autour du système du brûleur. 	<ul style="list-style-type: none"> • Tournez les boutons en position d'arrêt  (OFF). Fermez l'alimentation en gaz au niveau du réservoir de GPL. Laissez le couvercle en position et laissez le feu s'épuiser. Lorsque le gril a refroidi, enlevez et nettoyez toutes les pièces.
Retour de flamme... (incendie dans les tubes du brûleur).	<ul style="list-style-type: none"> • Le brûleur ou les tubes du brûleur sont bloqués. 	<ul style="list-style-type: none"> • Tournez les boutons en position d'arrêt  (OFF). Nettoyez les brûleurs ou les tubes de brûleur. Voir la section sur le nettoyage du brûleur du manuel d'utilisation et d'entretien.
Impossibilité de remplir le réservoir cylinder.	<ul style="list-style-type: none"> • Certains distributeurs utilisent de vieilles buses de remplissage dont le filetage est usé. 	<ul style="list-style-type: none"> • Les buses usées n'offrent pas assez de filetage pour se brancher à la valve. Essayez un autre distributeur de GPL.
Un brûleur ne s'allume pas à partir d'autres brûleurs.	<ul style="list-style-type: none"> • Accumulation de graisse ou de particules d'aliments dans le(s) extrémité(s) des renforts de tube. 	<ul style="list-style-type: none"> • Nettoyez le(s) renfort(s) de tube au moyen d'une brosse métallique.

Dépannage – Allumage électronique

Problème (allumage)	Cause possible	Vérification de la procédure	Prévention/Solution
SECTION I Pas d'étincelles apparaissent à tout moment des électrodes d'allumage électronique Buttonis pressés, pas de bruit peut être entendu à partir de bougies module.	<ul style="list-style-type: none"> • La pile n'est pas installée correctement. • La pile est épuisée. • Le bouton n'est pas installé correctement. • Le module de production d'étincelles est défectueux. 	<ul style="list-style-type: none"> • Vérifiez l'orientation de la pile. • Cette pile a-t-elle déjà été utilisée? • Vérifiez que le filetage est bien engagé. Le bouton doit se déplacer librement de haut en bas. • Si aucune étincelle n'est produite avec une nouvelle pile et un bon raccord de fils, le module est défectueux. 	<ul style="list-style-type: none"> • Installez la pile (assurez-vous que les polarités « - » et « + » sont orientées correctement, avec le côté « - » vers le haut et le côté « + » vers le bas.) • Remplacez la pile avec une nouvelle pile alcaline. • Desserrez l'assemblage du capuchon du bouton et installez-le de nouveau, en vous assurant que le filetage est aligné et engagé complètement. • Remplacez le module d'étincelles.
SECTION II Pas d'étincelles apparaissent à tout moment des électrodes d'allumage électronique Buttonis pressé, le bruit peut être entendu à partir de bougies module.	<ul style="list-style-type: none"> • Les fils de sortie ne sont pas branchés. 	<ul style="list-style-type: none"> • Les fils de sortie sont-ils branchés et étanches? 	<ul style="list-style-type: none"> • Enlevez et rebranchez tous les fils de sortie du module et des électrodes.
SECTION III Des étincelles sont présentes, mais pas vis-à-vis de toutes les électrodes ou alors, les étincelles ne sont pas à pleine puissance.	<ul style="list-style-type: none"> • Les fils de sortie ne sont pas branchés. • Amorçage d'arc électrique loin des brûleurs. • Pile faible. • Les électrodes sont mouillées. • Les électrodes sont fendues ou cassées. Des étincelles apparaissent à l'endroit de la fissure. 	<ul style="list-style-type: none"> • Les fils de sortie sont-ils branchés et étanches? • Si possible, observez le gril dans l'obscurité. Faites fonctionner le dispositif d'allumage et cherchez l'amorçage de l'arc entre les fils de sortie et le cadre du gril. • Toutes les étincelles sont présentes, mais faibles ou lentes. • Y-a-t-il une accumulation d'humidité sur l'électrode ou dans les ouvertures du brûleur? • Examinez les électrodes pour d'éventuelles fissures. 	<ul style="list-style-type: none"> • Enlevez et rebranchez tous les fils de sortie du module et des électrodes. • Si vous voyez des étincelles autres que celles des brûleurs, les fils d'isolation sont peut-être endommagés. Remplacez les fils. • Remplacez la pile avec une nouvelle pile alcaline. • Essuyez l'humidité avec une serviette de papier. • Remplacez les électrodes fendues ou cassées.

Résolution des problèmes - Voyants DEL

Problème (voyants)	Cause potentielle	Procédure de vérification	Prévention/solution
Les voyants DEL NE s'allument PAS lorsque l'interrupteur du voyant est allumé, mais l'interrupteur s'allume.	Les câbles électriques DEL sont déconnectés. Voyant(s) DEL défaillant(s).	Vérifier que les câbles électriques à chaque terminal de cosse DEL sont bien connectés et ne sont pas lâches. Si la connexion à la DEL est bonne et que les autres voyants DEL fonctionnent, DEL défaillante.	Reconnecter les câbles électriques aux connecteurs à fourche sur la DEL. Si les fils électriques se détachent et sont lâches, contacter Saber pour le remplacement des pièces sous garantie. Contacter Saber pour le remplacement de la pièce sous garantie.
Les voyants DEL NE s'allument PAS lorsque l'interrupteur de voyant est allumé, ET l'interrupteur de voyant DEL NE s'allume PAS.	Câbles conducteurs du transformateur déconnectés (si utilisés). Faisceau de câbles électriques de l'interrupteur déconnectés.	Vérifier que le connecteur de sortie du transformateur est fixé et qu'il n'est pas bloqué avec des câbles électriques lâches au niveau des connecteurs. Vérifier que le faisceau de câbles électriques de l'interrupteur est connecté correctement à l'arrière de l'interrupteur.	Rebrancher les connecteurs des fils du transformateur. Si les câbles électriques se détachent des connecteurs, contacter Saber pour le remplacement des pièces sous garantie. Reconnecter le faisceau de câbles électriques de l'interrupteur en s'assurant que le faisceau est attaché à l'interrupteur.
Les voyants DEL s'allument lorsque l'interrupteur du voyant est allumé, mais l'interrupteur du voyant DEL NE s'allume PAS.	Interrupteur de voyant DEL défaillant.	Le faisceau de câbles électriques de l'interrupteur est attaché et les voyants DEL s'allument.	Contacter Saber pour le remplacement de la pièce sous garantie.