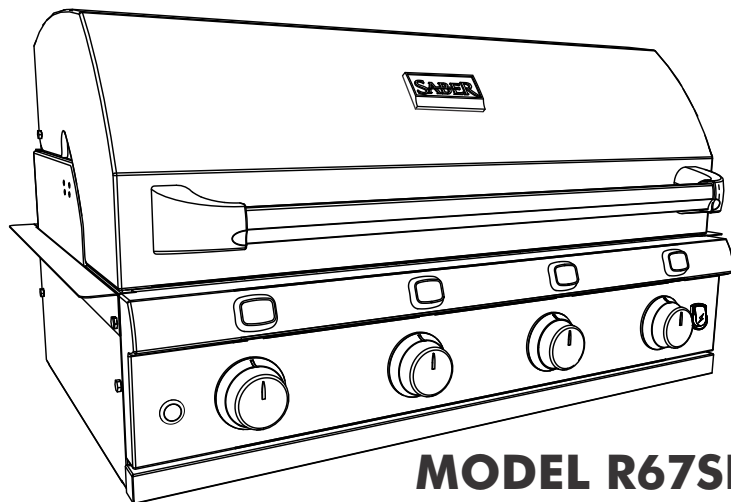


MODEL R50SB0417



MODEL R67SB0317

IMPORTANT: Fill out the product record information below.

Place serial number label here
Serial Number

Date Purchased

If you have questions or need assistance during assembly, please call

1-888-94-SABER

1-888-947-2237

**VISIT SABERGRILLS.COM FOR
START-UP TIPS, RECIPES, SUPPORT,
AND PRODUCT REGISTRATION**



**CONVERSION TO LP GAS MUST BE PERFORMED
BY A CERTIFIED GAS TECHNICIAN:**



- LP Conversion Kit Model A00AA5517 must be used. Sold separately.
- Additional enclosure ventilation is required.
- An LP cylinder retaining bracket must be added to the enclosure.
- Easy access to the LP cylinder must be provided in the enclosure construction.
- See the instructions provided with LP conversion kit Model A00AA5517 for enclosure construction requirements for remote LP gas systems.



TABLE OF CONTENTS


For Your Safety	2-3
Use and Care	4-6
Location Planning	7
Unpacking	8
Grill Assembly	9
Installation	10-16
Grill Light Operation	17-18
Warranty	19-21
R50SB0417 Parts List	22
R50SB0417 Parts Diagram	23
R67SB0317 Parts List	24
R67SB0317 Parts Diagram	25
Troubleshooting	26-28



Safety Symbols



The symbols and boxes shown below explain what each heading means. Read and follow all of the messages found throughout the manual.

	WARNING	
<p>WARNING: Indicates a potentially hazardous situation, which, if not avoided, could result in death or serious injury.</p>		

	CAUTION	
<p>CAUTION: Indicates a potentially hazardous situation, which, if not avoided, could result in minor or moderate injury.</p>		

	DANGER	
<p>DANGER: Indicates an imminently hazardous situation which, if not avoided, will result in death or serious injury.</p>		

	DANGER	
<p>If you smell gas:</p> <ol style="list-style-type: none">1. Shut off gas to the appliance.2. Extinguish any open flame.3. Open lid.4. If odor continues, keep away from the appliance and immediately call your gas supplier or your fire department.		

	WARNING	
<ol style="list-style-type: none">1. Do not store or use gasoline or other flammable liquids or vapors in the vicinity of this or any other appliance.2. An LP cylinder not connected for use shall not be stored in the vicinity of this or any other appliance.		


	CAUTION	
<p>For residential use only. Do not use for commercial cooking.</p>		

THIS GRILL IS FOR OUTDOOR USE ONLY.

 **CAUTION:**
Read and follow all safety statements, assembly instructions, and use and care directions before attempting to assemble and cook.

INSTALLER/ASSEMBLER:
Leave this manual with consumer.

CONSUMER:
Keep this manual for future reference.

 **WARNING:**
Failure to follow all manufacturer's instructions could result in serious personal injury and/or property damage

 **CAUTION:**
Some parts may contain sharp edges-especially as noted in the manual! Wear protective gloves if necessary.

WARNING

CALIFORNIA PROPOSITION 65

1. Combustion by-products produced when using this product contain chemicals known to the State of California to cause cancer, birth defects, and other reproductive harm.
2. This product contains chemicals, including lead and lead compounds, known to the State of California to cause cancer, birth defects or other reproductive harm.

Wash your hands after handling this product.

Installation Safety Precautions

- Use grill, as purchased, only with natural gas and the regulator/valve assembly supplied. A conversion kit must be purchased for use with LP (propane) gas.
- Grill installation must conform with local codes, or in their absence of local codes, with either the *National Fuel Gas Code, ANSI Z223.1/ NFPA 54, Natural Gas and Propane Installation Code, CSA B149.1, or Propane Storage and Handling Code, B149.2.*
- All electrical accessories (such as rotisserie) must be electrically grounded in accordance with local codes, or *National Electrical Code, ANSI / NFPA 70 or Canadian Electrical Code, CSA C22.1.* Keep any electrical cords and/or fuel supply hoses away from any hot surfaces.
- This grill is safety certified for use in the United States and/or Canada only. Do not modify for use in any other location. Modification will result in a safety hazard.
- The pressure regulator and hose assembly supplied must be used and replacements must be those specified by appliance manufacturer.

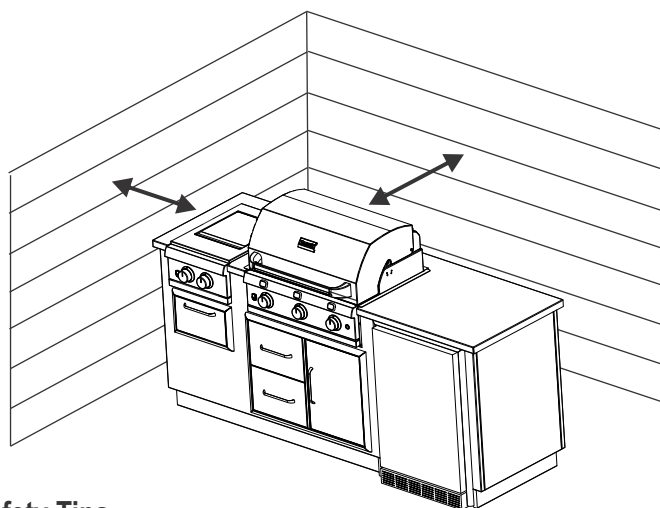
WARNING

Do not attempt to repair or alter the natural gas regulator for any “assumed” defect. Any modification to this assembly will void your warranty and create the risk of a gas leak and fire. Use only authorized replacement parts supplied by manufacturer.

WARNING

For Safe Use of Your Grill and to avoid serious injury:

- Do not let children operate or play near grill.
- Keep grill area clear and free from materials that burn.
- Do not block vent holes in sides or back of grill.
- Check burner flames regularly.
- Use grill only in well-ventilated space. NEVER use in enclosed space such as carport, garage, porch, covered patio, or under an overhead structure of any kind.
- Do not use charcoal or ceramic briquets in a gas grill.
- **Use grill at least 3 ft. from any wall or surface.** Maintain 10 ft. clearance to objects that can catch fire or sources of ignition such as pilot lights on water heaters, live electrical appliances, etc.



Safety Tips

- When grill is not in use, turn off all control knobs and gas valve.
- Use long-handled barbecue utensils and oven mitts to avoid burns and splatters.
- The grease tray must be inserted into grill during use and emptied after each use. Do not remove grease tray until grill has completely cooled.
- Clean grill often, preferably after each cookout. If a bristle brush is used to clean any of the grill cooking surfaces, ensure no loose bristles remain on cooking surfaces prior to grilling. It is not recommended to clean cooking surfaces while grill is hot.
- If you notice grease or other hot material dripping from grill onto valve, gas tubing or regulator, turn off gas supply at once. Determine the cause, correct it, then clean and inspect valve, gas tubing and regulator before continuing. Perform a leak test.
- The natural gas regulator may make a humming or whistling noise during operation. This will not affect safety or use of grill.
- If you have a grill problem see the “*Troubleshooting Section*”.

USE AND CARE



DANGER



Do not insert any tool or foreign object into the valve outlet. You may damage the valve and cause a leak. Leaking gas may result in explosion, fire, severe personal injury, or death.



WARNING



- Outdoor gas appliance is not intended to be installed in or on a boat.
- Outdoor gas appliance is not intended to be installed in or on an RV.
- Never attempt to attach this grill to the self-contained gas system of a camper trailer or motor home.
- Do not use grill until leak-tested.
- If a leak is detected at any time, STOP and call the fire department.
- If you cannot stop a gas leak, *immediately* close gas valve and call gas supplier or your fire department!





CAUTION

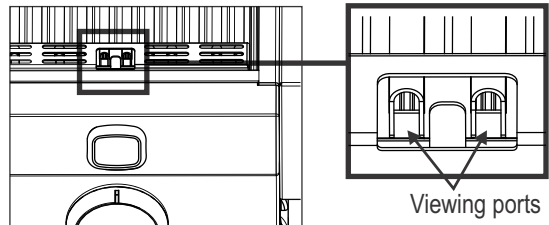



- Putting out grease fires by closing the lid is not possible. Grills are well ventilated for safety reasons..
- Do not use water on a grease fire. Personal injury may result. If a grease fire develops, turn knobs and gas valve off.
- Do not leave grill unattended while reheating or burning off food residue on HI. If grill has not been regularly cleaned, a grease fire can occur that may damage the product.

Main Burner Ignitor Lighting

Do not lean over grill while lighting.

1. Turn all control knobs to  OFF.
2. Turn ON gas source.
3. **Open lid during lighting.**
4. To ignite, push and turn burner control knob to .
5. Push and hold **ELECTRONIC IGNITION** button until the burner lights (use flame viewing ports to verify).



6. If ignition does **NOT** occur in 5 seconds, turn the control knobs to  OFF, wait 5 minutes, and repeat the lighting procedure.
7. Ignite remaining burners by repeating steps 4 through 6 for each burner.
8. Once each burner has ignited, turn control knobs to desired setting.



WARNING



Turn controls and gas source OFF when not in use.





CAUTION

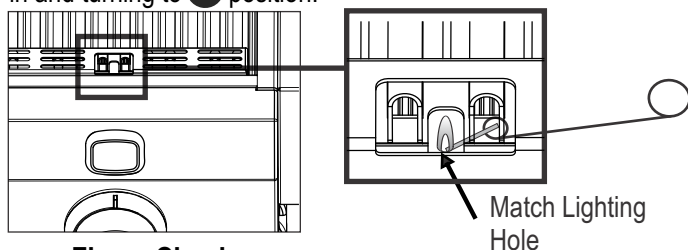


If ignition does NOT occur in 5 seconds, turn the control knobs OFF, wait 5 minutes and repeat the lighting procedure. If the burner does not ignite with the valve open, gas will continue to flow out of the burner and could accidentally ignite with risk of injury.

Main Burner Match-Lighting

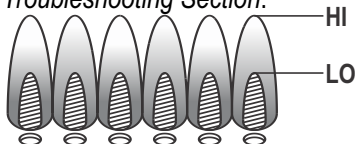
Do not lean over grill while lighting.

1. Turn all control knobs to **OFF**.
2. Turn **ON** gas at LP cylinder.
3. **Open lid during lighting.**
4. Place match into match holder (located on the right side of the grill). Light match, place into the lighting hole at front of the far right cooking grate.
5. Push in and turn far left control knob to  position. Once burner has ignited (use flame viewing ports to verify), turn control knob to desired setting.
6. If ignition does **NOT** occur in 5 seconds, turn the control knob to **OFF**, wait 5 minutes, and repeat the lighting procedure.
7. Light adjacent burners in sequence by pushing control knob in and turning to  position.



Burner Flame Check

- Remove cooking grates and emitters. Light burners, rotate control knobs from **HI** to **LO**. You should see a smaller flame in **LO** position than seen on **HI**. Always check flame prior to each use. If only low flame is seen refer to “Sudden drop or low flame” in the *Troubleshooting Section*.



Turning Grill Off

- Turn all control knobs to **OFF** position. Turn gas **OFF** at the gas source.

Ignitor Check

- Turn gas **OFF** at gas source. Press and hold electronic ignition button. “Click” should be heard and spark seen each time between collector box or burner and electrode. See “*Troubleshooting*” if no click or spark.

Valve Check

- **Important: Make sure gas is turned OFF at the gas source before checking valves.** Control knobs lock in the **OFF** position. To check valves, first push in control knobs and release, control knobs should spring back. If control knobs do not spring back, replace valve assembly before using grill. Turn control knobs to **LO** position then turn back to **OFF** position. Valves should turn smoothly.

Hose Check

- Before each use, check to see if stainless steel flex hoses are cut or worn. Replace damaged hoses before using grill. Use only natural gas hose and regulator specified by manufacturer.

Quick Start Tips

Preheating for different types of grilling:

- Sear - preheat with all burners set to **HI** for maximum cooking grate temperatures.
- Barbecue - preheat with all burners set to **LO** for a lower starting grate temperature for grilling foods slower.
- Indirect grilling - preheat one burner only on the side opposite where the food will be placed to allow the slowest and lowest grilling for larger cuts of meat.
- Roasting - place the warming rack on the lower supports and use burner(s) directly under the food on **LO** or indirectly for lower temperature cooking. This will allow more heat to circulate around the food during grilling.

Lowering the temperature of the cooking grate:

- Control knob - turn the control knob to the **LO** setting for the lowest temperature setting.
- Control knob - for the lowest cooking grate temperatures the food can be grilled indirectly with the burner under the food in the **OFF** position and a single burner away from the food on **LO**.
- During grilling the grill can be cooled down faster by lifting the lid while adjusting the control knobs to a lower setting.

Adding a smoked flavor while grilling:

- **DO NOT USE wood chunks on a Saber grill cooking grate.**
- Wood chips or pellets can be used by placing them between the cooking grate bars. Soaking the wood chips for a minimum of 15 minutes prior to use will extend the smoking time.
- A smoker box (sold separately) can be used by filling it with wood chips and placing it directly on the cooking grate with the burner on the **HI** or **LO** setting.

General Grill Cleaning

Do not mistake brown or black accumulation of grease and smoke for paint or porcelain. Apply a strong solution of detergent and water or use a grill cleaner with scrub brush on insides of grill lid and bottom. Rinse and allow to completely air dry.

DO NOT APPLY a caustic grill/oven cleaner to painted surfaces.

- **Plastic parts:** Wash with warm soapy water and wipe dry. **DO NOT USE citrisol, abrasive cleaners, degreasers, or a concentrated grill cleaner on plastic parts. Damage to and failure of parts can result.**
- **Porcelain surfaces:** Because of glass-like composition, most residue can be wiped away with baking soda/water solution or specially formulated cleaner. Use non-abrasive scouring powder on stubborn stains.
- **Painted surfaces:** Wash with mild detergent or non-abrasive cleaner and warm soapy water. Wipe dry with a soft non-abrasive cloth.


General Grill Cleaning (con't.)

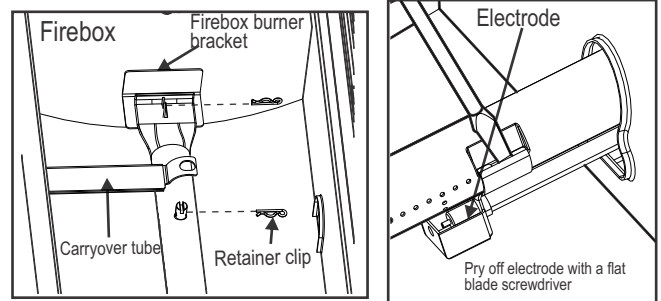
Stainless steel surfaces: To maintain your grill's high quality appearance, wash with mild detergent and warm soapy water and wipe dry with a soft cloth after each use. Baked-on grease deposits may require the use of an abrasive plastic cleaning pad. Use only in direction of brushed finish to avoid damage. Do not use abrasive pad on areas with graphics.

Cooking surfaces: If a bristle brush is used to clean any of the grill cooking surfaces, ensure no loose bristles remain on cooking surfaces prior to grilling. It is not recommended to clean cooking surfaces while grill is hot.

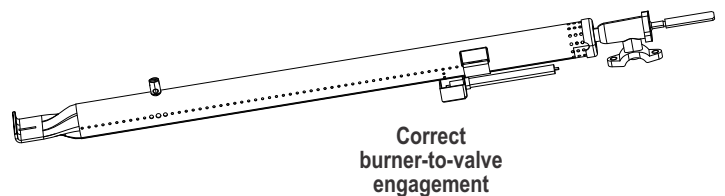
Cleaning the Burner Assembly

Follow these instructions to clean and/or replace parts of burner assembly or if you have trouble igniting grill.

1. Turn gas  OFF at control knobs and gas source.
2. Remove cooking grates and emitters.
3. Remove retaining clips and carryover tubes from rear of burners.
4. Using a flat blade screwdriver pry off the electrode from each burner. Electrode should remain in burner box.
5. Carefully lift each burner up and away from valve openings.



6. We suggest three ways to clean the burner tubes. Use the one easiest for you:
 - (A) Bend a stiff wire (a light-weight coat hanger works well) into a small hook. Run the hook through each burner tube several times.
- (B) Use a narrow bottle brush with a flexible handle (do not use a brass brush). Run the brush through each burner tube several times.
- (C) Wear ear protection - use an air hose to force air into the burner tube and out the burner ports. Check each port to make sure air comes out each hole.
7. Wire brush entire outer surface of burner to remove food residue and dirt.
8. Clean any blocked ports with a stiff wire such as an open paper clip.
9. Check burner for damage due to normal wear and corrosion. Some holes may become enlarged. If any large cracks or holes are found, replace burner.
10. Re-attach electrode to burner.
11. Carefully replace burners. **VERY IMPORTANT:** Burner tubes must re-engage valve opening.

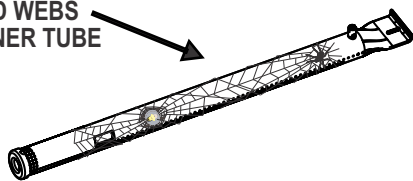


12. Re-attach burners to brackets inside burner box.
13. Reposition carryover tubes and re-attach to burners.
14. Replace emitters and cooking grates.

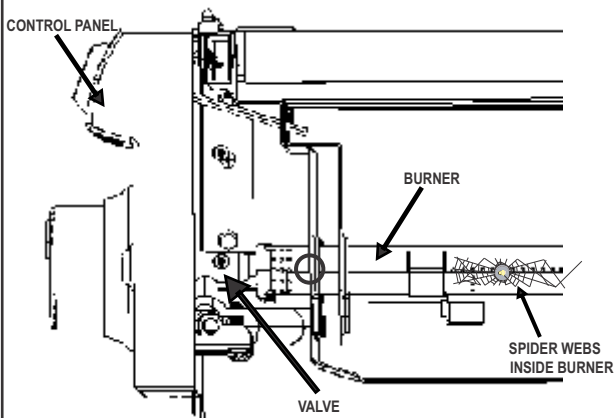


SPIDER ALERT!

SPIDER AND WEBS
INSIDE BURNER TUBE



If you notice that your grill is getting hard to light or that the flame isn't as strong as it should be, take the time to check and clean the burners.



In some areas of the country, spiders or small insects have been known to create "flashback" problems. The spiders spin webs, build nests and lay eggs in the grill's burner tube(s) obstructing the flow of gas to the burner. The backed-up gas can ignite in the burner behind the control panel. This is known as a flashback and it can damage your grill and even cause injury.

To prevent flashbacks and ensure good performance the burner assembly should be removed from the grill and cleaned before use whenever the grill has been idle for an extended period.

Storing Your Grill

- Clean cooking grates.
- Cover grill when stored outdoors. Choose from a cover offered by the manufacturer.
- When removing grill from storage, follow "Cleaning the Burner Assembly" instruction before starting grill.

LOCATION PLANNING

The following should be considered when determining where to place your new built-in grill outdoor kitchen construction. It is best to identify the location of the kitchen prior to beginning any set up.

Plan for easy access to the house considering weather conditions like frequent rain or snow that would make it more convenient to have the kitchen located close to an entryway. Be sure to allow space for entertaining around the sides of the kitchen as it will become a gathering area during outdoor events. Ventilation is a key to the kitchen performance and smoke exhaust should be considered when identifying a location. The grill will smoke so consider the prevailing wind direction and position the grill so wind blows toward the front of the grill to move the smoke away and provide adequate airflow. Do not place the grill under or near windows that may be opened to your house as smoke will enter easily.

Ensuring proper Combustion Air and Cooling Airflow

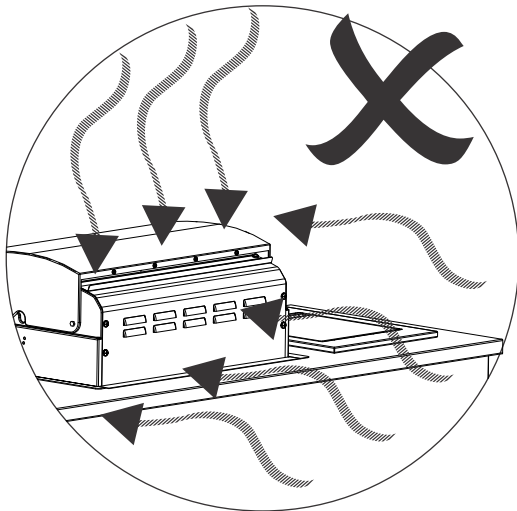
Proper airflow **MUST** be maintained for the grill to perform as it was designed. If airflow is blocked, overheating and poor combustion will result.



Wind blowing into or across the rear grill lid vent can cause poor performance and/or dangerous overheating. Installing the grill in front of a wall or under any overhang can direct the wind downward into the rear grill lid vent creating the same condition and also violates the safety warnings for grill placement (see page 3).
Always construct your built-in grill cabinet so that prevailing winds blow towards the front of the grill.

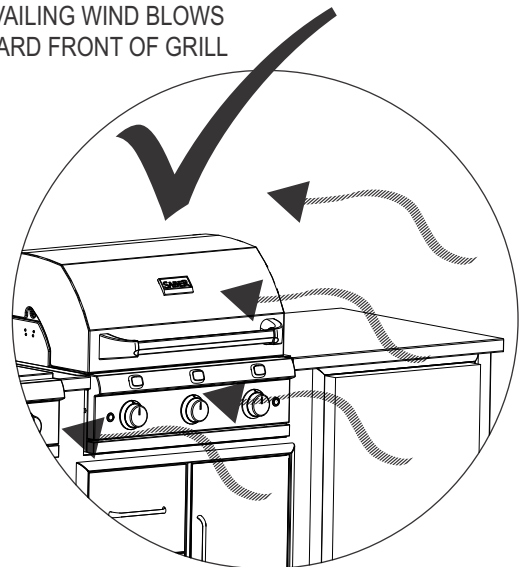
INCORRECT

REAR GRILL VENT MUST BE PROTECTED FROM PREVAILING WIND

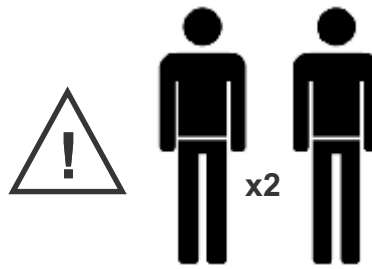


CORRECT

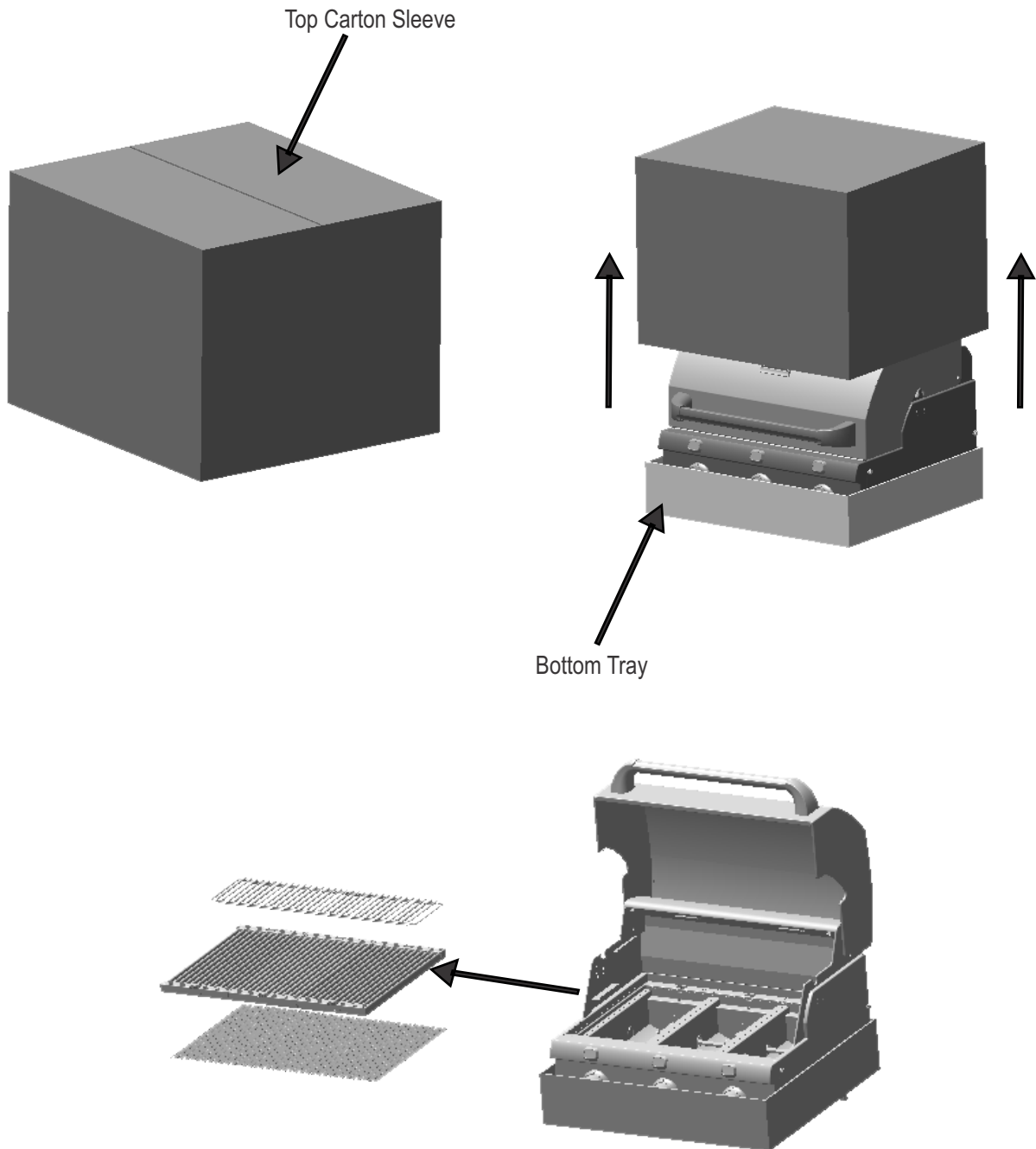
PLACE GRILL SO PREVAILING WIND BLOWS TOWARD FRONT OF GRILL



UNPACKING

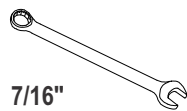
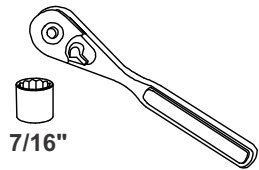


1. Place grill carton on clean level surface.
2. Remove top carton sleeve from bottom tray.
3. Open lid of grill and remove warming rack, emitters, cooking grates, trim flanges and all boxes from inside of grill.



GRILL ASSEMBLY

Tools suggested

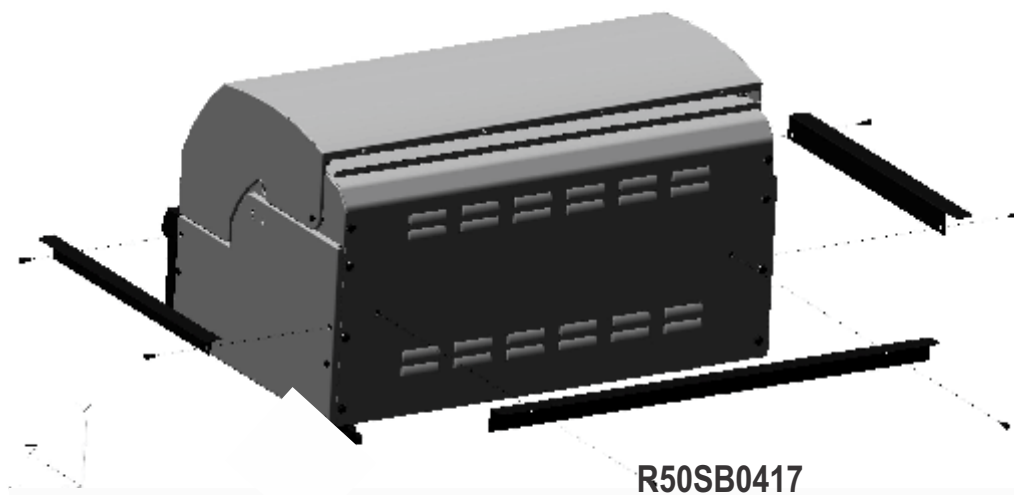


Hardware Required



1/4-20 x 5/8" Hex Bolt - 7
1/4-20 x 5/8" Perno Hexagonal - 7
1/4-20 x 5/8" Boulon Hexagonal - 7

1. Using 1/4-20 x 5/8" hex bolts, attach the (3) grill trim flanges to the grill. Tighten securely.





WARNING



FOR LP GAS CONVERSION:

- Conversion to LP gas must be performed by a certified gas technician.
- LP Conversion Kit Model A00AA5517 must be used. Specific details for enclosure construction are included in the conversion kit instructions.
- Additional enclosure venting construction is required.
- A tank mounting bracket must be added to enclosure (provided with conversion kit).

INSTALLATION

Materials included: Built-In Grill Unit
 Materials not included: Enclosure construction materials, support brackets for built-in unit, fasteners for attachment of support brackets.

NOTE: ENCLOSURE MUST BE CONSTRUCTED OF NON-COMBUSTIBLE MATERIALS.

1. Building The Enclosure:

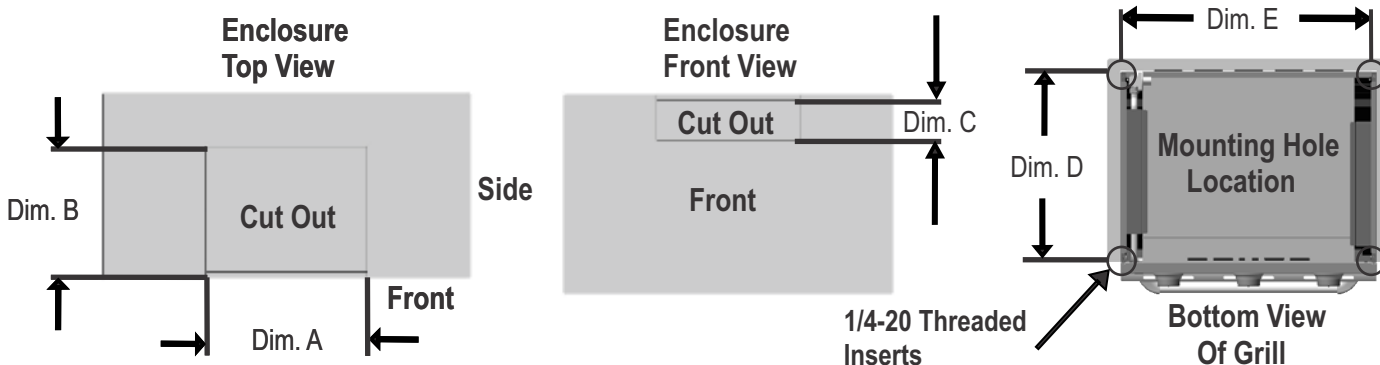
NOTE: If this grill is to be used as a replacement grill in an existing grill enclosure, consult your local contractor to determine if the grill will work correctly with your existing enclosure.

Consult the table below for enclosure cut-out dimensions.

Four 1/4-20 threaded inserts are located on the bottom of the grill to be used to secure the grill to the enclosure (reference mounting hole location). It is recommended that only 1/4-20 304 stainless steel fasteners be used to secure the grill in the enclosure.

NOTE: Area directly beneath the grill must be open. No solid surface.

GRILL MODEL	Dim. A	Dim. B	Dim. C	Dim. D	Dim. E
R50SB0417	28.25"	22.00"	9.00"	20.25"	27.00"
R67SB0317	37.00"	22.00"	9.00"	20.25"	35.63"



INSTALLATION CON'T.

2. Electronic Ignition Module:

NOTE: A licensed electrician should be used to install the ignition module and make any wiring extensions or modifications.

This grill has been supplied with enough wire to mount the ignition module in the location shown in Figure 1.

The ignition module must be mounted so as to have easy access to the battery compartment for battery replacement (see Figure 2).

Connect wires to the small and large connections on the rear of the ignition module (see Figure 3).

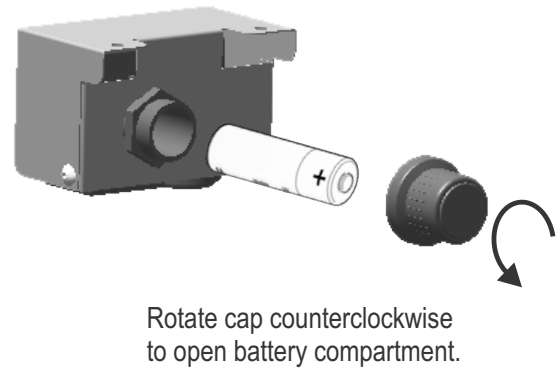
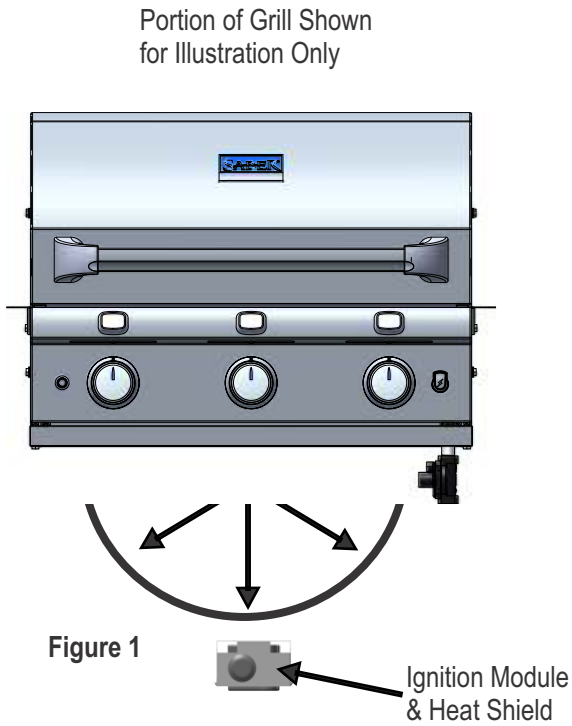
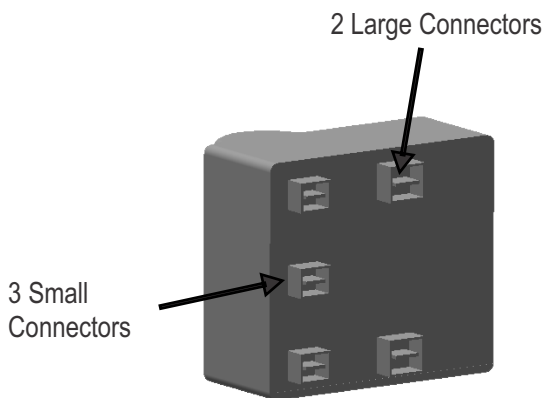


Figure 2



R50SB0417

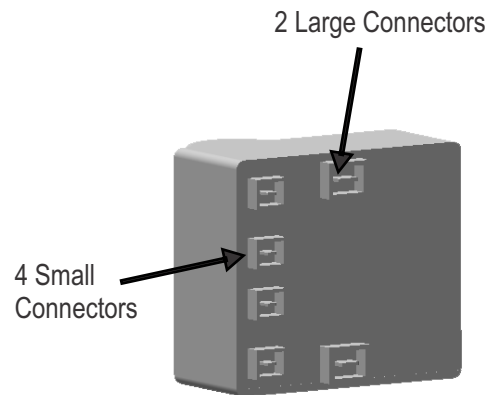


Figure 3

R67SB0317

INSTALLATION CON'T.

3. Electrical Transformer: (Transformer mounting fasteners not provided)

NOTE: A licensed electrician should be used to install the transformer and make any wiring extensions.
A licensed electrician should use fasteners appropriate for the type of materials used to build the enclosure.

This grill has been supplied with enough wire to mount the lighting electrical transformer in the location shown (see Figure 4). The lighting electrical transformer can be mounted in a different location by extending the transformer wires on the low voltage output side of the transformer (see Figure 4). Wire extensions are not provided and should be made of materials with equivalent ratings to the low voltage output wires (see rating printed on each wire). If extending the wires, take care to maintain the factory-provided connections that connect the wires to the other grill components. The transformer must be properly grounded using the grounding wire attached to the transformer. A properly grounded GFI outlet should be installed in proximity to the transformer such that the grounded plug on the high voltage input wires provided easily connects to the GFI outlet. **DO NOT ATTEMPT to extend the high voltage input wires.**

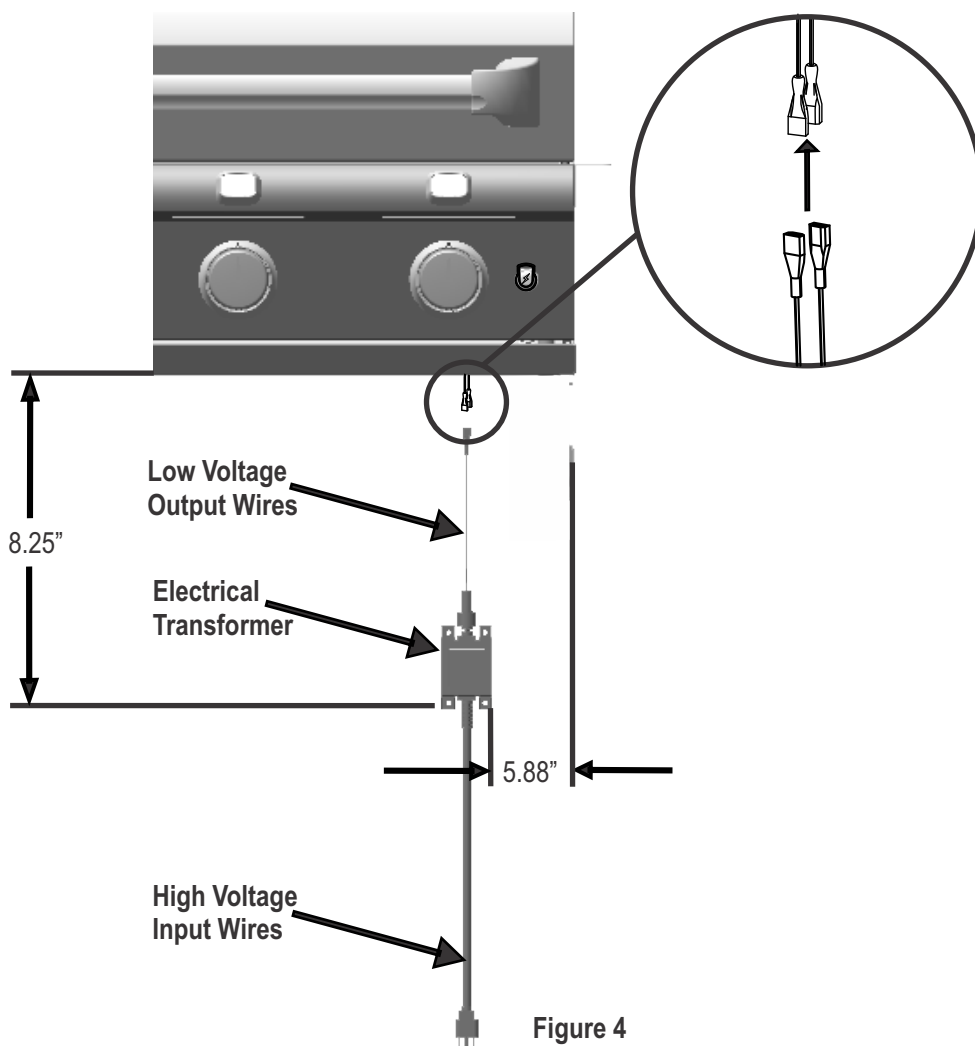
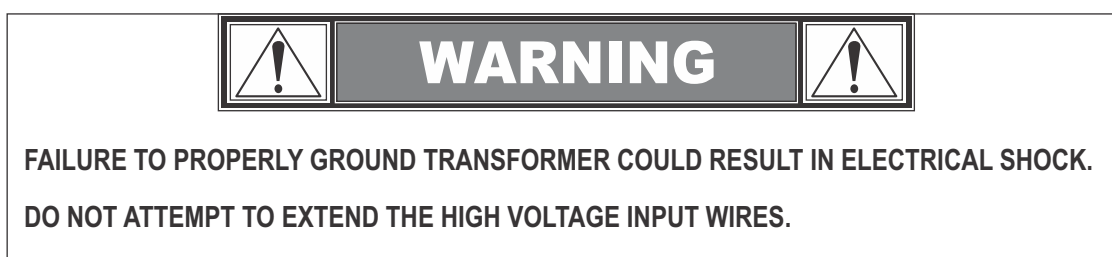


Figure 4

INSTALLATION CON'T.

IMPORTANT

Prior to construction, confirm with your dealer if any permits are required to comply with the state and local codes for natural gas installation.

It is recommended that you use a certified or licensed gas technician to make all natural gas connections.

To allow proper heating performance of the grill, confirm that your home natural gas supply pressure is sufficient to maintain 4.0" W.C. manifold pressure at the appliance (measured while it is in operation). A home natural gas supply pressure of 7"±1.5" W.C. entering the appliance regulator is desirable to achieve 4.0" W.C. outlet pressure at the appliance regulator. If the grill isoperating at a gas pressure lower than 4.0" W.C., the resulting BTU rate for each will decrease resulting in poor heating performance. Decreased gas pressure can also make the appliance more susceptible to blow-out by wind. A certified gas technician can confirm if your home's natural gas supply pressure is acceptable.

Natural Gas Connections and Service Regulators Above 1/2 psi:

Prior to 1998, all residential gas service regulators were set with an outlet pressure of 7 inches water column. In the 1998 edition of NFPA 54, the National Fuel Gas Code, a change was made allowing service regulators of 2 and 5 psi. With this change it was also required that an in line regulator be connected between the service regulator and the appliance regulator if the 2 or 5 psi system is used. This additional regulator is not supplied with the product. It is possible for a consumer, making the connection themselves, or a plumber, not checking, to tap into a 2 or 5 psi line. If a pressure of 2 psi or greater is supplied to the appliance regulator on certain grills it will shut down and not deliver any gas to the grill. The included quick disconnect socket and hose should not be used at pressures above 1/2 psi.

If the grill is properly connected and still not getting gas, delivery pressure needs to be verified. If pressure is greater than 1/2 psi, make sure that an in line regulator is present. Once the grill has been over-pressured, the regulator may or may not have been damaged. The best practice is to replace the regulator.

CAUTION

The grill model R50SB0417 and model R67SB0317 are set for use with natural gas. Both appliances are designed for conversion to LP gas also.

CONVERSION TO LP GAS MUST BE PERFORMED BY A CERTIFIED GAS TECHNICIAN.

LP conversion kit model A00AA5517 must be used (sold separately).

WARNING

The outdoor kitchen must be disconnected from the natural gas supply piping system during any pressure testing of the system in excess of ½ PSIG (3.5 kPa).

The outdoor kitchen must be isolated from the natural gas supply piping system by closing all individual shut-off valves during any pressure testing of the system equal to or less than ½ PSIG (3.5 kPa).

Never connect the grill to an unregulated gas supply.

4.Connecting the Natural Gas Supply Line:

Step 1: Correctly Sizing the Natural Gas Supply Line

In most cases, a pipe diameter of ½" to ¾" is sufficient to connect your outdoor kitchen to your home's natural gas supply system. The correct pipe size depends on the following:

1. the overall length of your home's natural gas supply pipe run
2. the connection point of your outdoor kitchen into your home's natural gas supply system with respect to placement of natural gas appliances in your home
3. the desired distance of the outdoor kitchen from your home's natural gas supply
4. the combined total BTU rate of all the natural gas appliances in your home.

A certified gas technician will be able to recommend the appropriate gas pipe size and length to connect your outdoor kitchen to your home gas supply. The BTU rate of the grill is 24,000 BTU/hr for model R50SB0417 and 32,000 BTU/hr for model R67SB0317.

Step 2: Placement of the Manual Shut-off Valve

It is recommended that a manual shut-off valve that is sized correctly for the gas supply pipe be installed outside the kitchen enclosure. This valve will allow safe access to shut off the natural gas supply to the outdoor kitchen in the event of an emergency. A convenient location for the safety valve is at the rear of the kitchen enclosure. This allows for easy access to connect the gas piping in the enclosure to the shut-off valve.

If a gas supply stub-up is used inside the kitchen enclosure, an external shut-off valve close to the grill is still recommended.

INSTALLATION CON'T.

4. Connecting the Natural Gas Supply Line (cont'd):

NOTE: A licensed plumber should be used to install the gas supply line to the grill.

The gas supply line from your home should be routed to the right rear corner of the grill inside the grill enclosure. It is recommended that hard piping be used to connect to the inlet of the natural gas appliance regulator. Constant movement of flexible gas lines could cause fatiguing of the flexible line and result in gas leakage. If hard piping is not used for the home supply line, any flexible gas lines must be supported within the enclosure to prevent constant movement and fatiguing.

Prior to installing the grill in the enclosure:

1. Turn the home gas source to the **OFF** position.
2. Remove the plastic protective cap from the $\frac{1}{2}$ " pipe fitting connection found at the bottom of the right rear corner of the grill (see Figure 5).



Figure 5
Side View

3. Apply pipe joint compound (not provided) to the $\frac{1}{2}$ " pipe fitting connection. The pipe joint compound used should be resistant to all gasses.
4. Connect the natural gas appliance regulator (provided) to the $\frac{1}{2}$ " pipe fitting connection taking care to connect the outlet side of the regulator to the pipe fitting connection (see Figure 6). The inlet and outlet sides of the regulator are noted by markings on the rear of the regulator body.

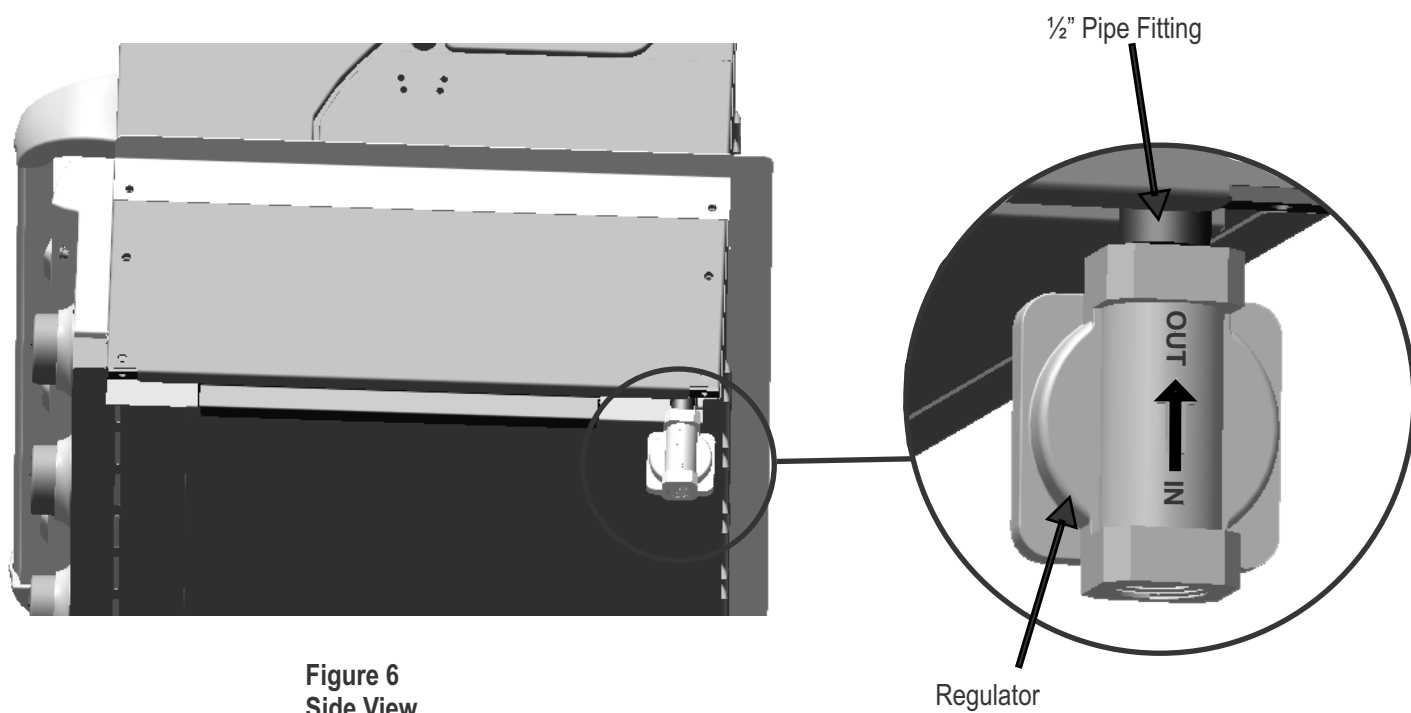


Figure 6
Side View

INSTALLATION CON'T.

4. Connecting the Natural Gas Supply Line (con't.):

During installation to the pipe, make certain that the regulator is rotated to align the rear of the regulator body with the right side wall of the grill (see Figure 7). This will ensure that there is no interference between the regulator and the grill mounting bracket used in the enclosure.

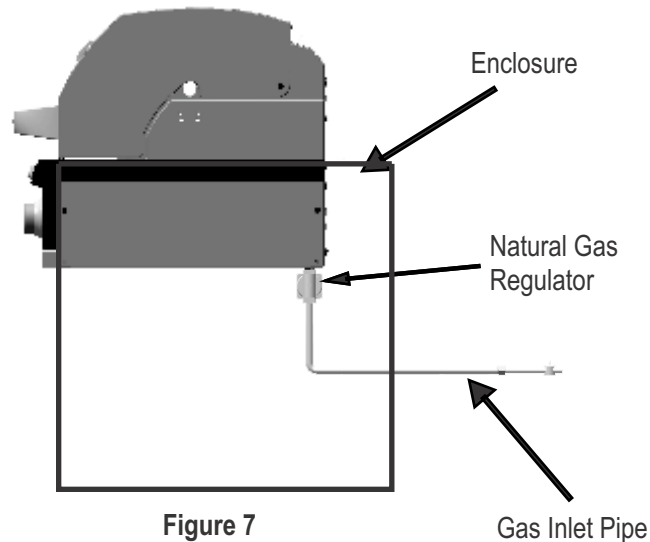


Figure 7
Side View

5. The grill is now ready to be installed in the enclosure. Take care not to damage the regulator during installation. Two persons are required to lift the grill and place in the enclosure.

After installing the grill in the enclosure:

1. Connect the home gas supply line to the inlet side of the natural gas appliance regulator by following the recommended connection methods noted above. Apply pipe joint compound (not provided) to the inlet piping prior to connecting to the regulator.
2. Confirm all grill control knobs are turned to **OFF**.
3. Turn **ON** the home gas source.
4. Proceed to step 5, Leak Testing.

NOTE: It is recommended that a manual shut-off valve be installed outside the grill enclosure (see Figure 8).

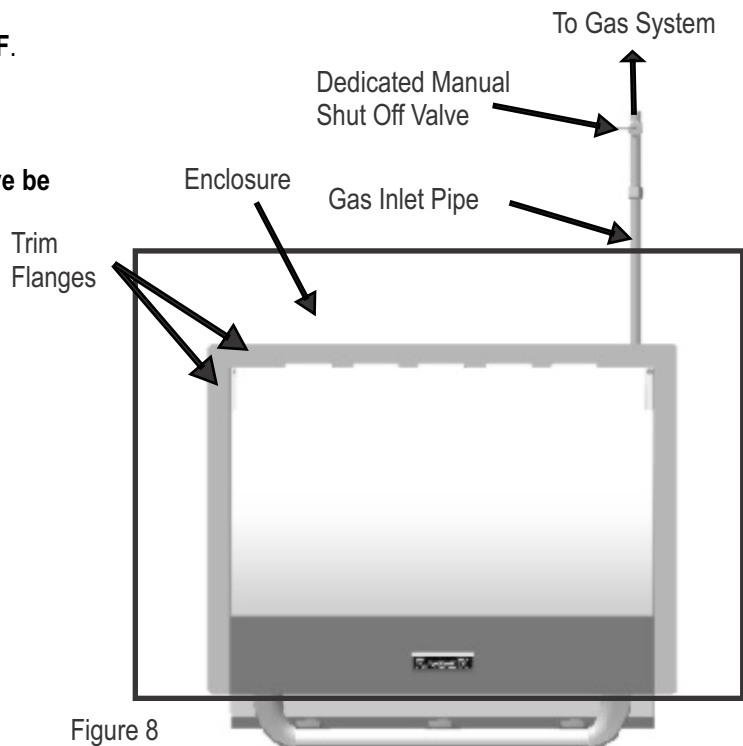


Figure 8
Top View

INSTALLATION CON'T.

5. Leak Testing:

1. Turn all grill control knobs to **OFF**.
2. Turn **ON** the home gas source.
3. Use a clean paint brush and a 50/50 mild soap and water solution. Brush soapy solution onto areas indicated. (see Figure 9).
4. If “growing” bubbles appear, there is a leak. Close main gas supply and re-tighten all connections. If leaks cannot be stopped do not try to repair. Contact licensed plumber for correction.
5. The appliance and its individual shut off valve must be disconnected from the gas supply piping system during any pressure testing on that system at test pressures in excess of ½ psig (3.5kPa).
6. The appliance must be isolated from the gas supply piping system by closing its individual manual shut off valve during any pressure testing of the gas supply piping system at test pressures equal to or less than ½ psig (3.5kPa).

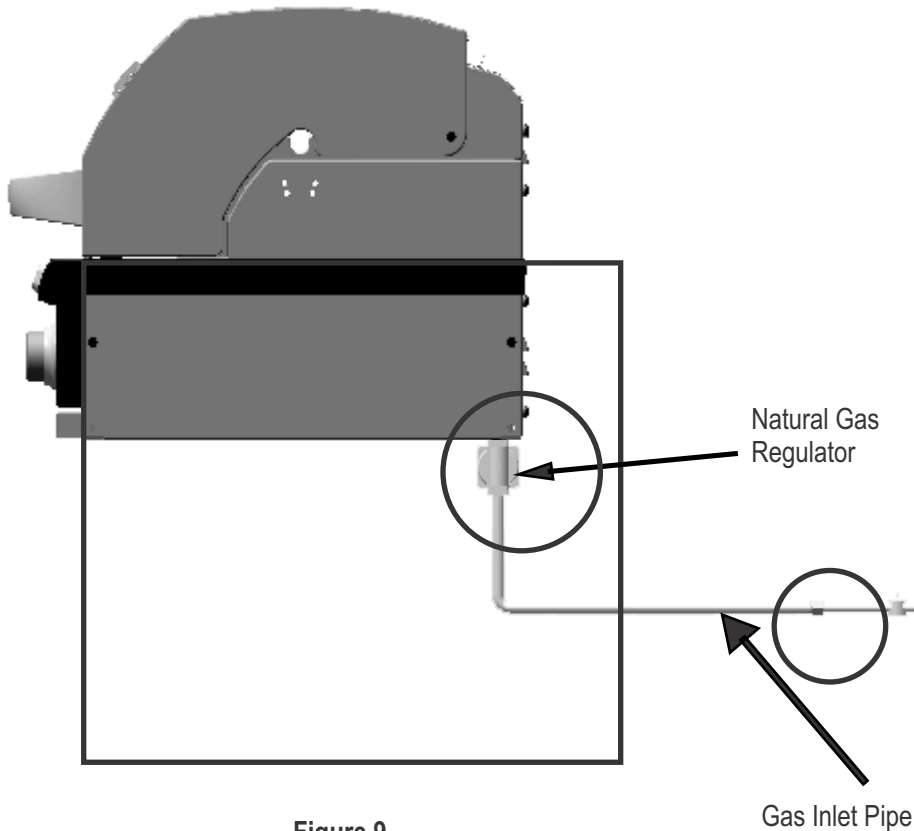


Figure 9
Side View

LIGHT OPERATION INSTRUCTIONS



WARNING



- Do not let the electrical supply cord hang over the edge of a table or touch any heated surface.
- Use the shortest length extension cord required.
- Do not connect 2 or more extension cords together.
- To protect against electrical shock, do not immerse cord or plugs in water or other liquid.
- Unplug from the outlet when not in use and before cleaning. Allow to cool before putting on or taking off parts.
- Do not operate grill with a damaged cord, plug or after the appliance malfunctions or has been damaged in any manner. Contact the manufacturer for repair.
- Do not use an outdoor cooking gas appliance for purposes other than intended.
- When connecting, first connect plug to the outdoor cooking gas appliance then plug appliance into the outlet.
- Never remove the grounding plug or use with an adapter of 2 prongs.
- Use only extension cords with a 3 prong grounding plug, rated for the power of the equipment, and approved for outdoor use with a W-A marking.



IMPORTANT



- Since 1971 the National Electrical Code (NEC) has required Ground Fault Interrupter devices on all outdoor circuits.
- If your residence was built before 1971, check with a qualified electrician to determine if a Ground Fault Interrupter (GFI) protector exists.
- Do not use this appliance if the circuit does not have GFI protection.
- Do not plug this appliance into an indoor circuit.

Light Operations

1. Make sure light switch on the control panel is in the “OFF” position. The button should be flat with the rim.



OFF POSITION

2. Connect the light plug to a GFI outlet. Reference Part 3, Electrical Transformer, in the installation instructions for recommended placement of the GFI outlet.
3. Turn the light switch to “ON” by pressing the button. Turn “OFF” by pressing the button again.



ON POSITION

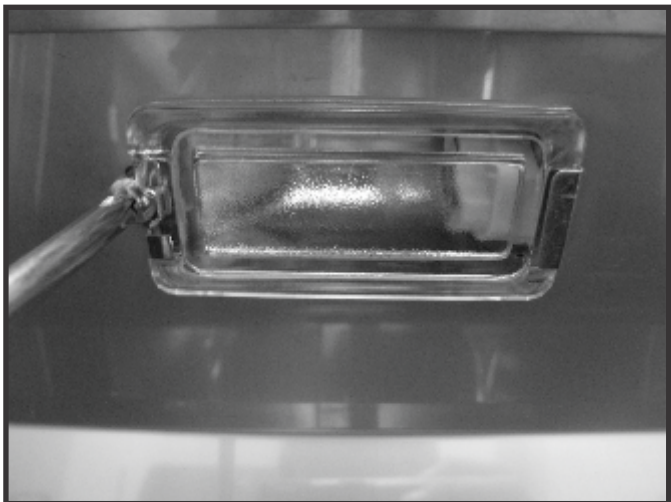
Bulb Replacement

Note: Make sure light switch on the control panel is in the “OFF” position and adapter plug is disconnected from outlet.

Standard Replacement Bulb Specification:

Bulb Type:	Halogen	Can be purchased at
Wattage:	10 W per bulb	a local hardware store
Voltage:	12 V	

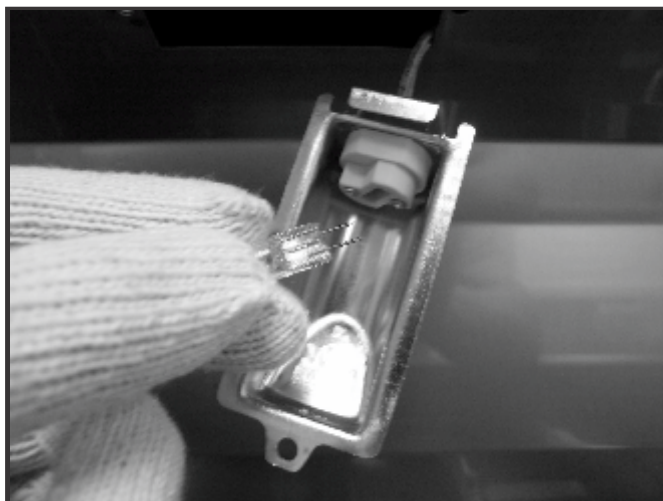
1. Release the screw securing the light socket.





2. Take out the socket and remove the lens.



3. Pull out bulb and replace with a new bulb.



	IMPORTANT	
<p>Take care not to touch the bulb with your bare fingers. Touching bulb with your skin can leave a film on the bulb that causes it to burn out quickly.</p>		

4. Reverse instructions from step 2 through step 1 to re-install socket.

Cleaning the Lens

1. Prior to cleaning, make sure the light switch is in the “OFF” position and the light plug is disconnected from the power supply.
2. Do not clean the glass lens when warm. Allow to cool before cleaning. Sudden change in temperature may cause cracking of the glass lens.
3. Use a damp towel to clean the surface of the glass lens.
4. Allow the lens to dry before reconnecting the light plug to the power supply and pressing the light switch to the “ON” position.

Item	Warranty Term
Stainless Steel Parts	
Lids & Lid inserts	Limited Lifetime
Firebox & Cart Panels	Limited Lifetime
Burner Tubes & Carryover Tubes	10 Years
Cooking Grates, Emitters, Warming Racks, Grease Tray, Burner Boxes, Side Burner Grate, Side Burner Pan	5 Years no rust through or burn through
Porcelain Enameled Parts	
Lid Insert	Limited Lifetime (excludes fading)
Interior Firebox	Limited Lifetime no rust through or burn through (excludes fading)
Warming Racks, Grates, Burner Boxes	5 Years no rust through or burn through (excludes fading)
Painted Parts	2 Years (excludes fading)
All Other Parts	2 Years

LIMITED LIFETIME WARRANTY:

Saber warrants the fabricated stainless steel components (lids, lid inserts, exterior fire box and cart panels), to be free from defects in material and workmanship under normal residential use for the lifetime of the product.

Saber's Limited Lifetime Warranty covers the structural integrity of the lids, lid inserts, exterior firebox and cart panels. Should structural deterioration occur to the degree of non performance, the part(s) will be replaced, free of charge to the consumer for installation. Costs associated with the installation of replacement warranty parts is not covered by this limited lifetime warranty and is the sole responsibility of the owner.

This warranty excludes discoloration, surface scratches, weather and atmospheric related staining, and minor surface rust and oxidation which are normal conditions and to be expected with any outdoor product.

TEN YEAR LIMITED WARRANTY: Saber warrants the stainless steel burner tubes and carryover tubes to be free from defects in materials and workmanship under normal residential use for a period of ten (10) years from the original date of purchase. The part will be replaced, free of charge.

FIVE YEAR LIMITED WARRANTY: Saber warrants the stainless steel cooking grates, emitters, warming racks, side burner grate, side burner pan, grease tray, burner boxes, and porcelain enameled warming racks, grates, and burner boxes to be free from defects in materials and workmanship under normal residential use for a period of five (5) years from the original date of purchase. The part will be replaced free of charge.

TWO YEAR FULL WARRANTY: Saber warrants all painted parts and any other parts not specifically mentioned above, to be free from defects in materials and workmanship under normal residential use for a period of two (2) years from the original date of purchase. Saber will replace the part which fails or is found to be defective during the warranty period, at no cost to the original purchaser.

Owner shall be responsible for proper installation, providing normal care and maintenance, and providing proof of purchase upon request.

Saber reserves the right, PRIOR to shipping warranty replacement parts, to require the part in question be returned for inspection and analysis. Requested parts should be returned to Saber, freight pre-paid by the consumer.

WARRANTY LIMITATIONS & EXCLUSIONS

This warranty excludes units purchased for use in all types of commercial and or community use locations such as restaurants, hotels, catering operations food service establishments, condominium/apartment complexes, rental properties, and to products with altered or removed serial numbers.

This warranty shall apply **ONLY** to the products purchased and located in the continental **United States** and **Canada**.

The warranty coverage begins on the original date of purchase and proof of date of purchase is required for warranty service. Please register your product and retain your original sales receipt.

In order to activate the warranty, we require that you send in the attached warranty registration card or register your product online.

This warranty applies only to the original grill owner and cannot/may not be transferred.

This warranty does not apply to damages resulting from negligence, alteration, misuse, abuse, accident, natural disaster, loss of electrical power to the product for any reason, improper installation or improper operation, unauthorized adjustments or calibrations, dings, dents, scratches, or damages due to harsh cleaning chemicals.

Saber shall not be liable for incidental, consequential, special or contingent damages resulting from its breach of this written warranty or any implied warranty.

In the event of any warranty replacement, all removal, replacement and installation are the responsibility of the grill owner.

Saber reserves the right to replace any defective product with a product equal in value to the original purchase price. Warranty repair or replacement is at the sole discretion of Saber.

Dealers and Distributors may not, under any circumstances, adjust, alter or extend the conditions and terms of the original warranty.

Your Saber warranty does not cover the following:

- Labor charges related to installation or set-up, diagnosis of a problem, or repairs.
- Normal recommended routine maintenance and care.
- Damage resulting from accident, alteration, misuse, abuse, hostile environments, improper installation, or installation not in accordance with local, state and federal codes and regulations.
- The use of unauthorized or “universal” parts.
- Damage or corrosion caused by lack of maintenance, neglect in following the manufacturer’s care and usage instructions, grease fires, animals and insects.
- Any damage resulting from the commercial and or community use of this product.
- Retail display models are generally sold “AS IS.” If you have purchased a display model, please be advised that it is sold “AS IS” and that it is subject to the following warranty exclusions:
 - Any exterior or cosmetic damage is non-warrantable
 - Any missing components will be replaced at the consumer’s sole expense.

DISCLAIMER OF IMPLIED WARRANTIES AND LIMITATION OF REMEDIES

CUSTOMER’S SOLE AND EXCLUSIVE REMEDY UNDER THIS LIMITED WARRANTY SHALL BE PRODUCT REPAIR OR REPLACEMENT AS PROVIDED HEREIN. IMPLIED WARRANTIES, INCLUDING WARRANTIES OF MERCHANTABILITY OR FITNESS FOR A PARTICULAR PURPOSE, ARE EXCLUDED OR LIMITED TO ONE YEAR OR THE SHORTEST PERIOD ALLOWED BY LAW. SABER SHALL NOT BE LIABLE FOR INCIDENTAL OR CONSEQUENTIAL DAMAGES. SOME STATES OR PROVINCES DO NOT ALLOW THE EXCLUSION OR LIMITATION OF INCIDENTAL OR CONSEQUENTIAL DAMAGES, OR LIMITATIONS ON THE DURATION OF IMPLIED WARRANTY OF MERCHANTABILITY OR FITNESS, SO THESE EXCLUSIONS OR LIMITATIONS MAY NOT APPLY TO YOU. THIS WARRANTY GIVES YOU SPECIFIC LEGAL RIGHTS, AND YOU MAY ALSO HAVE OTHER RIGHTS WHICH CAN VARY FROM STATE TO STATE OR PROVINCE TO PROVINCE.

How to Obtain Warranty Service or Repair Parts:

Prior to contacting your dealer or calling us directly, please make sure your grill is registered. You can register your grill at: <http://www.sabergills.com/registration>.

Call your authorized Saber dealer. A list of Saber dealers and their contact information can be found at <http://www.sabergills.com>.

Utilize our online customer service at <http://www.sabergills.com/warranty> service.

Call Saber directly at 1-(888)-94S-ABER (947-2237). We look forward to assisting you!

Or write us at:

Saber®
Warranty Service
P. O. Box 1977
Columbus, GA. 31902

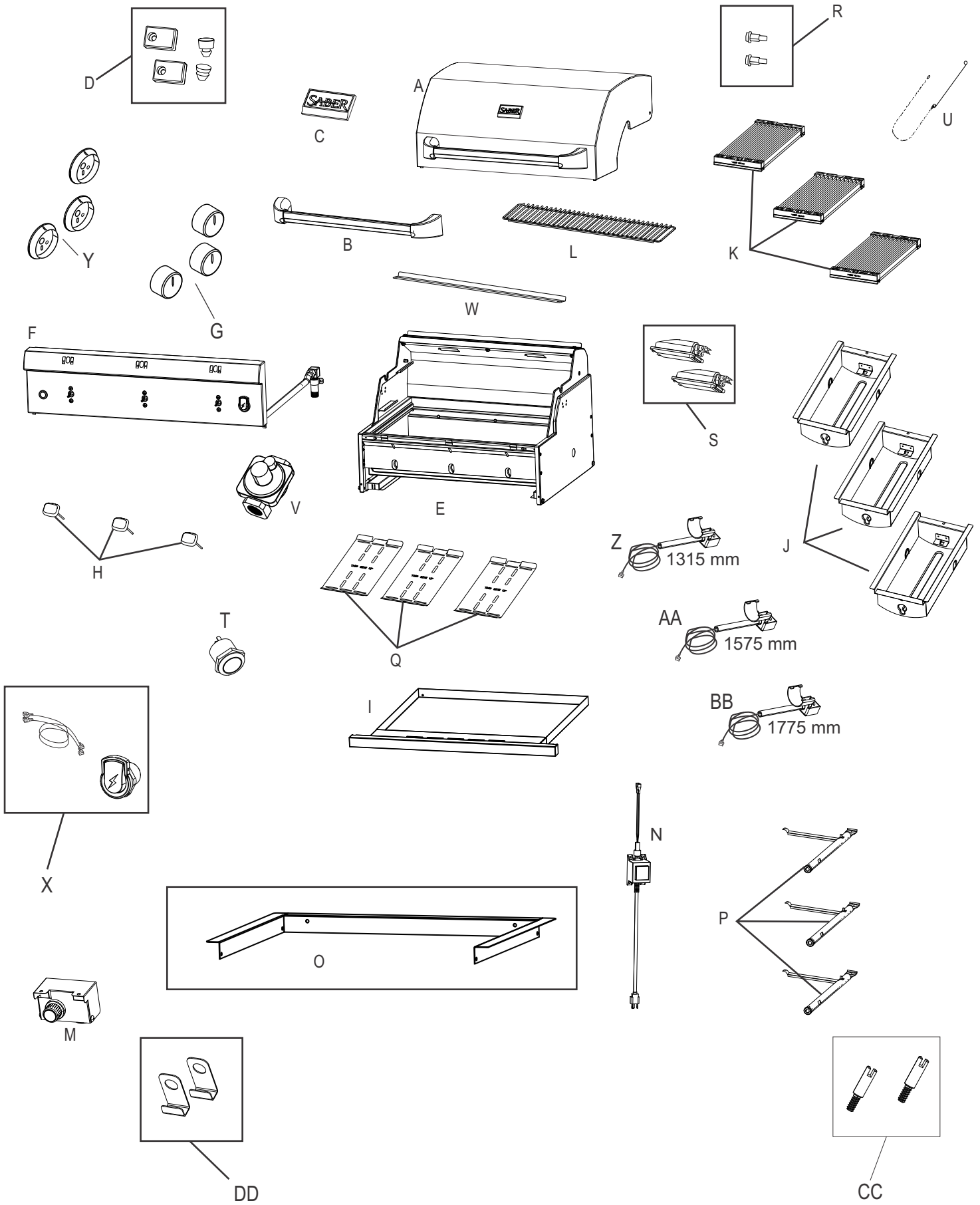
Please be prepared to furnish the following information: Purchaser's name, model and serial number of the grill, date of purchase and the accurate description of the problem.

Date of Purchase:	
Dealer Where You Purchased Your Grill:	
Dealer Phone Number:	
Model Number: <i>(located on the cover of your instruction manual or rating label)</i>	
Serial Number: <i>(located on the cover of your instruction manual or rating label)</i>	

R50SB0417 PARTS LIST

Key	Qty	Description
A	1	KIT , Lid Assembly
B	1	KIT , Lid Handle
C	1	KIT , Logo Plate
D	1	KIT , Lid Stop, Silicone, (SET of 4)
E	1	KIT , Firebox Assembly
F	1	KIT , Control Console, w/ Valve Assembly and Switches
G	3	Control Knob
H	3	Temperature Gauge, UFC, w/ Clip
I	1	Grease Tray Assembly
J	3	KIT , Burner Box
K	3	KIT , Cooking Grate with Emitter
L	1	Warming Rack
M	1	KIT , Ignition Module
N	1	KIT , Transformer for Halogen Grill Light
O	1	Trim Flanges (SET of 3)
P	3	KIT , Burner w/ Carryover
Q	3	KIT , Firebox Heat Shield
R	1	KIT , Lid Shoulder Bolt (SET of 2)
S	1	KIT , Light for Halogen Grill Light (SET of 2)
T	1	Switch for Halogen/LED Grill Lights
U	1	Match Holder w/ Chain
V	1	Natural Gas Appliance Regulator
W	1	KIT , Wind Deflector
X	1	KIT , Ignition Switch Module w/ Wires
Y	3	KIT , Bezel
Z	1	Electrode w/ Ignition Wire, 1315 mm
AA	1	Electrode w/ Ignition Wire, 1575 mm
BB	1	Electrode w/ Ignition Wire, 1775 mm
CC	2	Natural Gas Stop Pin (SET of 2)
DD	1	KIT , Rotisserie Rod Brackets (SET of 2)
NOT Pictured		
...	1	Hardware Pack
...	1	Grate Cleaning Tool
...	1	Product Guide, English/ Spanish/ French

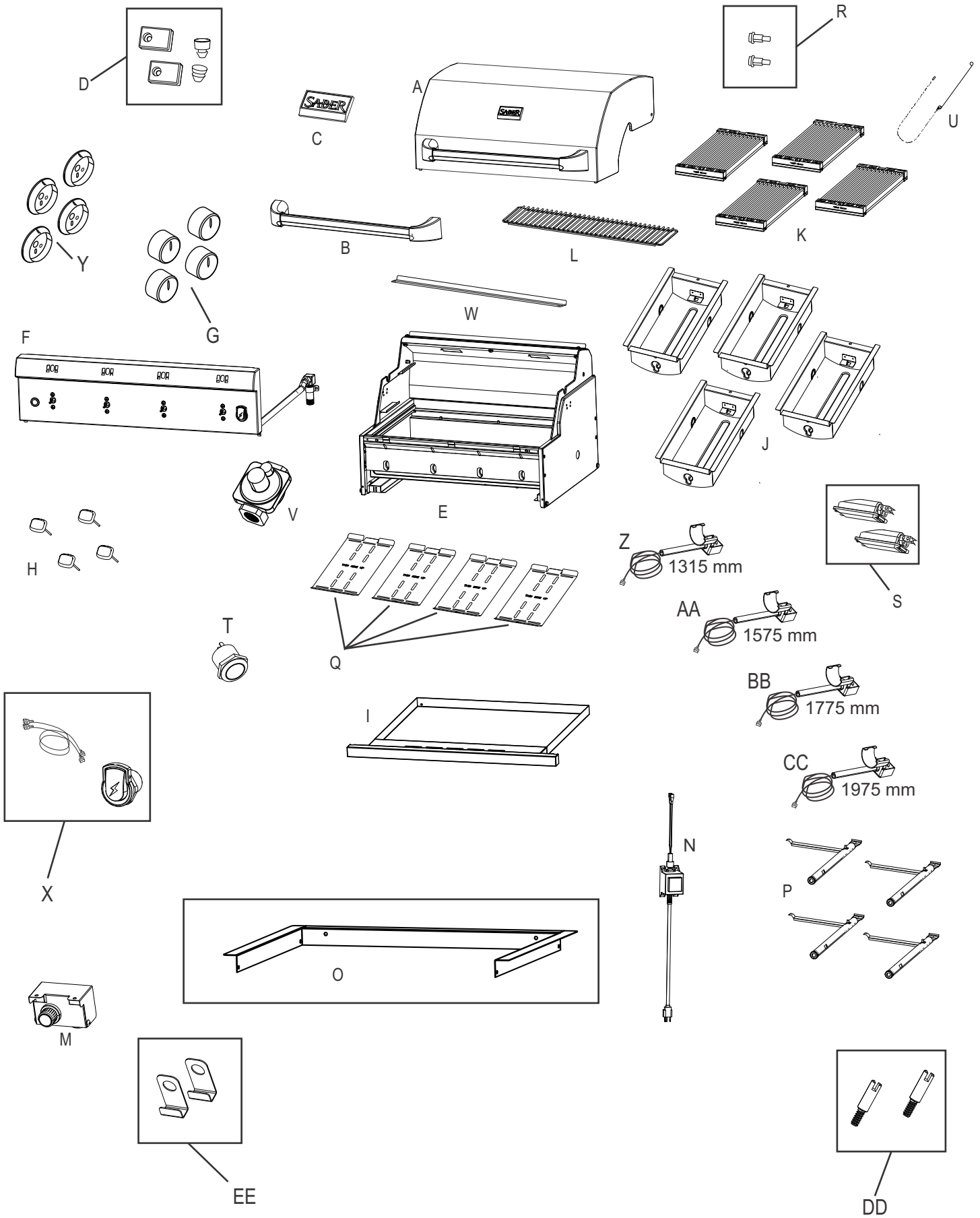
R50SB0417 PARTS DIAGRAM



R67SB0317 PARTS LIST

Key	Qty	Description
A	1	KIT , Lid Assembly
B	1	KIT , Lid Handle
C	1	KIT , Logo Plate
D	1	KIT , Lid Stop, Silicone, (SET of 4)
E	1	KIT , Firebox Assembly
F	1	KIT , Control Console, w/ Valve Assembly and Switches
G	4	Control Knob
H	4	Temperature Gauge, UFC, w/ Clip
I	1	Grease Tray Assembly
J	4	KIT , Burner Box
K	4	KIT , Cooking Grate with Emitter
L	1	Warming Rack
M	1	KIT , Ignition Module
N	1	KIT , Transformer for Halogen Grill Light
O	1	Trim Flanges (SET of 3)
P	4	KIT , Burner w/ Carryover
Q	4	KIT , Firebox Heat Shield
R	1	KIT , Lid Shoulder Bolt (SET of 2)
S	1	KIT , Light for Halogen Grill Light (SET of 2)
T	1	Switch for Halogen/LED Grill Lights
U	1	Match Holder w/ Chain
V	1	Natural Gas Appliance Regulator
W	1	KIT , Wind Deflector
X	1	KIT , Ignition Switch Module w/ Wires
Y	4	KIT , Bezel
Z	1	Electrode w/ Ignition Wire, 1315 mm
AA	1	Electrode w/ Ignition Wire, 1575 mm
BB	1	Electrode w/ Ignition Wire, 1775 mm
CC	1	Electrode w/ Ignition Wire, 1975 mm
DD	2	Natural Gas Stop Pin (SET of 2)
EE	1	KIT , Rotisserie Rod Brackets (SET of 2)
NOT Pictured		
...	1	Hardware Pack
...	1	Grate Cleaning Tool
...	1	Product Guide, English/ Spanish/ French

R67SB0317 PARTS DIAGRAM



EMERGENCIES: If a gas leak cannot be stopped, or a fire occurs due to gas leakage, call the fire department.

Emergencies	Possible Cause	Prevention/Solution
Gas leaking from cracked/cut/burned hose.	Damaged Hose or Gas Line	Turn OFF gas at supply. If anything is burned or damaged, replace the gas line, hose, or regulator. Discontinue use of product until a plumber has investigated cause and corrections are made.
Gas leaking from LP cylinder.	Mechanical failure due to rusting or mishandling.	Replace LP cylinder.
Gas leaking from LP cylinder valve.	Failure of cylinder valve from mishandling or mechanical failure.	Turn OFF LP cylinder valve. Return LP cylinder to gas supplier.
Gas leaking between LP cylinder and regulator connection.	Improper installation, connection not tight, failure of rubber seal.	Turn OFF LP cylinder valve. Remove regulator from cylinder and visually inspect rubber seal for damage. See LP Cylinder Leak Test and Connecting Regulator to the LP Cylinder.
Fire coming through control panel.	Fire in burner tube section of burner due to blockage.	Turn OFF control knobs and gas supply. Leave lid open to allow flames to die down. After fire is out and grill is cold, remove burners and inspect for spider nests or rust. See Natural Hazard and Cleaning the Burner Assembly pages.
Grease fire or continuous excessive flames above cooking surface.	Too much grease buildup in burner area.	Turn OFF control knobs and gas supply. Leave lid open to allow flames to die down. After cooling, clean food particles and excess grease from inside firebox area, grease tray and other surfaces.
Gas leaking at NG appliance regulator	Regulator not sealed on inlet gas pipe on grill.	Turn OFF gas supply. Disconnect inlet gas lines from regulator. Remove regulator from grill and re-seal to inlet pipe. Re-connect gas lines to regulator.

Troubleshooting

Problem	Possible Cause	Prevention/Solution
Burner(s) will not light using ignitor. See Electronic Ignition Troubleshooting also.) <i>Continued on next page.</i>	GAS ISSUES:	
	Trying to light wrong burner.	See instructions on lid and in Use and Care section.
	Burner not engaged with control valve.	Make sure valves are positioned inside of burner tubes.
	Obstruction in burner.	Ensure burner tubes are not obstructed with spider webs or other matter. See cleaning section of Use and Care.
	No gas flow.	Make sure LP cylinder is not empty or NG gas supply is on. If LP cylinder is not empty, refer to "Sudden drop in Gas Flow."
	Vapor lock at coupling nut to LP cylinder.	Turn OFF knobs and disconnect coupling nut from LP cylinder. Wait 30 seconds, reconnect and retry.
	Coupling nut and LP cylinder valve not fully connected.	Turn the coupling nut approximately one-half to three-quarters additional turn until solid stop. Tighten by hand only-do not use tools.
ELECTRICAL ISSUES:		
Electrode cracked or broken; "sparks at crack."	Replace electrode(s).	
Electrode tip not in proper position.	Tip of electrode should be pointing toward gas port opening on burner. The distance should be 1/8" to 1/4". Adjust if necessary.	
Wire and/or electrode covered with cooking residue.	Clean wire and/or electrode with rubbing alcohol and clean swab.	

Troubleshooting (continued)

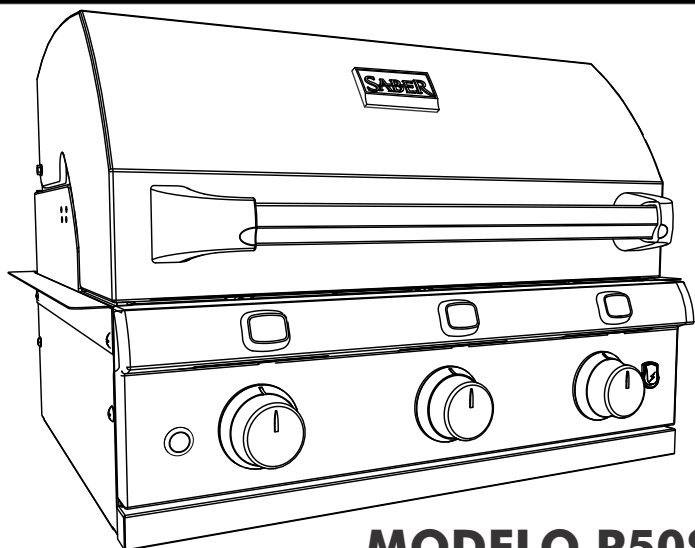
Problem	Possible Cause	Prevention/Solution
Burner(s) will not light using ignitor. (See Electronic Ignition Troubleshooting also). <i>Continued.</i>	<p>ELECTRICAL ISSUES CON'T.:</p> <p>Wires are loose or disconnected.</p> <p>Wires are shorting (sparking) between ignitor and electrode.</p> <p>Dead battery.</p> <p>ELECTRONIC IGNITION:</p> <p>No spark, no ignition noise.</p> <p>No spark, some ignition noise.</p> <p>Sparks, but not at electrode or at full strength.</p>	<p>Reconnect wires or replace electrode/wire assembly.</p> <p>Replace ignitor wire/electrode assembly.</p> <p>Replace with a new alkaline battery.</p> <p>See Section I of Electronic Ignition System.</p> <p>See Section II of Electronic Ignition System.</p> <p>See Section III of Electronic Ignition System.</p>
Burner(s) will not match light.	<p>See "GAS ISSUES:" on previous page.</p> <p>Match will not reach</p> <p>Improper method of match-lighting.</p>	<p>Use long-stem match (fireplace match)</p> <p>See "Match-Lighting" section of Use and Care.</p>
Sudden drop in gas flow or low flame.	<p>Out of LP gas.</p> <p>Excess flow valve tripped on LP regulator.</p> <p>Vapor lock at coupling nut/LP tank connection.</p> <p>Out of NG gas or NG gas line obstruction.</p> <p>NG regulator lock-up</p>	<p>Check for gas in LP tank.</p> <p>Turn off knobs, wait 30 seconds and light side burner. If flames are still low, turn off knobs and LP tank valve. Disconnect regulator. Reconnect regulator and leak-test. Turn on LP tank valve, wait 30 seconds and then light side burner.</p> <p>Turn off knobs and LP tank valve. Disconnect coupling nut from tank. Reconnect and retry.</p> <p>Check NG gas supply.</p> <p>Have plumber check NG gas supply pressure.</p>
Flames blow out.	<ul style="list-style-type: none"> •High or gusting winds •Low on LP gas. •Excess flow valve tripped. •Low NG source line pressure or excessive NG source line pressure causing NG regulator lock up. 	<ul style="list-style-type: none"> •Block gusting winds. •Refill LP tank. •Refer to "Sudden drop in gas flow" above. •Check NG gas supply. Check supply line run length and diameter. Source pressure > 5 in w.c. and < 1/2 psi.
Flare-up.	<p>Grease buildup.</p> <p>Excessive cooking temperature.</p>	<p>Clean burners and inside of grill firebox.</p> <p>Adjust (lower) temperature accordingly.</p>
Persistent grease fire	<p>Grease trapped by food buildup around burner system.</p>	<p>Turn knobs to OFF. Turn gas off at LP tank. Leave lid in open position and let fire burn out. After side burner cools, remove and clean parts.</p>
Flashback (fire in burner tube(s)).	<p>Burner and/or burner tubes are blocked.</p>	<p>Turn knobs to OFF. Clean burner and/or burner tubes. See burner cleaning section of Use and Care manual.</p>
One burner does not light from other burner(s).	<p>Burner and/or burner tubes are blocked..</p>	<p>Turn knobs to OFF. Clean burner and/or burner tubes. See burner cleaning section of Use and Care manual.</p>

Troubleshooting - Electronic Ignition

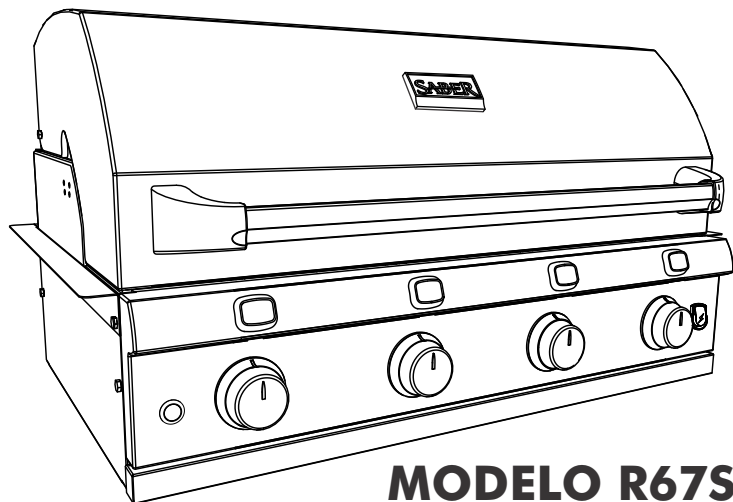
Problem (Ignition)	Possible Cause	Check Procedure	Prevention/Solution
<p>SECTION I</p> <p>No sparks appear at any electrodes when Electronic Ignition Button is pressed; no noise can be heard from spark module.</p>	<p>Battery not installed properly.</p> <p>Dead battery.</p> <p>Button assembly not installed properly.</p> <p>Faulty spark module.</p> <p>Switch wires disconnected.</p> <p>Loose extension wire connections.</p>	<p>Check battery orientation.</p> <p>Has battery been used previously?</p> <p>Check to ensure threads are properly engaged. Button should travel up and down without binding.</p> <p>If no sparks are generated with new battery and good wire connections, module is faulty.</p> <p>Check to ensure switch wires are connected.</p> <p>Are extension connections tight?</p>	<p>Install battery (make sure that "+" and "-" connectors are oriented correctly, with "+" end up and "-" end down.</p> <p>Replace battery with new alkaline battery.</p> <p>Remove battery cap and reinstall, making sure it can be fully engaged.</p> <p>Replace spark module.</p> <p>Reconnect switch wires.</p> <p>Remove and reconnect extension wire connections.</p>
<p>SECTION II</p> <p>No sparks appear at any electrodes when Electronic Ignition Button is pressed; noise can be heard from spark module.</p>	<p>Output lead connections not connected.</p> <p>Loose or exposed extension wire connections.</p>	<p>Are output connections on and tight?</p> <p>Are extension connections tight? Are extension connections insulated?</p>	<p>Remove and reconnect all output connections at module and electrodes.</p> <p>Remove and reconnect extension wire connections. Use electrical tape or shrink wrap to insulate extension wire connections. Confirm there are no cut or grounded wires.</p>
<p>SECTION III</p> <p>Sparks are present but not at all electrodes and/or not at full strength.</p>	<p>Output lead connections not connected.</p> <p>Arcing to grill away from burner(s).</p> <p>Weak battery.</p> <p>Electrodes are wet.</p> <p>Electrodes cracked or broken "sparks at crack".</p> <p>Loose or exposed extension wire connections.</p>	<p>Are output connections on and tight?</p> <p>If possible, observe grill in dark location. Operate ignition system and look for arcing between output wires and grill frame.</p> <p>All sparks present but weak or at slow rate.</p> <p>Has moisture accumulated on electrode and/or in burner ports?</p> <p>Inspect electrodes for cracks.</p> <p>Are extension connections tight? Are extension connections insulated?</p>	<p>Remove and reconnect all output connections at module and electrodes.</p> <p>If sparks are observed other than from burner(s), wire insulation may be damaged. Replace wires.</p> <p>Replace battery with a new alkaline battery.</p> <p>Use paper towel to remove moisture.</p> <p>Replace cracked or broken electrodes.</p> <p>Remove and reconnect extension wire connections. Use electrical tape or shrink wrap to insulate extension wire connections.</p>

SABER®

ARMADO DEL ASADOR Y GUÍA DEL PRODUCTO



MODELO R50SB0417



MODELO R67SB0317

IMPORTANTE: Llene la información de registro del producto a continuación.

Coloque la
etiqueta del número
de serie aquí

Número de serie

Fecha de compra

Si tiene preguntas o necesita ayuda durante el montaje, llame a

1-888-94-SABER

1-888-947-2237

VISITE SABERGRILLS.COM PARA OBTENER RECOMENDACIONES DE INICIO, RECETAS, SOPORTE Y REGISTRAR EL PRODUCTO



LA CONVERSIÓN A GAS LP DEBE SER REALIZADA POR UN TÉCNICO CERTIFICADO DE GAS:

- Se debe utilizar el kit de conversión LP modelo A00AA5517. Se vende por separado.
- Se requiere ventilación adecuada y adicional.
- Se debe incluir un soporte de sujeción para el cilindro LP en el recinto.
- Se debe proporcionar un fácil acceso al cilindro LP en la construcción del recinto.
- Consulte las instrucciones suministradas con el kit de conversión LP modelo A00AA5517 para obtener los requisitos de la construcción del recinto para sistemas remotos de gas LP.

ÍNDICE

Para su seguridad	2-3
Uso y cuidado	4-6
Planificación de la ubicación	7
Desembalaje	8
Armado del asador	9
Instalación	10-16
Operación eléctrica del asador	17-18
Garantía	19-21
Lista de piezas R50SB0417	22
Diagrama de piezas R50SB0417	23
Lista de piezas R67SB0317	24
Diagrama de piezas R67SB0317	25
Solución de problemas	26-28

Símbolos de seguridad

Los símbolos y cuadros a continuación explican el significado de cada encabezado. Lea y obedezca todos los mensajes que se encuentran en este manual.



ADVERTENCIA: Indica una situación potencialmente peligrosa que, si no se evita, podría causar muerte o lesiones graves.



PRECAUCIÓN: Indica una situación potencialmente peligrosa que, si no se evita, podría causar lesiones menores o moderadas.



PELIGRO: Indica una situación inminentemente peligrosa que, si no se evita, causará muerte o lesiones graves.



PELIGRO



Si percibe olor a gas:

1. Cierre el gas hacia el aparato.
2. Apague cualquier flama abierta.
3. Abra la tapa.
4. Si el olor continúa, manténgase alejado del aparato y llame de inmediato a su proveedor de gas o al departamento de bomberos.



ADVERTENCIA



1. No guarde gasolina u otros líquidos inflamables cerca de este o de otros aparatos.
2. Los tanques de gas LP que no estén conectados para usarse no deben mantenerse cerca de este ni de ningún otro aparato.



PRECAUCIÓN



Solamente para uso residencial. No debe usarse para cocina comercial.

ESTE ASADOR DEBE USARSE ÚNICAMENTE EN EXTERIORES.



PRECAUCIÓN:

Lea y obedezca todos los mensajes de seguridad, instrucciones de armado e instrucciones de uso y cuidado antes de armar y cocinar con el asador.

INSTALADOR O ARMADOR:

Deje este manual con el consumidor.

CONSUMIDOR:

Conserve este manual para consulta en el futuro.



ADVERTENCIA:

Si no sigue las instrucciones del fabricante, podría causar lesiones o daños materiales serios.



PRECAUCIÓN:

Algunas piezas pueden contener bordes cortantes, especialmente donde lo indica este manual. Use guantes de protección si es necesario.



ADVERTENCIA



PROPUESTA 65 DE CALIFORNIA

1. Los productos derivados de la combustión producidos con el uso de este aparato contienen químicos conocidos en el Estado de California como causantes de cáncer, defectos del nacimiento y otros daños reproductivos.
2. Este producto contiene químicos, incluyendo plomo y compuestos de plomo, conocidos en el Estado de California como causantes de cáncer, defectos del nacimiento u otros daños reproductivos.

Lávese las manos después de manipular este producto.

Precauciones de seguridad para la instalación

Use este asador, como lo compró, solamente con gas natural y la unidad de regulador y válvula incluida. Para usarse con gas LP (propano), se debe comprar un paquete de conversión.

La instalación del asador debe hacerse en conformidad con los códigos locales, ya sea el Código Nacional para Gas Combustible (National Fuel Gas Code), ANSI Z223.1 o NFPA 54, el Código de Instalación de Gas Natural y Propano (Natural Gas and Propane Installation Code) CSA B149.1 o el Código de Almacenamiento y Manejo de Propano (Propane Storage and Handling Code) B149.2.

Todos los accesorios eléctricos (tales como los rosticeros) deben estar conectados a tierra de acuerdo con los códigos locales, el Código Nacional de Electricidad (National Electrical Code), ANSI o NFPA 70, o el Código Eléctrico Canadiense (Canadian Electrical Code) CSA C22.1. Mantenga todos los cordones eléctricos y mangueras de suministro de combustible lejos de cualquier superficie caliente.

Este asador tiene certificación de seguridad para usarse en los Estados Unidos y Canadá solamente. No lo modifique para usarlo en otros lugares. La modificación causará un riesgo de seguridad.

Se debe usar la unidad del regulador de presión y la manguera incluidos, y los reemplazos deben ser los que especifique el fabricante del aparato.



ADVERTENCIA



No intente reparar o alterar el regulador de gas natural debido a cualquier defecto "supuesto". Cualquier modificación a esta unidad anulará la garantía y creará un riesgo de fuga de gas e incendio. Use solamente pizas de reemplazo provistas por el fabricante.

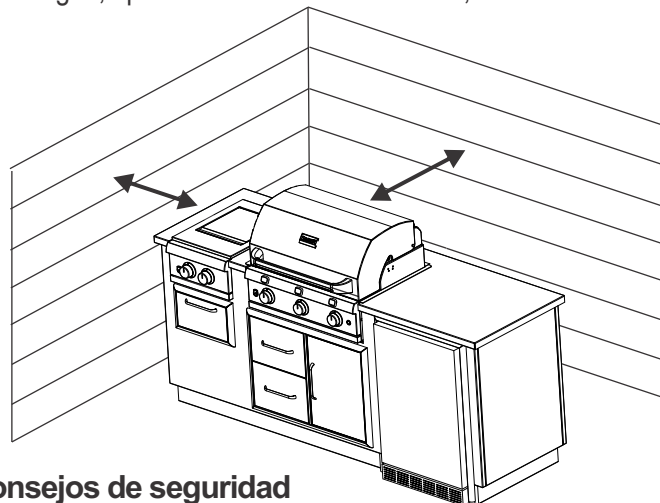


ADVERTENCIA



Para usar el asador en forma segura y evitar lesiones graves:

- No permita a los niños usar o jugar cerca del asador.
- Mantenga el área del asador libre y sin materiales inflamables.
- No obstruya los orificios de ventilación de los lados o de la parte posterior del asador.
- Revise las flamas del quemador regularmente.
- Use el asador solamente en un lugar bien ventilado. NUNCA lo use en un espacio cerrado tal como un cobertizo para coches, cochera o patio techado, ni debajo de ninguna construcción de ningún tipo.
- No use briquetas de carbón o de cerámica en un asador de gas.
- **Use el asador por lo menos a un metro de distancia de cualquier pared o superficie.** Deje un espacio libre de tres metros de los objetos que pueden incendiarse o de fuentes de ignición tales como pilotos de calentadores de agua, aparatos eléctricos conectados, etc.



Consejos de seguridad

- Cuando no use el asador, cierre todas las perillas de control y la válvula del gas.
- Use utensilios de cocina de mango largo y guantes para horno para evitar quemaduras y salpicaduras.
- La charola para grasa debe insertarse en el asador durante el uso y vaciarse después de cada uso. No retire la charola para grasa hasta que el asador esté completamente frío.
- Limpie el asador con frecuencia, de preferencia cada vez después de cocinar. Si utiliza un cepillo de cerdas para limpiar cualquiera de las superficies de cocinar del asador, asegúrese de no dejar cerdas en dichas superficies antes de asar. No se recomienda limpiar las superficies de cocinar cuando el asador está caliente.
- Si observa grasa u otro material caliente que gotea del asador hacia la válvula, línea de gas o regulador, cierre el gas de inmediato. Encuentre la causa, corríjala y luego limpie e inspeccione la válvula, la línea del gas y el regulador antes de continuar. Realice una prueba para detectar fugas.
- El regulador de gas natural puede producir un zumbido o silbido cuando está funcionando. Esto no afecta la seguridad o uso del asador.
- Si tiene algún problema con el asador, consulte la sección de solución de problemas.

USO Y CUIDADO



PELIGRO



No introduzca ninguna herramienta u objeto extraño en la salida de la válvula. Esto podría dañar la válvula y causar fugas. Las fugas de gas pueden causar explosión, incendio, lesiones graves o muerte.



ADVERTENCIA



- Los aparatos de gas para exteriores no deben instalarse en barcos o botes.
- Los aparatos de gas para exteriores no deben instalarse en vehículos recreativos (RV).
- Nunca intente conectar este asador con el sistema de gas independiente de un remolque o casa móvil.
- No use este asador hasta que se haya comprobado que no tiene fugas.
- Si se detecta alguna fuga en cualquier momento, DETENGA lo que esté haciendo y llame al departamento de bomberos.
- Si no puede detener una fuga de gas, cierre de inmediato la válvula del gas y llame a su proveedor de gas o al departamento de bomberos.





PRECAUCIÓN

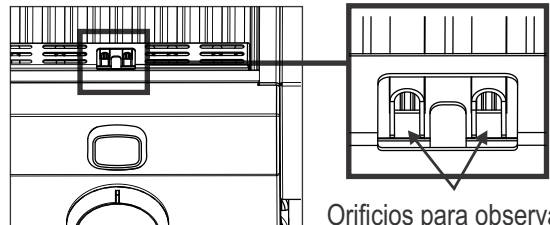



- No es posible apagar el fuego causado por la grasa al cerrar la tapa. Los asadores están bien ventilados por razones de seguridad.
- No use agua para tratar de apagar el fuego causado por la grasa. Esto podría resultar en lesiones personales. Si se presenta fuego debido a la grasa, apague las perillas y cierre la válvula del gas.
- No deje el asador solo mientras calienta o quema residuos de comida en la posición HI. Si el asador no se ha limpiado regularmente, podría ocurrir fuego debido a la grasa que podría dañar el producto.

Encendido del quemador principal

NO se apoye en el asador mientras lo enciende.

1. **Apague** todas las perillas de control .
2. **ABRA** el gas en el tanque de gas LP.
3. **Abra la tapa durante el encendido.**
4. Para encender, presione y gire la perilla de control a la posición .
5. Presione y mantenga así el botón “**ELECTRONIC IGNITION**” (**Encendido electrónico**) hasta que el quemador se encienda (use



6. Si **NO** se enciende en cinco segundos, gire la perilla de control a la posición , espere cinco minutos y repita el procedimiento de encendido.
7. Encienda los quemadores restantes repitiendo los pasos 4 a 6 para cada quemador.
8. Una vez que el quemador se encienda, gire las perillas de control hasta el punto que desee.



ADVERTENCIA



Apague los controles y cierre el suministro de gas cuando no lo use.



PRECAUCIÓN

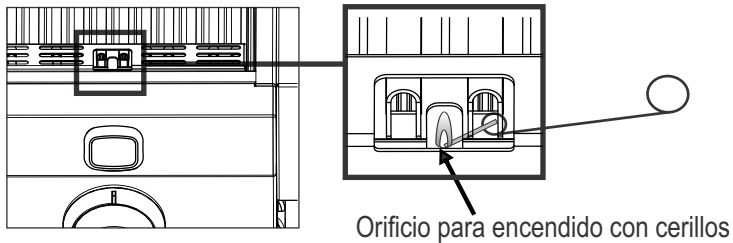


Si **NO** se enciende en cinco segundos, gire la perilla de control a la posición “**OFF**” (**APAGADO**), espere cinco minutos y repita el procedimiento de encendido. Si el quemador no enciende con la válvula abierta, el gas continuará llegando hasta el quemador y podría incendiarse accidentalmente y posiblemente causar lesiones.

Encendido del quemador principal con cerillos

NO se apoye en el asador mientras lo enciende.

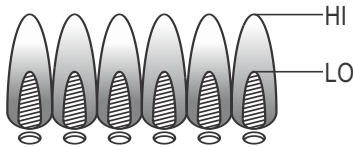
1. **Cierre** todas las perillas de control
2. **Abra** el tanque de gas LP.
3. **Abra la tapa durante el encendido.**
4. Coloque el cerillo en el portacerillos (que cuelga por el lado izquierdo del carrito). Encienda el cerillo y colóquelo en el orificio de encendido en el lado izquierdo del fogón.
5. Presione y gire la perilla de control del extremo izquierdo a la posición . Una vez que se encienda el quemador (verifique a través de los orificios para ver la flama), gire la perilla de control a la posición que desee.
6. Si **NO** se enciende en cinco segundos, gire la perilla de control a la posición , espere cinco minutos y repita el procedimiento de encendido.
7. Encienda los quemadores adyacentes en secuencia presionando la perilla de control y girándola a la posición .



Orificio para encendido con cerillos

Verificación de la flama del quemador

Retire los emisores y las parrillas de cocción. Encienda los quemadores y gire las perillas de control de HI a LO. Deberá ver una flama más pequeña en la posición LO que en la posición HI. Revise la flama siempre antes de cada uso. Si solamente ve una flama baja, consulte "Caída repentina o flama baja" en la sección de solución de problemas.



Apagado del asador

- Gire todas las perillas de control a la posición de apagado (OFF). Gire el suministro de gas a la posición de OFF (apagado).

Revisión del encendedor

- Cierre el suministro de gas. Mantenga pulsado el botón de encendido electrónico. "Click" deben ser escuchadas y ver chispas cada vez, entre la caja de recolección o el quemador y el electrodo. Consulte "Solución de problemas" si no clic o chispa.

Revisión de las válvulas

- **Importante:** Asegúrese de que el suministro de gas esté cerrado antes de revisar las válvulas. Las perillas de control se bloquean en la posición de apagado OFF. Para revisar las válvulas, primero presione las perillas de control y luego suéltelas. Estas deberán volver a saltar. Si no vuelven a saltar, reemplace el conjunto de la válvula antes de usar el asador. Gire las perillas de control a la posición LO y luego regréselas a la posición OFF. Las válvulas deben girar sin ningún problema.

Revisión de la manguera

- Antes de cada uso, revise si las mangueras flexibles de acero inoxidable no están cortadas o desgastadas. Reemplace las mangueras que estén dañadas antes de usar el asador. Use solamente la manguera y regulador de gas natural especificados por el fabricante.

Guía rápida de consejos

Pre calentamiento para diferentes tipos de parrillada:

- **Abrasar:** Pre calentamiento con todos los quemadores puestos en **HI** para obtener las máximas temperaturas de la parrilla de asado.
- **Asado:** Pre calentamiento con todos los quemadores puestos en **LO** para tener una temperatura más baja de inicio para asar carnes más lentamente.
- **Asado indirecto:** Pre calentamiento solamente un quemador en el lado opuesto de donde se colocará la comida para permitir el asado más lento y más bajo para cortes grandes de carne.
- **Rostizado:** Coloque la parrilla de calentamiento en los soportes inferiores y use el quemador o quemadores directamente debajo de la carne en **LO** o indirectamente para asado a temperatura más baja. Esto permitirá que circule más calor alrededor de la carne durante el asado.

Cómo bajar la temperatura de la parrilla de asar:

- **Perilla de control:** Gire la perilla de control a la posición **LO** para obtener el ajuste de temperatura más bajo.
- **Perilla de control:** Para obtener las temperaturas más bajas de la parrilla de cocción, la carne puede asarse indirectamente con el quemador debajo de la carne en la posición OFF y un solo quemador lejos de la carne en la posición **LO**.
- Durante el asado, la parrilla puede enfriarse más rápido al levantar la tapa mientras se ajustan las perillas de control a una posición más baja.

Cómo agregar un sabor ahumado durante el asado:

- No use troncos de madera en una parrilla para asar marca Saber.
- Las astillas de madera pueden usarse colocándolas entre las barras de la parrilla de asar. Si se empapan las astillas de madera durante por lo menos 15 minutos antes de usarlas, se prolongará el tiempo de ahumado.
- Se puede usar una caja para ahumar (se vende por separado) que se llena con astillas de madera y se coloca directamente en la parrilla de asar con el quemador en la posición **HI** o **LO**.

Limpeza general de la parrilla

No confunda la acumulación marrón o negra de grasa con la pintura. Aplique una solución fuerte de detergente y agua, o use un limpiador de asadores con un cepillo para fregar en la parte interna de la tapa del asador y en la parte inferior. Enjuague y deje secar completamente en el aire.

No use limpiadores cáusticos para asadores o estufas en las superficies pintadas.

- **Piezas de plástico:** Lávelas con agua jabonosa tibia y séquelas. No utilice Citrisol, limpiadores abrasivos, desengrasantes ni limpiador concentrado para asadores en las piezas de plástico. Esto puede provocar daños a las piezas y hacer que se rompan.
- **Superficies de porcelana:** Debido a su composición parecida al vidrio, la mayoría de los residuos se pueden limpiar con una solución de bicarbonato de sodio y agua o con un limpiador formulado especialmente. Utilice limpiador en polvo no abrasivo para las manchas tercas.
- **Superficies pintadas:** Lávelas con detergente suave o con limpiador no abrasivo y agua jabonosa tibia. Séquelas con un paño suave y no abrasivo.

Limpeza general del asador (continuación)

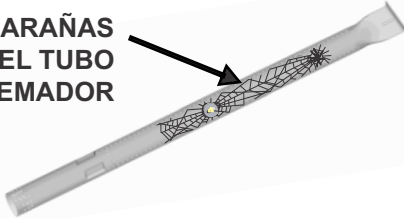
- **Superficies de acero inoxidable:** Para mantener la apariencia de alta calidad del asador, lávelo con detergente suave y agua jabonosa tibia, y séquelo con una tela suave después de cada uso. Los depósitos de grasa adherida pueden requerir el uso de una esponja limpiadora de plástico abrasiva. Utilícela sólo en la dirección del acabado cepillado para evitar daños. No use la esponja abrasiva en las áreas con gráficos.

Superficies para cocinar: Si utiliza un cepillo de cerdas para limpiar cualquiera de las superficies de cocinar del asador, asegúrese de no dejar cerdas en dichas superficies antes de asar. No se recomienda limpiar las superficies de cocinar cuando el asador está caliente.

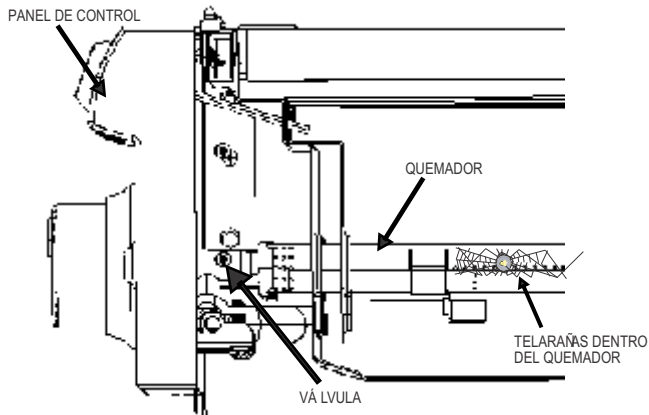


¡CUIDADO CON LAS ARAÑAS!

ARAÑAS Y TELARAÑAS DENTRO DEL TUBO DEL QUEMADOR



Si observa que es difícil encender el asador o que la flama no es tan fuerte como debería ser, revise y limpie los quemadores.



Se sabe que en algunas regiones las arañas o insectos pequeños causan problemas de retorno de la flama. Las arañas tejen telarañas, construyen nidos y ponen huevecillos en los tubos de los quemadores del asador, obstruyendo el flujo de gas del quemador. El gas que retrocede puede incendiarse en el quemador detrás s del panel de control. Esto se conoce como retorno de la flama y puede dañar el asador e incluso causar lesiones.

Para prevenir el retorno de la flama y asegurar el funcionamiento correcto, se debe retirar el conjunto del quemador del asador y limpiarse antes de usarse siempre que el asador haya estado sin usarse durante un tiempo prolongado.

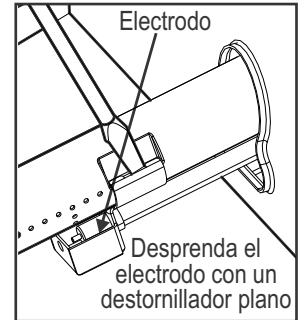
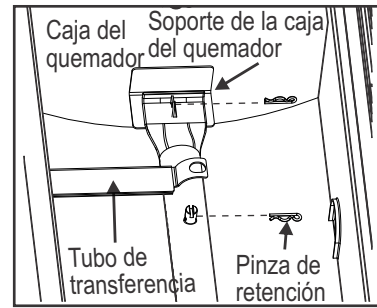
Cómo guardar su asador


- Limpie las parrillas.
- Cubra el asador cuando lo almacene en el exterior. Seleccione una protección que recomiende el fabricante.
- Cuando retire el asador de almacenamiento, siga las instrucciones de "limpieza del conjunto del quemador" antes de encender el asador.

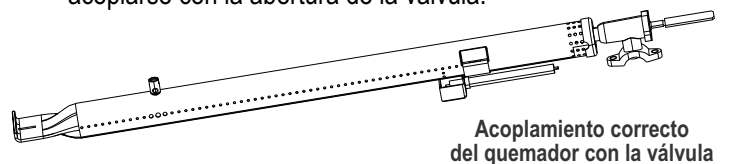
Limpeza del conjunto del quemador

Siga estas instrucciones para limpiar o reemplazar piezas del conjunto del quemador o si tiene problemas para encender el asador.

1. **Cierre el gas en las perillas de control y en el suministro de gas.**
2. Retire las parrillas y emisores de cocción.
3. Retire las pinzas de retención y tubos de transferencia de la parte posterior de los quemadores.
4. Use un destornillador plano para desprender el electrodo de cada quemador. El electrodo debe permanecer en la caja del quemador
5. Levante con cuidado cada quemador y aléjelo de las aberturas de la válvula.



6. Sugerimos tres formas de limpiar los tubos del quemador. Utilice la que sea más fácil para usted.
 - (A) Doble un alambre rígido para hacer un gancho pequeño (una percha de ropa ligera funciona bien). Pase el gancho varias veces a través del tubo del quemador
 - (B) Use un cepillo estrecho para botellas con un mango flexible (no use un cepillo de latón); pase el cepillo a través de cada tubo de quemador varias veces.
 - (C) Use protección para los ojos: Use una manguera de aire para forzar el aire hacia dentro del tubo del quemador y hacia fuera de los orificios del quemador. Revise cada orificio para asegurarse de que el aire salga por cada uno de ellos.
7. Cepille toda la superficie externa del quemador para eliminar los residuos de comida y suciedad.
8. Limpie los orificios que estén obstruidos con un alambre rígido, por ejemplo con un clip para papel extendido.
9. Revise si hay daño en el quemador; algunos orificios podrían haberse hecho más grandes debido al desgaste normal y a la corrosión. Si hay grietas u orificios grandes, reemplace el quemador.
10. Vuelva a colocar el electrodo en el quemador.
11. Vuelva a colocar los quemadores con cuidado. **NOTA IMPORTANTE:** Los tubos de los quemadores deben acoplarse con la abertura de la válvula.



12. Vuelva a fijar los quemadores en los soportes dentro de la caja de los quemadores.
13. Coloque los tubos de transferencia y conéctelos a los quemadores.
14. Coloque los emisores y parrillas para cocinar.

PLANIFICACIÓN AIQUILER

Lo siguiente debe tomarse en cuenta al determinar dónde colocar su nueva cocina al aire libre EZ. Es mejor identificar la ubicación de la cocina antes de comenzar con cualquier armado inicial. La cocina debe ser instalada y estar nivelada en su ubicación final.

Planifique un fácil acceso a la casa teniendo en cuenta condiciones atmosféricas como lluvia o nieve frecuente, lo que haría que fuese más conveniente tener la cocina cerca de una entrada.

Asegúrese de dejar espacio para el entretenimiento alrededor de los lados de la cocina ya que esta se convertirá en un área de reuniones durante eventos al aire libre. La ventilación es la clave para el funcionamiento de la cocina y el extractor de humo debe ser tomado en cuenta al identificar una ubicación.

La parrilla producirá humo así que tome en cuenta la dirección del viento predominante y coloque la parrilla de modo que el viento sopla hacia la parte delantera de la parrilla para alejar el humo y proporcionar una ventilación adecuada.

No coloque la parrilla en o cerca de ventanas que podrían estar abiertas hacia su casa ya que el humo entrará fácilmente.

Requerimientos de instalación

Cómo asegurar la circulación correcta del aire de combustión y de enfriamiento

Se DEBE mantener un flujo de aire correcto para que el asador funcione como fue diseñado. Si el flujo de aire se obstruye, esto causará sobrecalentamiento y combustión deficiente.



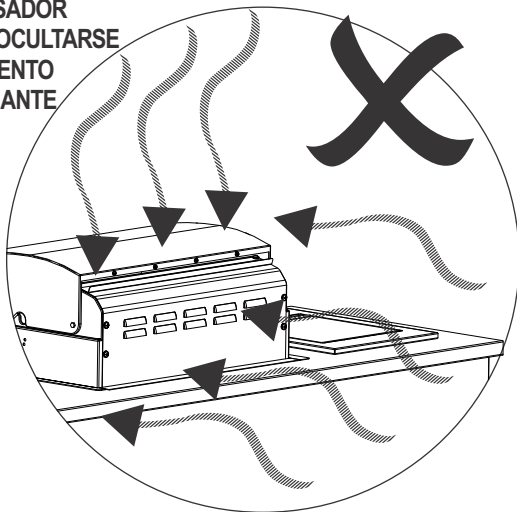
El viento que sopla hacia dentro o a través de la ventilación posterior de la tapa del asador puede causar mal funcionamiento o sobrecalentamiento peligroso.

La instalación de la parrilla delante de una pared o bajo cualquier voladizo puede dirigir el viento hacia abajo en la rejilla de ventilación tapa de la parrilla trasera creando el mismo estado y que además viola las advertencias de seguridad para la colocación de la parrilla (ver página 3) .

Orienta el asador de manera que el viento dominante sopla por el frente.

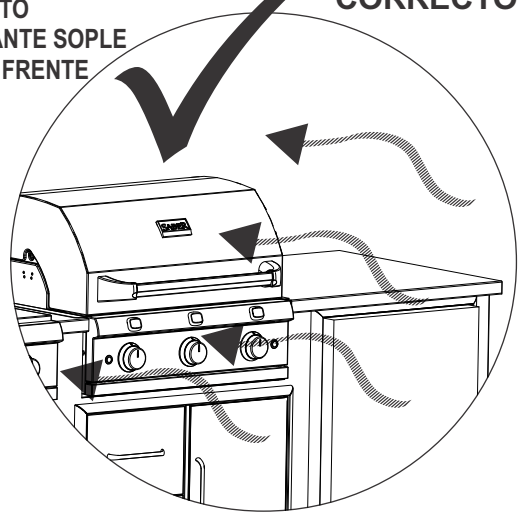
LA VENTILACIÓN
POSTERIOR
DEL ASADOR
DEBE OCULTARSE
DEL VIENTO
DOMINANTE

INCORRECTO

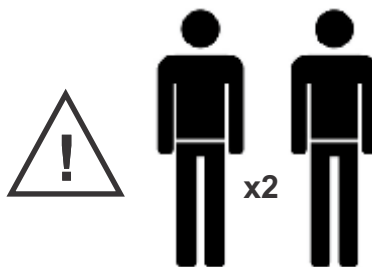


COLOQUE EL ASADOR
DE MANERA QUE
EL VIENTO
DOMINANTE SOPLE
POR EL FRENTE

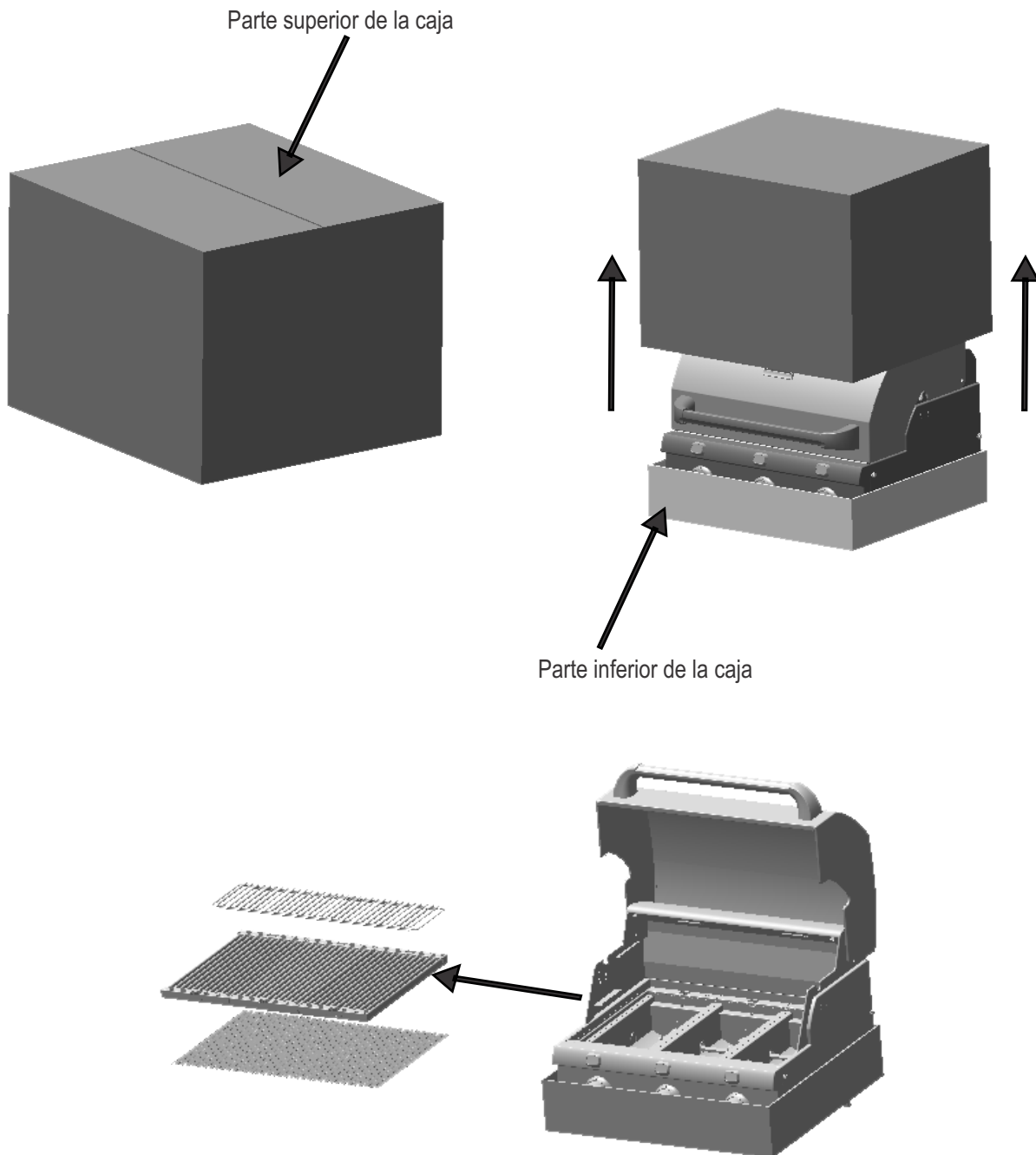
CORRECTO



DESEMBALAJE

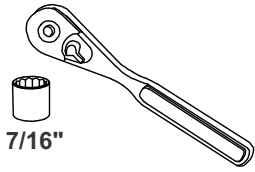


1. Coloque la caja del asador sobre una superficie nivelada y limpia.
2. Separe la parte de la caja superior de la parte inferior.
3. Abra la tapa del asador y retire la rejilla de calentamiento, las parrillas para cocinar, los rebordes de acabado y todas las cajas del interior del asador.



ARMADO DEL ASADOR

Herramientas sugeridas

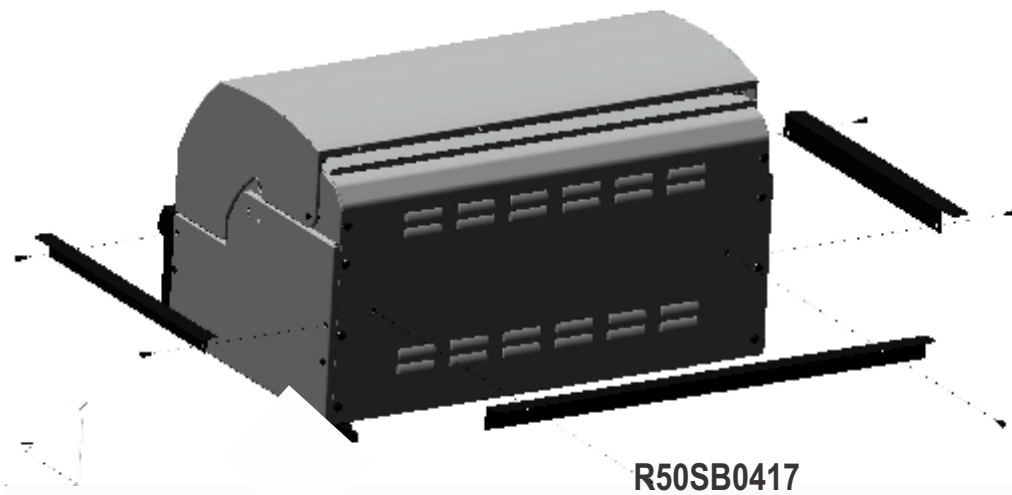


Accesorios requeridos



1/4-20 x 5/8" Hex Bolt - 7
1/4-20 x 5/8" Perno Hexagonal - 7
1/4-20 x 5/8" Boulon Hexagonal - 7

1. Use pernos hexagonales de 1/4-20 x 5/8", para asegurar los tres (3) recortar las pestañas en la parrilla. Apriete bien.





ADVERTENCIA



PARA CONVERSIÓN DE GAS LP:

- LA CONVERSIÓN A GAS LP DEBE SER REALIZADA POR UN TÉCNICO CERTIFICADO DE GAS
- Se debe usar el paquete de conversión para gas LP A00AA5517. Los detalles específicos para la fabricación del gabinete se incluyen en las instrucciones del paquete de conversión.
- Se requiere integrar ventilación adicional al gabinete.
- Se debe agregar un soporte de montaje para el tanque al gabinete.

INSTALACIÓN

Materiales incluidos: Unidad de asador integrada

Materiales no incluidos: Materiales de fabricación del gabinete, brazos de soporte para la unidad integrada y sujetadores para la fijación de los brazos de soporte.

NOTA: EL GABINETE DEBE FABRICARSE DE MATERIALES NO COMBUSTIBLES.

1. Fabricación del gabinete:

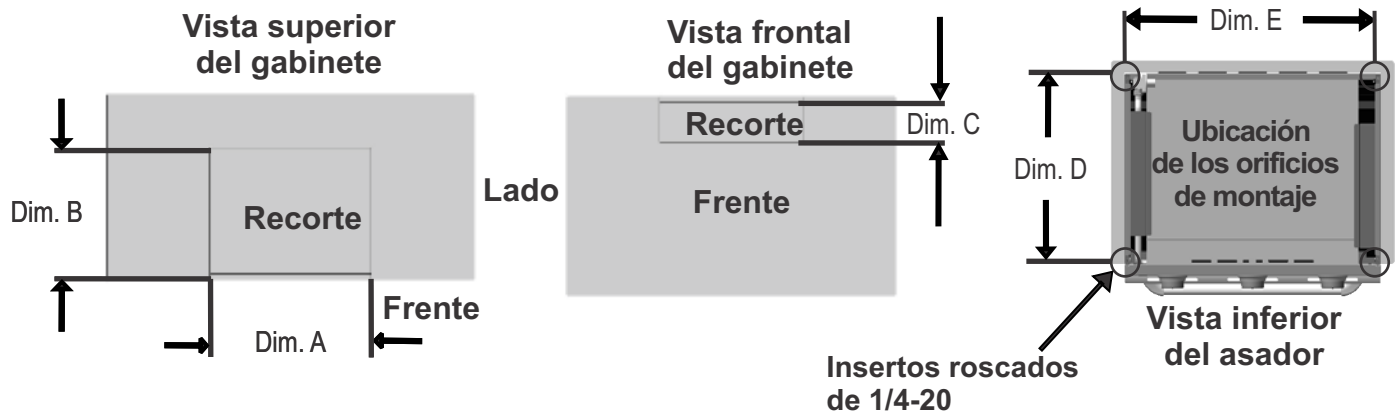
NOTA: Si el asador va a usarse como asador de reemplazo en un gabinete de asador ya existente, consulte a su contratista local para determinar si el asador funcionará correctamente con su gabinete actual.

Consulte la tabla siguiente para las dimensiones de los recortes del gabinete.

En la parte inferior del asador se encuentran cuatro insertos roscados de 1/4-20 para fijar el asador en el gabinete (consulte la ubicación de los orificios de montaje). Se recomienda usar solamente sujetadores de acero inoxidable 304 de 1/4-20 para fijar el asador en el gabinete.

NOTE: El área inmediatamente debajo del asador debe estar abierta. No debe ser una superficie sólida.

MODELO DE ASADOR	Dim. A	Dim. B	Dim. C	Dim. D	Dim. E
R50SB0417	28.25" (71.76 cm)	22.00" (55.88 cm)	9.00" (22.86 cm)	20.25" (51.44 cm)	27.00" (68.58 cm)
R67SB0317	37.00" (93.98 cm)	22.00" (55.88 cm)	9.00" (22.86 cm)	20.25" (51.44 cm)	35.63" (90.50 cm)



INSTALACIÓN (CONTINUACIÓN)

2. Módulo de encendido electrónico:

NOTA: La instalación del módulo de encendido, así como cualquier extensión y modificación, debe hacerla un electricista calificado.

Este asador se entrega con suficiente cableado para montar el módulo de encendido en el lugar que muestra la Figura 1.

El módulo de encendido debe montarse de manera que se tenga fácil acceso al compartimiento de la batería para reemplazo de esta. Vea la Figura 2.

Conecte los cables en las conexiones pequeñas y grandes en la parte posterior del módulo de encendido. Vea la Figura 3.

Se muestra parte del asador solo para ilustración

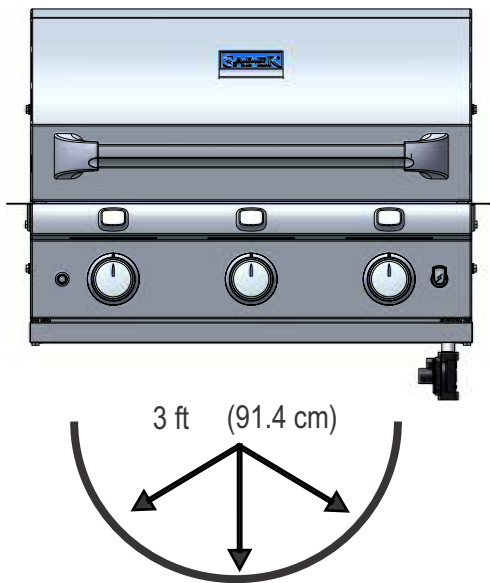
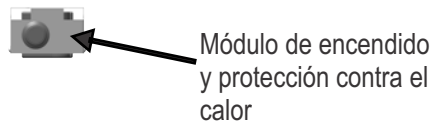
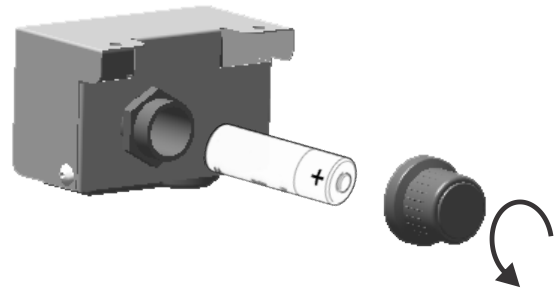


Figura 1

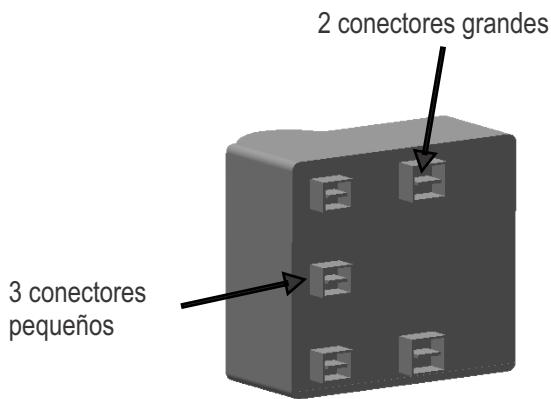


Módulo de encendido y protección contra el calor



Gire el tapón hacia la izquierda para abrir el compartimiento de la batería.

Figura 2



R50SB0417

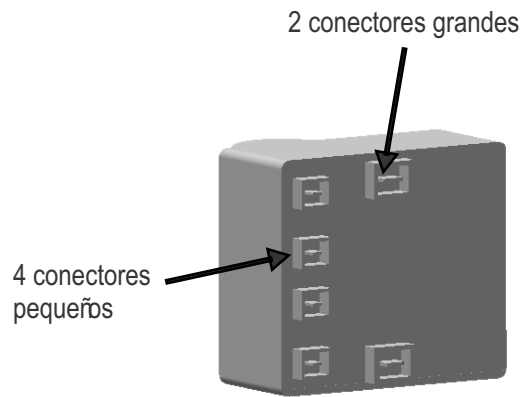


Figura 3

R67SB0317

INSTALACIÓN (CONTINUACIÓN)

3. Transformador eléctrico:

No se incluyen sujetadores para el transformador.

NOTA: La instalación del transformador y cualquier extensión del cableado debe hacerla un electricista calificado.

El electricista deberá usar sujetadores apropiados para el tipo de materiales usados para fabricar el gabinete.

Este asador se entrega con suficiente cable para montar el transformador eléctrico de iluminación en el lugar que muestra la Figura 4. El transformador puede colocarse en un lugar diferente al extender los cables del transformador en el lado de salida del voltaje del transformador (vea la Figura 4). No se proporcionan extensiones de cable, y estas deben hacerse de materiales con capacidad equivalente a la de los cables de salida de bajo voltaje (vea las clasificaciones impresas en cada cable). Si se extienden los cables, tenga cuidado de mantener las conexiones proporcionadas de fábrica que conectan los cables con los demás componentes del asador. El transformador debe conectarse a tierra correctamente con el cable de conexión a tierra conectado en el transformador. Se debe instalar una toma con interruptor de falla a tierra (GFI) conectada a tierra correctamente cerca del transformador de manera que el enchufe en los cables de entrada de alto voltaje incluido se conecte fácilmente en la toma GFI. **No intente extender los cables de entrada de alto voltaje.**

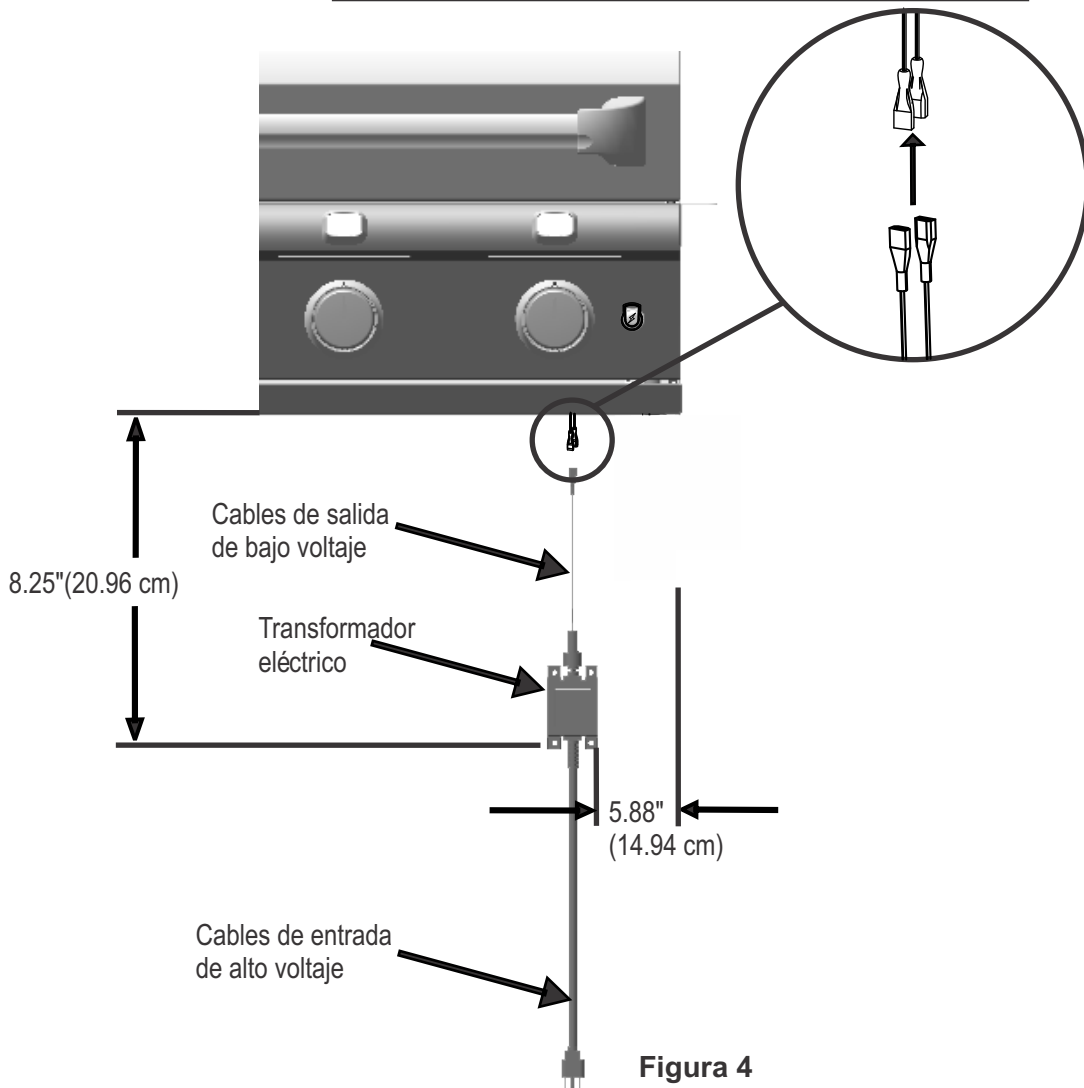
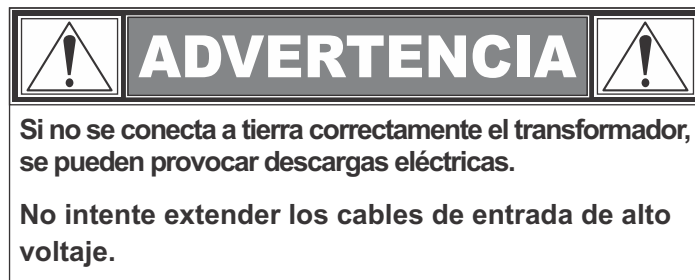


Figura 4

INSTALACIÓN (CONTINUACIÓN)

IMPORTANTE

Antes de la construcción, confirme con su distribuidor si se requiere algún permiso para cumplir con los códigos de instalación de gas natural locales o del estado.

Se recomienda que utilice a un técnico de gas certificado o con licencia para hacer todas las conexiones de gas natural.

Para permitir un rendimiento adecuado de calentamiento de la parrilla, confirme que su presión de alimentación de gas natural doméstica sea suficiente para mantener una presión del múltiple de 4,0" W.C. en cada aparato (medida mientras está en funcionamiento). Una presión de suministro de gas natural doméstica de 7"±1,5" W.C. en cada regulador del aparato es deseable para lograr la presión de salida de 4,0" W.C. en cada regulador. Si la parrilla está funcionando a una presión de gas inferior a 4,0" W.C., la tasa de BTU resultante para cada uno disminuirá resultando en un mal desempeño de calentamiento. Una presión de gas reducida también puede hacer que cada dispositivo sea más susceptible al soplado del viento. Un técnico de gas certificado puede confirmar si la presión del suministro de gas natural de su hogar es aceptable.

Conexiones de gas natural y reguladores de servicio por encima de 1/2 psi:

Antes de 1998, todos los reguladores de gas de servicio residencial funcionaban a una presión de salida de 7 pulgadas de columna de agua.

En la edición de NFPA 54 de 1998, el Código Nacional de Gas Combustible (National Fuel Gas Code), se realizó un cambio que permitió utilizar reguladores de servicio de 2 y 5 psi.

Con este cambio también se requirió que se conectara un regulador en línea entre el regulador de servicio y el del aparato si el sistema usaba 2 o 5 psi. Este regulador adicional no se suministra con el producto.

Es posible que un usuario, que realice la conexión por sí mismo, o un plomero, que no verifique, haga una conexión a una tubería de 2 o 5 psi. Si se suministra una presión de 2 psi o superior al regulador del aparato en ciertos asadores, éste se cerrará y no suministrará gas al asador. La toma de desconexión rá pida y la manguera que se incluyen no deben utilizarse a presiones superiores a 1/2 psi.

Si la parrilla está conectada correctamente y no se recibe gas, se debe verificar la presión de suministro. Si la presión es mayor de 1/2 psi, asegúrese de que haya un regulador en línea presente.

Una vez que el asador haya sufrido exceso de presión, el regulador puede o no haberse dañado. Lo más recomendable es sustituir el regulador.

PRECAUCIÓN

El modelo de parrilla R50SB0417 y el modelo R67SB0317 se fijan para funcionar con gas natural. Ambos aparatos también están diseñados para la conversión a gas LP.

LA CONVERSIÓN A GAS LP DEBE SER REALIZADA POR UN TÉCNICO CERTIFICADO DE GAS.

LP modelo de kit de conversión A00AA5517 debe ser utilizado (vendido separadamente).

ADVERTENCIA

La cocina al aire libre debe ser desconectada del sistema de tuberías de suministro de gas natural durante cualquier prueba de presión del sistema que supere ½ PSIG (3,5 kPa).

La cocina al aire libre debe ser aislada del sistema de tubería de suministro de gas natural cerrando todas las válvulas de cierre durante cualquier prueba de presión del sistema que sea igual o menor de ½ PSIG (3,5 kPa).

Nunca conecte la parrilla a una fuente no regulada de gas.

4. Conexión de la línea de suministro de gas natural:

Paso 1: Dimensionamiento correctamente de la línea de suministro de gas natural

En la mayoría de los casos, basta con una tubería con un diámetro de ½" a ¾" para conectar su cocina al aire libre a su sistema de suministro de gas natural doméstico. El tamaño correcto de la tubería depende de lo siguiente:

1. la longitud total de la tubería de suministro de gas natural de su vivienda
2. el punto de conexión de su cocina al aire libre con el sistema de suministro de gas natural de su hogar con respecto a la posición de los aparatos a gas natural en su vivienda
3. la distancia deseada de la cocina al aire libre hasta el suministro de gas natural en su vivienda
4. la tasa de BTU total combinada de todos los aparatos a gas natural en su vivienda.

Un técnico de gas certificado podrá recomendar el tamaño y la longitud adecuada de la tubería de gas para conectar su cocina al aire libre a su suministro de gas doméstico. La tasa de BTU de la parrilla es de 24.000 BTU / hr para el modelo R50SB0417 y 32.000 BTU / hr para el modelo R67SB0317.

Paso 2: Colocación de la válvula de cierre manual

Es recomendable instalar fuera del recinto de la cocina una válvula de cierre manual con el tamaño correcto para la tubería de suministro de gas. Esta válvula permitirá un acceso seguro para cerrar el suministro de gas natural a la cocina al aire libre en caso de emergencia. Una ubicación conveniente para la válvula de seguridad es en la parte posterior del recinto de la cocina cerca de la roldana en la pared posterior. Esto permite un fácil acceso para conectar la tubería de gas en el recinto a la válvula de seguridad (ver la imagen a continuación).

INSTALACIÓN (CONTINUACIÓN)

4. Conexión de la línea de suministro de gas natural (continuación)

NOTA: La instalación de la línea de suministro de gas al asador debe hacerla un plomero calificado.

La línea de suministro de gas de su casa debe dirigirse hasta la esquina posterior derecha del asador, dentro del gabinete del asador. Se recomienda usar tubería rígida para conectar en la entrada del regulador del aparato de gas natural. El movimiento constante de los tubos flexibles de gas podría causar fatiga de la tubería flexible y fugas de gas. Si la línea de suministro doméstica no usa tubería rígida, cualquier línea de gas flexible debe fijarse dentro del gabinete para prevenir el movimiento constante y la fatiga.

Antes de instalar el asador en el gabinete:

1. Cierre el suministro de gas doméstico (posición **OFF**).
2. Retire el tapón protector de plástico del accesorio de conexión del tubo de 1/2" que se encuentra en la parte inferior de la esquina posterior derecha del asador (vea la Figura 5).

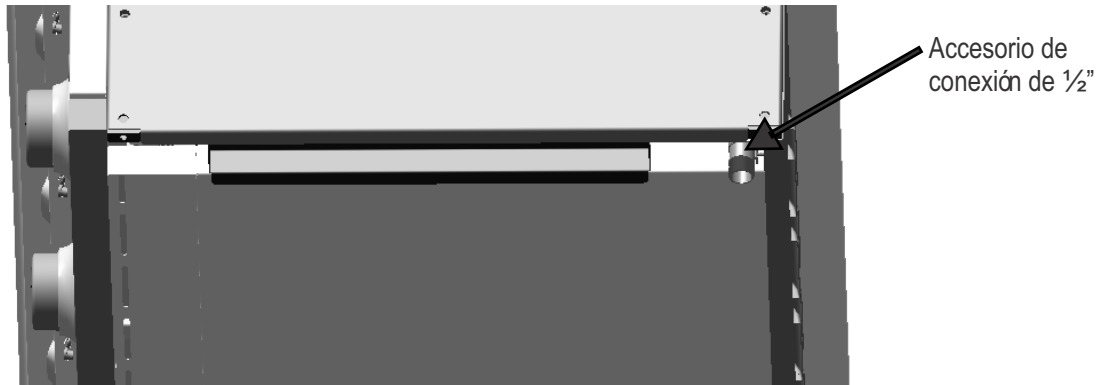


Figura 5
Vista lateral

3. Aplique compuesto para conexiones de tubería (no incluido) al accesorio de conexión de 1/2". El compuesto que se use debe ser resistente a todos los gases.
4. Conecte el regulador del aparato de gas natural (incluido) en el accesorio de conexión de 1/2", teniendo cuidado de conectar el lado de salida hacia el accesorio de conexión (vea la Figura 6). Los lados de entrada (IN) y salida (OUT) del regulador están marcados en la parte posterior del cuerpo del regulador.

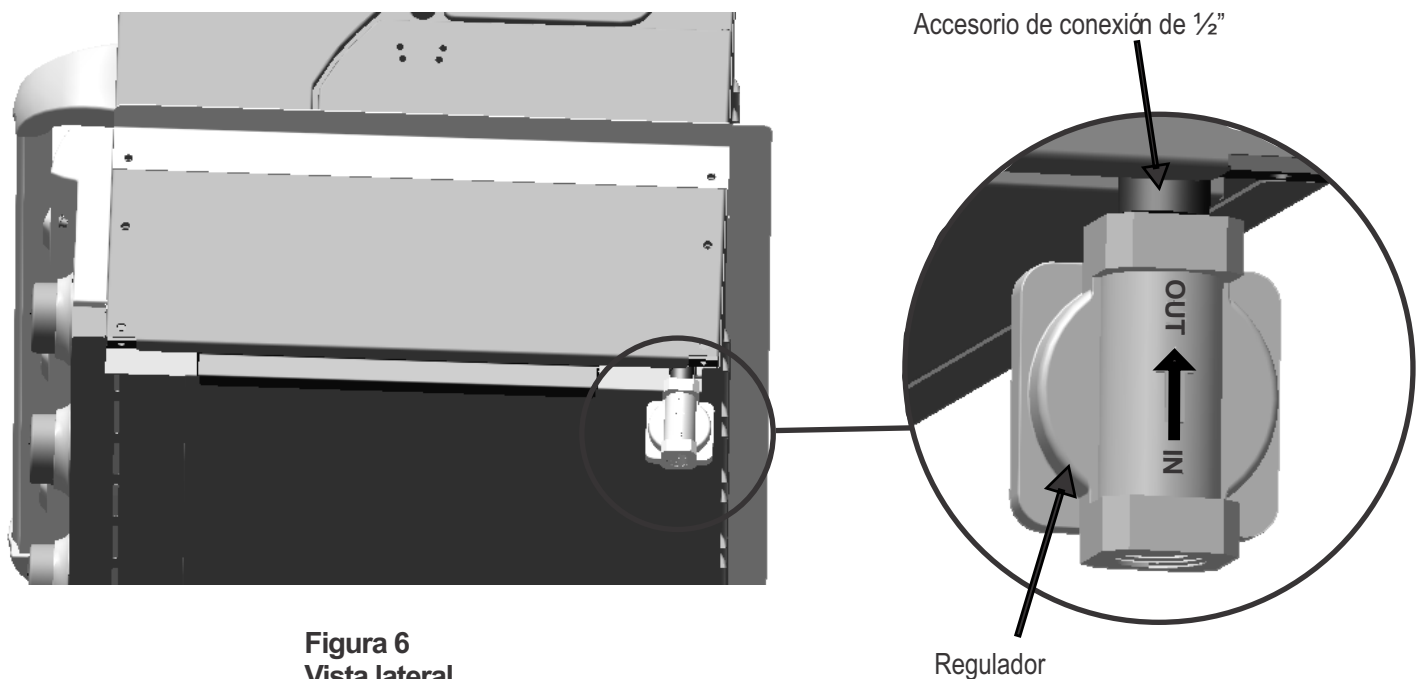


Figura 6
Vista lateral

INSTALACIÓN (CONTINUACIÓN)

4. Conexión de la línea de suministro de gas natural (continuación)

Durante la instalación en la tubería, asegúrese de que el regulador se gire para alinear la parte posterior del cuerpo con la pared lateral derecha del asador (vea la Figura 7). Esto asegurará que no haya interferencia entre el regulador y el brazo de montaje del asador que se usó en el gabinete.

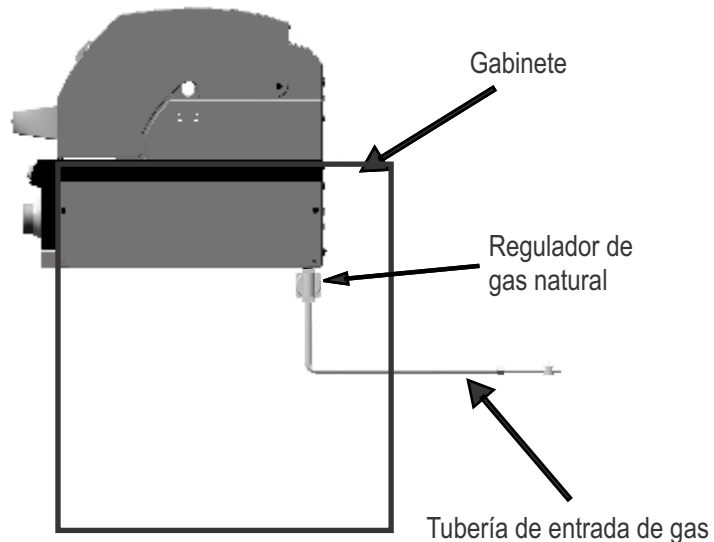


Figura 7
Vista lateral

5. El asador está ahora listo para instalarse en el gabinete. Tenga cuidado de no dañar el regulador durante la instalación. Se requieren dos personas para levantar el asador y colocarlo en el gabinete.

Después de instalar el asador en el gabinete:

1. Conecte la tubería doméstica de suministro de gas en el lado de entrada del regulador del aparato de gas natural, siguiendo los métodos de conexión recomendados y descritos más atrás. Aplique compuesto para conexiones de tubería (no incluido) en la tubería de entrada antes de conectar la tubería en el regulador.
2. Confirme que todas las perillas del asador estén apagadas OFF.
3. Abra el gas de suministro doméstico.
4. Proceda al paso 5, Prueba de detección de fugas.

NOTA: Se recomienda instalar una válvula de cierre manual fuera del gabinete del asador (vea la Figura 8).

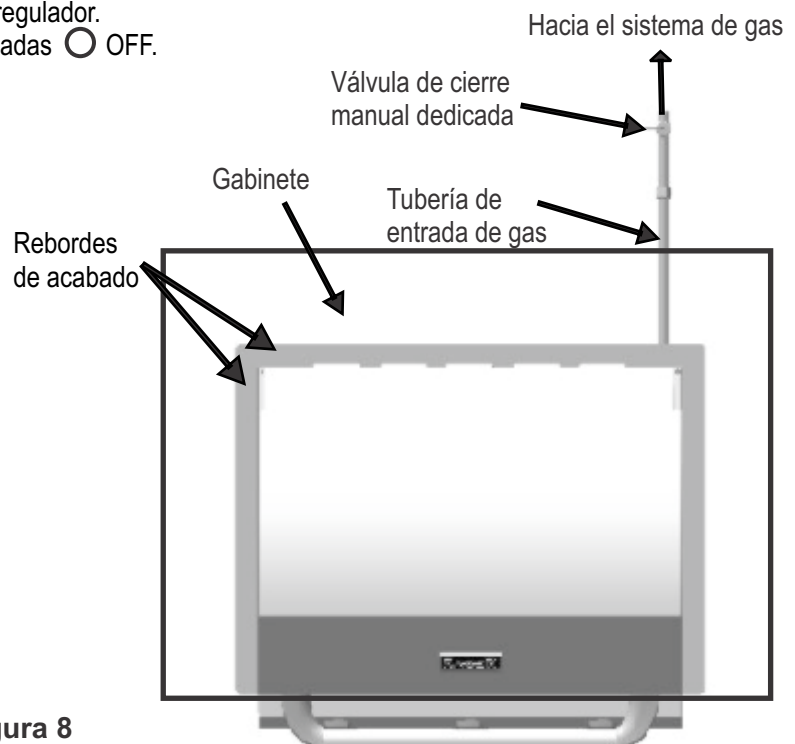


Figura 8
Vista superior

INSTALACIÓN (CONTINUACIÓN)

5. Prueba de detección de fugas

1. Cierre todas las perillas de control del asador OFF.
2. Abra el gas de suministro doméstico.
3. Use una brocha para pintar limpia y una solución de agua jabonosa suave 50/50. Aplique la solución jabonosa en las áreas indicadas. (Vea la Figura 9).
4. Si aparecen burbujas que aumentan de tamaño, hay una fuga. Cierre el suministro de gas principal y apriete bien todas las conexiones. Si no puede detener la fuga, no trate de repararla; llame a un plomero calificado para que la corrija.
5. El aparato y la válvula de cierre individual deben desconectarse del sistema de tubería de suministro de gas durante cualquier prueba de presión en ese sistema a presiones mayores de ½ psig (3.5 kPa).
6. El aparato debe aislarse del sistema de tubería de suministro de gas al cerrar la válvula de cierre manual durante cualquier prueba de presión del sistema de tubería de suministro de gas a presiones de prueba iguales o menores de ½ psig (3.5k Pa).

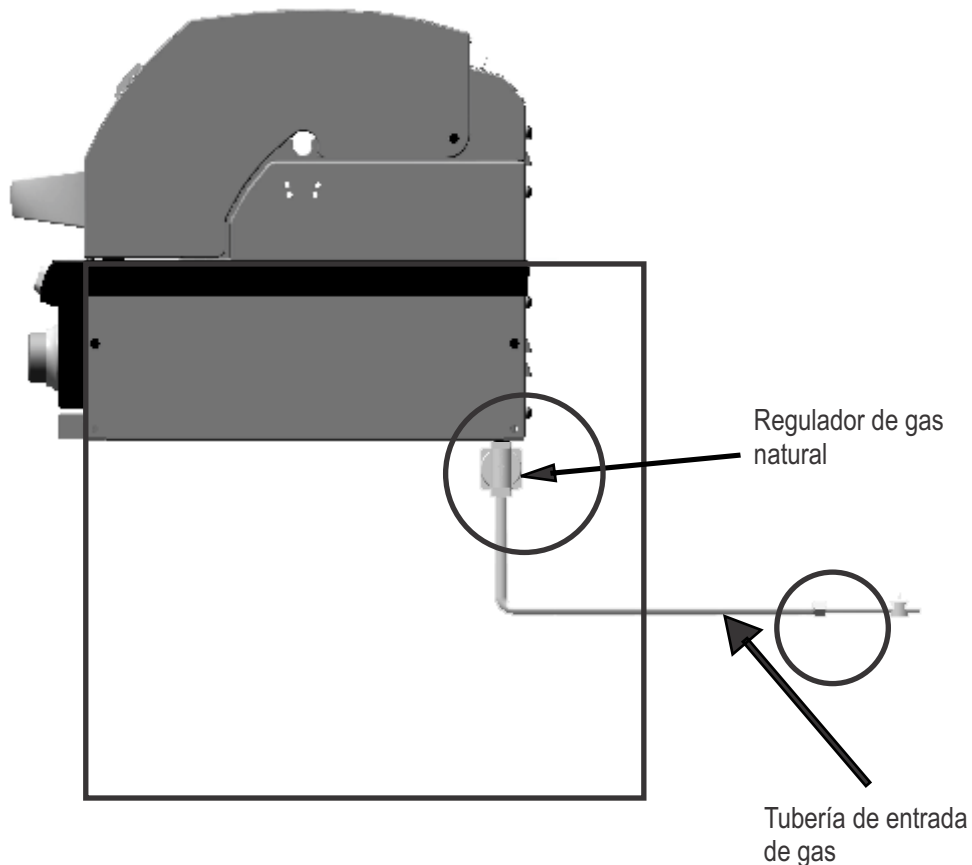


Figura 9
Vista lateral

INSTRUCCIONES DE OPERACIÓN CON ELECTRICIDAD



No deje que el cordón de alimentación eléctrica cuelgue sobre el borde de la mesa ni que toque ninguna superficie caliente.

Use la extensión más corta que requiera.

No conecte dos o más extensiones juntas.

Para protegerse de descargas eléctricas, no sumerja el cordón eléctrico o enchufe en agua u otros líquidos.

Desconéctelo de la toma eléctrica cuando no lo use y antes de limpiar el asador. Permita que se enfríe antes de colocar o retirar piezas.

No use el asador si el cordón eléctrico o el enchufe está dañado, o después de que haya funcionado mal o haya resultado dañado de alguna manera. Comuníquese con el fabricante para reparación.

No use ningún aparato de gas para cocinar en el exterior para otros propósitos para los que no fue diseñado.

Al conectarlo, primero conecte el enchufe en el aparato de gas de uso externo y luego enchúfelo en la toma eléctrica

Nunca elimine el enchufe de conexión a tierra ni lo use con un adaptador de dos clavijas.

Use solamente cordones eléctricos que tengan un enchufe con conexión a tierra de tres clavijas, clasificado para la energía del equipo y aprobado para usarse con una marcación W-A.



Desde 1971, el Código Nacional de Electricidad (National Electric Code, NEC) ha requerido que todos los circuitos exteriores cuenten con interruptores de falla de tierra.

Si su residencia fue construida antes de 1971, consulte a un electricista calificado para determinar si cuenta con un protector de interrupción de falla de tierra.

No utilice este aparato si el circuito no cuenta con protección de falla de tierra.

No conecte este aparato en un circuito interior.

Uso con electricidad

1. Asegúrese de que el interruptor de electricidad en el panel de control esté en la posición de apagado (OFF). El botón debe estar a ras con el aro.



POSICIÓN DE APAGADO

2. Conecte el enchufe eléctrico en una toma con interruptor de falla a tierra (GFI). Consulte la Parte 3, Transformador eléctrico, en las instrucciones de instalación, para ver el reemplazo recomendado de la toma con interruptor de falla a tierra.
3. Presione el botón para encender el interruptor de electricidad. Vuelva a presionar el botón para apagarlo.



POSICIÓN DE ENCENDIDO

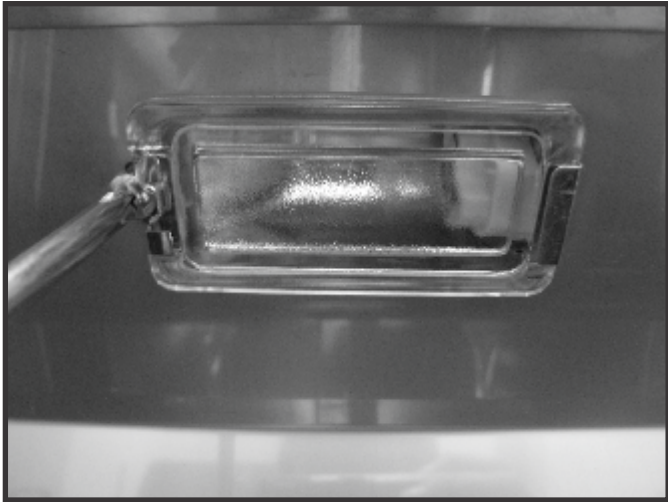
Reemplazo del foco

Nota: Asegúrese de que el interruptor eléctrico en el panel de control esté en la posición de **apagado** (OFF) y que el enchufe del adaptador esté desconectado de la toma eléctrica.

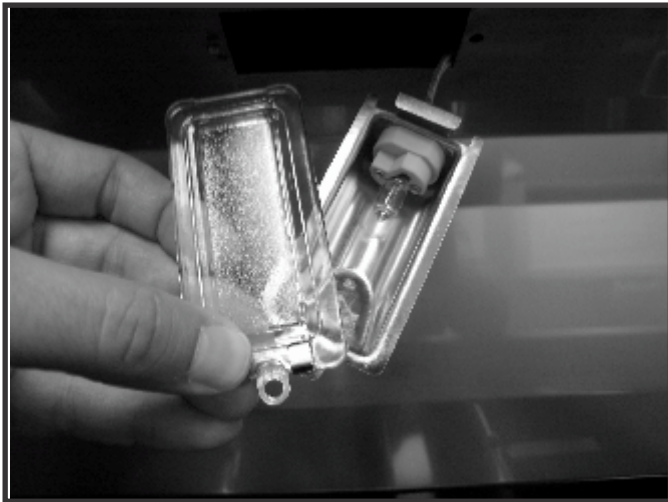
Especificación para reemplazo de un foco estándar:

Tipo de foco:	halógeno	
Vataje:	10 W por foco	Puede comprarse
Voltaje:	12 V	en una ferretería

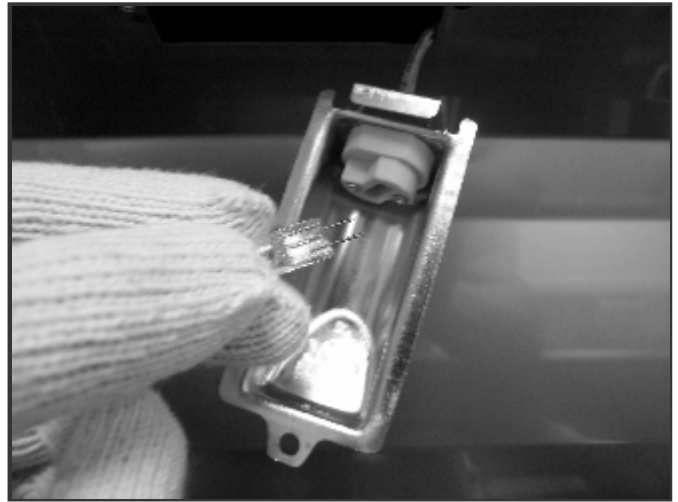
1. Afloje el tornillo que fija el conector del foco.




2. Quite el conector y retire la lente.




3. Retire el foco y reemplácelo por uno nuevo.





IMPORTANTE



Tenga cuidado de no tocar el foco con los dedos sin protección. Si toca el foco con la piel, puede quedar una capa en el foco que hace que se quemé rápidamente.

4. Para volver a instalar el foco, invierta los pasos 2 a 1.

Limpieza de la lente

1. Antes de limpiar, asegúrese de que el interruptor de electricidad esté en la posición de **apagado** (OFF) y que el enchufe eléctrico esté desconectado de la toma de corriente.
2. No limpie la lente de cristal cuando esté caliente; permita que se enfríe antes de limpiarla. Un cambio brusco de temperatura puede hacer que la lente de cristal se fracture.
3. Use una toalla humedecida para limpiar la lente.
4. Permita que la lente se seque antes de volver a conectar el enchufe eléctrico en la toma y presione el interruptor eléctrico a la posición de **encendido** (ON).

Elemento	Término de garantía
Piezas de acero inoxidable	
Tapas e insertos de tapas	Garantía limitada de por vida
Fogón y paneles del carrito	Garantía limitada de por vida
Tubos de quemadores y tubos de transferencia	10 años
Parrillas, emisores y parrillas de calentamiento	5 años sin óxido o calcinación
Piezas de porcelana con esmalte	
Inserto de tapa	Garantía limitada de por vida (excluye decoloración)
Fogón interior	Garantía limitada de por vida sin oxidación o calcinación (excluye decoloración)
Parrillas de calentamiento, parrillas y fogones	5 años sin óxido o calcinación (excluye decoloración)
Piezas pintadas	2 años (excluye decoloración)
Todas las demás piezas	2 años

GARANTÍA LIMITADA DE POR VIDA:

Saber garantiza que los componentes fabricados de acero inoxidable (tapas, insertos de las tapas, fogón exterior y paneles del carrito) están libres de defectos en el material y de fabricación bajo el uso normal residencial durante toda la vida del producto.

La garantía limitada de por vida cubre la integridad estructural de las tapas, insertos de las tapas, el fogón exterior y los paneles del carrito. En caso de ocurrir deterioro estructural hasta el grado que impida el funcionamiento, las piezas se reemplazarán sin cargo al comprador por la instalación. Los costos relacionados con la instalación de piezas de garantía de reemplazo no están cubiertos

por esta garantía limitada de por vida y son responsabilidad exclusiva del dueño.

Esta garantía excluye la decoloración, los rayones en la superficie, las manchas debido al clima y a la atmósfera, y la oxidación menor de la superficie, los cuales son condiciones normales que se prevé que ocurran en cualquier producto de uso en el exterior.

GARANTÍA LIMITADA DE DIEZ AÑOS: Saber garantiza los tubos del quemador de acero inoxidable y los tubos de transferencia por estar libres de defectos en los materiales y en la fabricación bajo uso residencial normal durante un periodo de diez (10) años a partir de la fecha de compra original. Las piezas se reemplazarán sin costo.

GARANTÍA LIMITADA DE CINCO AÑOS: Saber garantiza que las parrillas de asar, los emisores, las parrillas de calentamiento de acero inoxidable, y las parrillas de calentamiento de porcelana con esmalte, las parrillas y los fogones están libres de defectos en sus materiales y de fabricación bajo uso residencial normal durante un periodo de cinco (5) años a partir de la fecha de compra original. Las piezas se reemplazarán sin costo.

GARANTÍA TOTAL DE DOS AÑOS: Saber garantiza que todas las piezas pintadas y cualquier otra pieza que no se mencione específicamente más atrás están libres de defectos en sus materiales y de fabricación bajo uso residencial normal durante un periodo de dos (2) años a partir de la fecha de compra original. Saber reemplazará la pieza que resulte defectuosa o que se descubra que está defectuosa durante el periodo de garantía sin costo para el comprador original.

El dueño será responsable de hacer la instalación adecuada y de proporcionar cuidado y mantenimiento, así como de proporcionar el comprobante de compra cuando se le solicite.

Saber se reserva el derecho, ANTES de enviar piezas de reemplazo de garantía, de requerir que la pieza en cuestión se devuelva para inspección y análisis. Las piezas solicitadas deben devolverse a Saber, con flete pagado por el consumidor.

LIMITACIONES Y EXCLUSIONES DE GARANTÍA

Esta garantía excluye las unidades compradas para usarse en todos los tipos de lugares comerciales o de uso comunitario como restaurantes, hoteles, establecimientos de servicio de comida, complejos de condominio o departamentos, propiedades para renta, y los productos cuyo número de serie haya sido alterado o removido.

La cobertura de garantía comienza en la fecha de compra original, y se requiere presentar el comprobante de compra para el servicio de garantía. Registre su producto y conserve su comprobante de compra original.

Para activar la garantía, requerimos que envíe la tarjeta de registro de garantía adjunta o que registre su producto en línea.

Esta garantía aplica solamente al dueño original del asador y no es transferible.

Esta garantía no aplica a daños que resulten por negligencia, alteración, mal uso, abuso, accidente, desastre natural, pérdida de energía eléctrica para el producto por cualquier razón, instalación incorrecta u operación incorrecta, ajustes o calibraciones sin autorización, muescas, abolladuras, rayones o daños debido a productos químicos de limpieza fuertes.

Saber no será responsable por daños incidentales, consecuentes, especiales o contingentes causados por su incumplimiento de esta garantía escrita o de cualquier garantía implícita.

En caso de cualquier reemplazo de garantía, todo el trabajo de remoción, reemplazo e instalación es responsabilidad del dueño del asador.

Saber se reserva el derecho de reemplazar cualquier producto defectuoso por un producto del mismo valor que el precio de compra original. La reparación o reemplazo de garantía es a entera discreción de Saber.

Los distribuidores no pueden, bajo ninguna circunstancia, ajustar, alterar o ampliar las condiciones y términos de la garantía original.

La garantía de Saber no cubre lo siguiente:

- Costos de mano de obra relacionados con la instalación o configuración, diagnóstico de un problema o reparaciones.
- Mantenimiento y cuidado de rutina normal recomendado.
- Daño debido a accidente, alteración, mal uso, abuso, ambientes hostiles, instalación incorrecta, o instalación que no sea en conformidad con las normas y regulaciones locales, estatales y federales.
- Uso de piezas “universales” no autorizadas.
- Daño o corrosión causada por falta de mantenimiento, negligencia en seguir las instrucciones de cuidado y uso del fabricante, fuego debido a grasa, animales e insectos.
- Cualquier daño causado por el uso comercial o comunitario de este producto.
- Los modelos de exhibición de venta generalmente se venden “COMO ESTÁN”. Si usted ha comprado un modelo de exhibición, debe saber que se vendió “COMO ESTÁ” y que está sujeto a las siguientes exclusiones de garantía:
 - Cualquier daño exterior o cosmético no está cubierto por la garantía
 - Cualquier componente faltante será reemplazado con costo exclusivo para el comprador.

EXENCIÓN DE RESPONSABILIDAD DE GARANTÍAS IMPLÍCITAS Y LIMITACIÓN DE RECURSOS

EL ÚNICO Y EXCLUSIVO RECURSO DEL CLIENTE DE ACUERDO CON ESTA GARANTÍA LIMITADA SERÁ LA REPARACIÓN O REEMPLAZO DEL PRODUCTO COMO SE ESTIPULA EN LA PRESENTE. LAS GARANTÍAS IMPLÍCITAS, INCLUYENDO GARANTÍAS DE COMERCIABILIDAD PARA UN PROPÓSITO PARTICULAR, SE EXCLUYEN O LIMITAN A UN AÑO O AL PERIODO MÁS CORTO QUE PERMITA LA LEY. SABER NO SERÁ RESPONSABLE DE DAÑOS INCIDENTALES O CONSECUENTES. ALGUNOS ESTADOS O PROVINCIAS NO PERMITEN LA EXCLUSIÓN DE DAÑOS INCIDENTALES O CONSECUENTES, O LIMITACIONES EN LA DURACIÓN DE GARANTÍA IMPLÍCITA DE COMERCIABILIDAD O IDONEIDAD, DE MANERA QUE ESAS EXCLUSIONES O LIMITACIONES PODRÍAN NO SER APLICABLES PARA USTED. ESTA GARANTÍA LE CONFIERE DERECHOS LEGALES ESPECÍFICOS, Y USTED PODRÍA TENER TAMBIÉN OTROS DERECHOS QUE PUEDEN VARIAR DE UN ESTADO A OTRO O DE UNA PROVINCIA A OTRA.

Cómo obtener servicio o piezas de reparación de garantía:

Antes de comunicarse con su distribuidor o de llamarnos directamente, asegúrese de que su asador esté registrado. Puede registrarlo en: <http://www.sabergrills.com/registration>.

Llame a su distribuidor autorizado Saber. En el siguiente enlace puede encontrar una lista de distribuidores y su información de contacto: <http://www.sabergrills.com>.

Utilice nuestro servicio al cliente en línea en <http://www.sabergrills.com/warranty service>.

Llame directamente a Saber al teléfono 1-(888)-94S-ABER (947-2237). Esperamos poder servirle.

También puede escribirnos a:

Saber®
Servicio de garantía
P. O. Box 1977
Columbus, GA. 31902

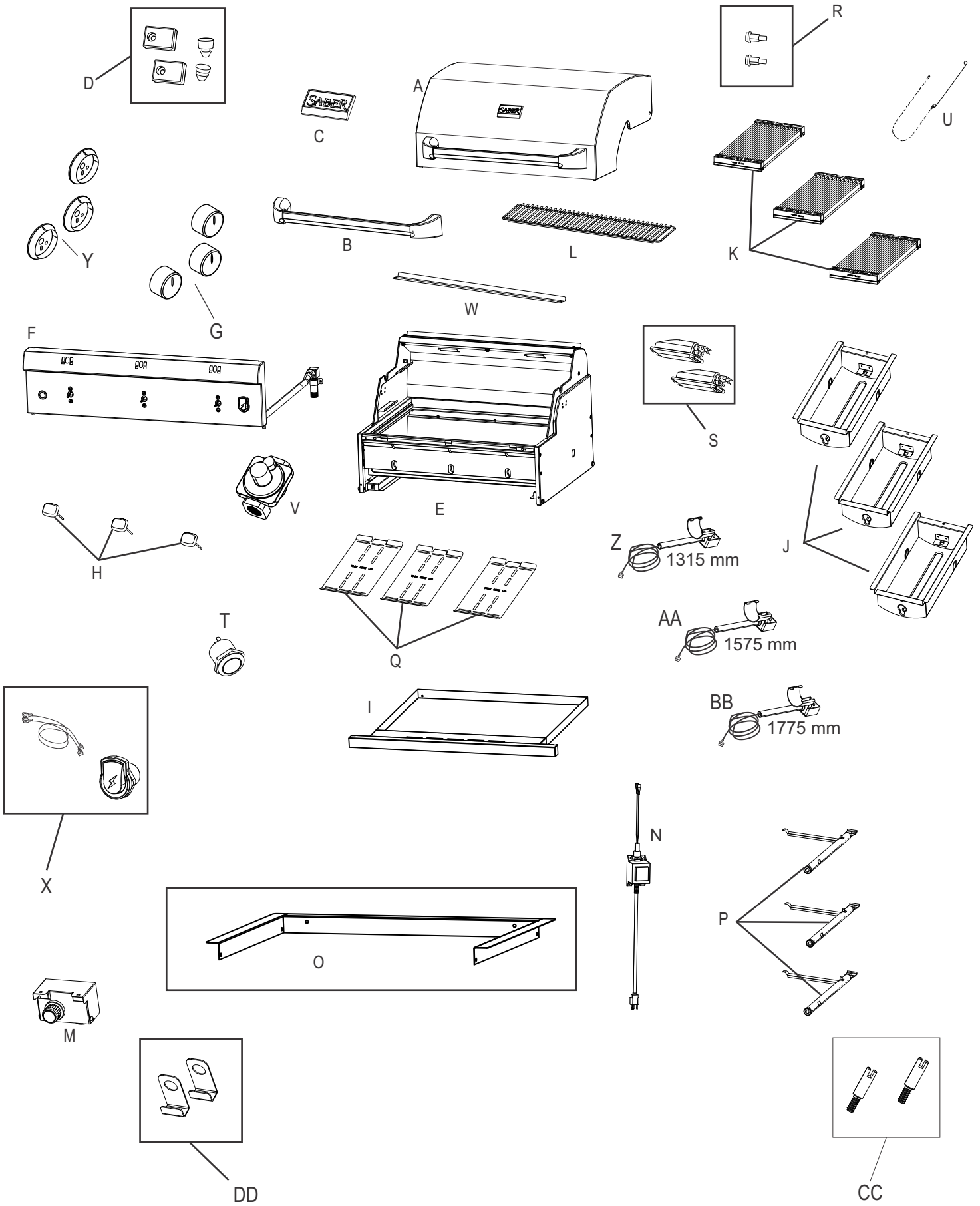
Tenga preparada la siguiente información para proporcionarla: nombre del comprador, modelo y número de serie del asador, fecha de compra y descripción precisa del problema.

Fecha de compra:	
Distribuidor donde compró el asador:	
Teléfono del distribuidor:	
Número de modelo: <i>(se encuentra en la portada del manual de instrucciones o en la etiqueta de especificaciones)</i>	
Número de serie: <i>(se encuentra en la portada del manual de instrucciones o en la etiqueta de especificaciones)</i>	

R50SB0417 LISTA DE PIEZAS

Clave	Cant.	Descripción
A	1	JUEGO, conjunto de la tapa
B	1	JUEGO, manija de la tapa
C	1	JUEGO, placa de logotipo
D	1	JUEGO, tope de la tapa, silicón, (JUEGO de 4)
E	1	JUEGO, conjunto del fogón
F	1	JUEGO, consola de control, con conjunto de válvula e interruptores
G	3	Perilla de control
H	3	Indicador de temperatura, UFC, con pinza
I	1	Conjunto de charola para grasa
J	3	JUEGO, caja del quemador
K	3	JUEGO, parrilla de cocinado, con emisor
L	1	Parrilla de calentamiento
M	1	JUEGO, módulo de encendido
N	1	JUEGO, transformador, para luz de halógeno del asador
O	1	JUEGO, rebordes de acabado (JUEGO de 3)
P	3	JUEGO, quemador, con tubo de transferencia
Q	3	JUEGO, protección de calor del fogón
R	1	JUEGO, tornillo de la tapa, (JUEGO de 2)
S	1	JUEGO, luz, para luz de halógeno del asador, (JUEGO de 2)
T	1	JUEGO, interruptor, para luz de halógeno del asador y LED
U	1	Portacerillos, con cadena
V	1	Regulador de aparato de gas natural
W	1	JUEGO, viento pantalla
X	1	JUEGO, Módulo de encendido switch, con cables
Y	3	JUEGO, bisel
Z	1	Electrodo con alambres de encendido, 1315 mm
AA	1	Electrodo con alambres de encendido, 1575 mm
BB	1	Electrodo con alambres de encendido, 1775 mm
CC	2	Pasadores de tope de gas natural (JUEGO de 2)
DD	1	JUEGO, soportes de la barra del asador, (JUEGO de 2)
No se ilustran		
...	1	Paquete de tornillería
...	1	Herramienta para limpiar parrillas
...	1	Guía del producto, inglés, español, francés

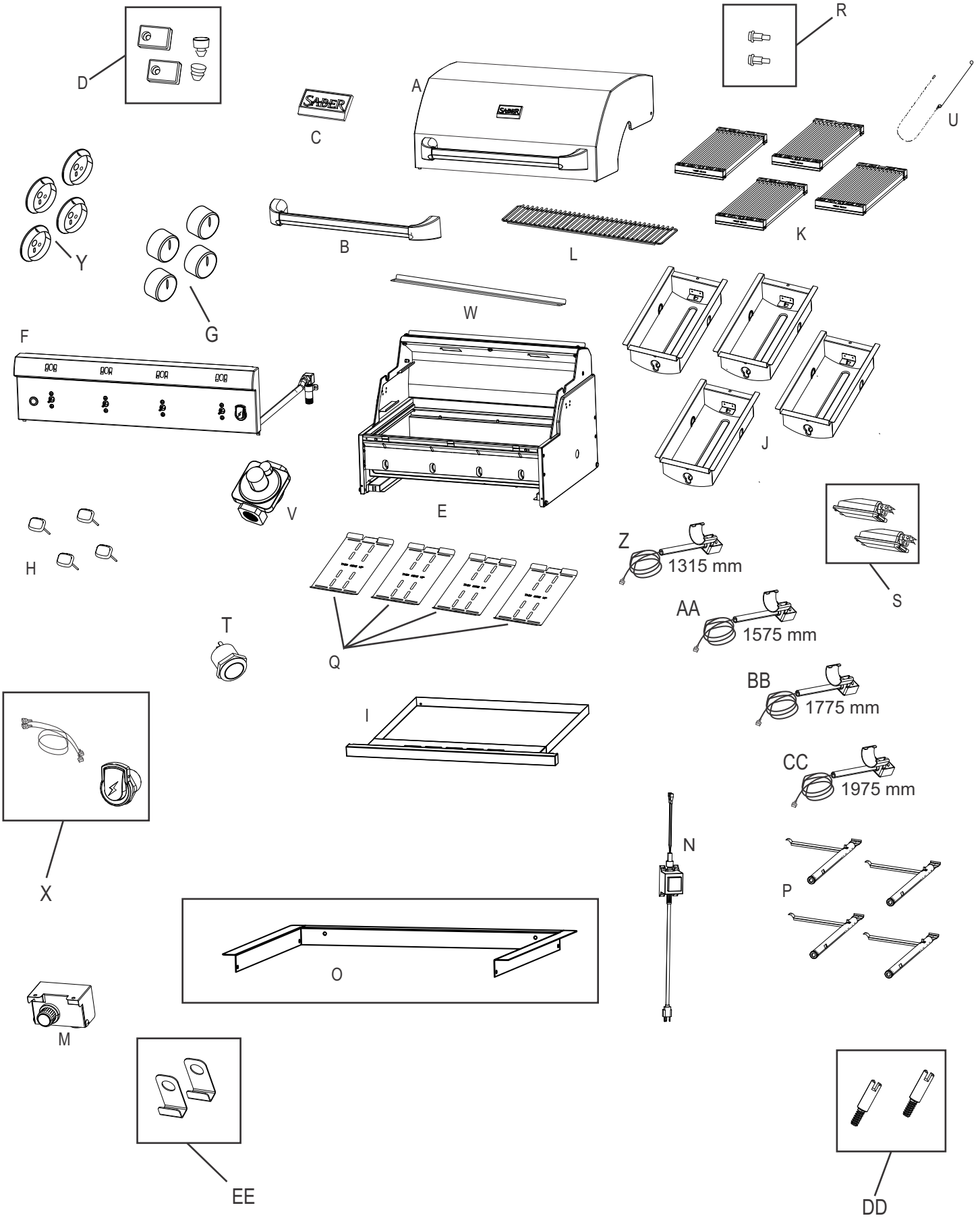
R50SB0417 DIAGRAMA DE LAS PARTES







R67SB0317 LISTA DE PIEZAS

Clave	Cant.	Descripción
A	1	JUEGO, conjunto de la tapa
B	1	JUEGO, manija de la tapa
C	1	JUEGO, placa de logotipo
D	1	JUEGO, tope de la tapa, silicón, (JUEGO de 4)
E	1	JUEGO, conjunto del fogón
F	1	JUEGO, consola de control, con conjunto de válvula e interruptores
G	4	Perilla de control
H	4	Indicador de temperatura, UFC, con pinza
I	1	Conjunto de charola para grasa
J	4	JUEGO, caja del quemador
K	4	JUEGO, parrilla de cocinado, con emisor
L	1	Parrilla de calentamiento
M	1	JUEGO, módulo de encendido
N	1	JUEGO, transformador, para luz de halógeno del asador
O	1	JUEGO, rebordes de acabado (JUEGO de 3)
P	4	JUEGO, quemador, con tubo de transferencia
Q	4	JUEGO, protección de calor del fogón
R	1	JUEGO, tornillo de la tapa, (JUEGO de 2)
S	1	JUEGO, luz, para luz de halógeno del asador, (JUEGO de 2)
T	1	JUEGO, interruptor, para luz de halógeno del asador y LED
U	1	Portacerillos, con cadena
V	1	Regulador de aparato de gas natural
W	1	JUEGO, viento pantalla
X	1	JUEGO, Módulo de encendido switch, con cables
Y	4	JUEGO, bisel
Z	1	Electrodo con alambres de encendido, 1315 mm
AA	1	Electrodo con alambres de encendido, 1575 mm
BB	1	Electrodo con alambres de encendido, 1775 mm
CC	1	Electrodo con alambres de encendido, 1975 mm
DD	2	Pasadores de tope de gas natural (JUEGO de 2)
EE	1	JUEGO, soportes de la barra del asador, (JUEGO de 2)
No se ilustran		
...	1	Paquete de tornillería
...	1	Herramienta para limpiar parrillas
...	1	Guía del producto, inglés, español, francés

R67SB0317 DIAGRAMA DE LAS PARTES






CASOS DE EMERGENCIA: Si no se puede detener una fuga de gas, o si ocurre un incendio debido a una fuga de gas, llame a los bomberos.

Emergencias	Causas probables	Medidas de prevención / solución
Fugas de gas de mangueras agrietadas, cortadas o quemadas.	<ul style="list-style-type: none"> Manguera dañada o de la línea de gas. 	<ul style="list-style-type: none"> Cierre el gas en el cilindro o en la fuente de los sistemas de gas natural. Si se producen quemaduras o daños, reemplace la tubería de gas, la manguera o el regulador. Deje de usar el producto hasta que el gasista haya investigado la causa de la falla y realice los arreglos necesarios.
Fuga de gas del cilindro.	<ul style="list-style-type: none"> Falla mecánica debido a la oxidación o al mal uso. 	<ul style="list-style-type: none"> Cambie el cilindro de gas.
Fuga de gas de la válvula del cilindro.	<ul style="list-style-type: none"> Falla de la válvula del cilindro debida al mal uso o a falla mecánica. 	<ul style="list-style-type: none"> Cierre la válvula del cilindro de gas . Devuelva el cilindro al proveedor de gas.
Fuga de gas entre el cilindro y la conexión del regulador.	<ul style="list-style-type: none"> Instalación inadecuada, la conexión no está bien apretada, falla de la junta de caucho. 	<ul style="list-style-type: none"> Cierre la válvula del cilindro de gas . Retire el regulador del tanque y examine visualmente la junta de caucho para detectar cualquier daño. Lea las secciones tituladas <i>Prueba para detectar fugas en un cilindro de gas</i> y <i>Cómo conectar el regulador al cilindro de gas</i>.
Sale fuego por el tablero de control.	<ul style="list-style-type: none"> Fuego en la sección del tubo del quemador debido a un bloqueo. 	<ul style="list-style-type: none"> Cierre las perillas de control y la válvula del cilindro de gas . Deje abierta la tapa para permitir que las llamas se extingan. Una vez que se haya extinguido el fuego y la parrilla esté fría, retire el quemador y examínelo para ver si tiene nidos de arañas o herrumbre. Lea las páginas relativas a <i>Los peligros Naturales</i> y <i>la limpieza de la unidad del quemador</i>.
Hay continuamente fuego producido por la grasa o demasiadas llamas sobre la superficie de cocinar.	<ul style="list-style-type: none"> El exceso de grasa acumulada en la zona del quemador. 	<ul style="list-style-type: none"> Cierre las perillas de control y la válvula del cilindro de gas . Deje abierta la tapa para permitir que las llamas se extingan. Una vez que se haya enfriado, limpie las partículas de comida y la acumulación de grasa en la parte interior de la zona de la cámara de combustión, la bandeja para la grasa y toda otra superficie.
o el suministro de GN esté abierto	<ul style="list-style-type: none"> El regulador no está sellado en la tubería de entrada de gas del quemador lateral. 	<ul style="list-style-type: none"> CIERRE el suministro del gas. Desconecte las tuberías de entrada de gas del regulador. Retire el regulador del quemador lateral y vuelva a sellarlo a la tubería de entrada de gas. Vuelva a conectar las tuberías de gas al regulador.

Resolución de problemas

Problema	Causas probables	Medidas de prevención / solución
<p>El quemador o los quemadores no se enciende(n) al usar el encendedor. (Lea además la sección <i>Resolución de problemas del encendido electrónico</i>)</p> <p><i>Continúa en la página siguiente.</i></p>	<p>PROBLEMAS DE GAS:</p> <ul style="list-style-type: none"> Está tratando de encender el quemador equivocado. El quemador no está conectado a la válvula de control. Obstrucción en el quemador. No hay flujo de gas. Hay vapor atrapado en la tuerca de unión al tanque de gas. La tuerca de unión y la válvula del tanque de gas no están bien conectadas. <p>PROBLEMAS DE ELECTRICIDAD:</p> <ul style="list-style-type: none"> Electrodo agrietado o roto; salen "chispas de la grieta". La punta del electrodo no está en la posición correcta. El cable o el electrodo está cubierto con restos de comida. Los cables están flojos o desconectados. Los cables producen cortocircuitos (chispas) entre el encendedor y el electrodo. Pila gastada. 	<ul style="list-style-type: none"> Lea las instrucciones en el tablero de control y en la sección titulada <i>Uso y mantenimiento</i>. Hacer que las válvulas estén ubicadas en el interior de los tubos del quemador. Verifique que el tubo de los quemadores no esté obstruido con telarañas u Otras materias. Lea la parte referente a la limpieza en la sección <i>Uso y mantenimiento</i>. Verifique que el tanque no esté vacío o el suministro de GN esté abierto. Si el tanque de gas no está vacío, lea la sección referente a la <i>Caida repentina del flujo de gas</i>. Cierre las perillas y desconecte la tuerca de unión del tanque. Vuelva a conectarla y trate de nuevo. Gire la tuerca de unión entre media vuelta y tres cuartos de vuelta adicionales, hasta que no la pueda girar más. Apriétela a mano únicamente, no use herramientas. Cambie el (los) electrodo(s). <p>Quemadores principales:</p> <ul style="list-style-type: none"> La punta del electrodo debe estar orientada hacia el orificio de combustión del puerto del quemador. La distancia debe ser de 1/8" a 1/4". Ajustela si es necesario. <p>Quemador lateral:</p> <ul style="list-style-type: none"> La punta del electrodo debe estar orientada hacia el orificio de combustión del puerto del quemador. La distancia debe ser de 1/8" a 3/16". Ajustela si es necesario. <ul style="list-style-type: none"> Limpie el cable y el electrodo con alcohol de frotar y un hisopo limpio. Vuelva a conectar los cables o cambie la unidad de electrodo/cable. Cambie la unidad del cable del encendedor / el electrodo. Cámbiela por una pila alcalina nueva, de tamaño.

Resolución de problemas (continuación)

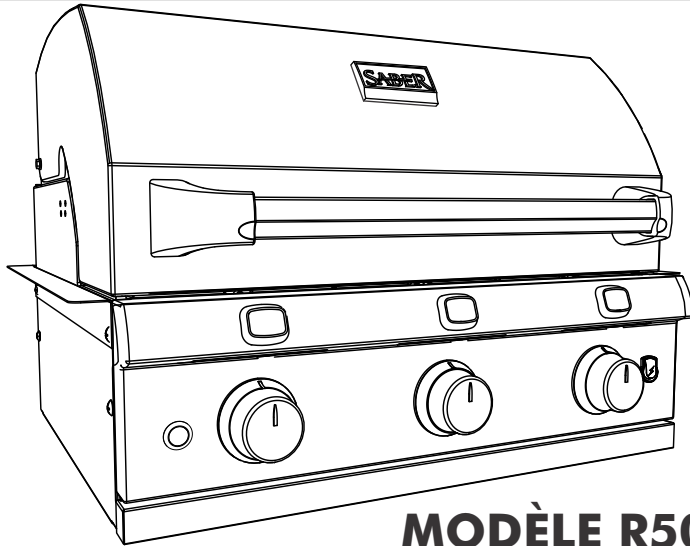
Problema	Causas probables	Medidas de prevención / solución
El quemador o los quemadores no se enciende(n) al usar el encendedor. (Lea además la sección <i>Resolución de problemas del encendido electrónico</i>)	ENCENDIDO ELECTRÓNICO: <ul style="list-style-type: none"> No hay chispa, no hay sonido de encendido. No hay chispa, hay un sonido leve de encendido. Hay chispas, pero no en el electrodo o a plena potencia. 	<ul style="list-style-type: none"> Lea la sección I de <i>Sistema de encendido electrónico</i>. Lea la sección II de <i>Sistema de encendido electrónico</i>. Lea la sección III de <i>Sistema de encendido electrónico</i>.
El quemador o los quemadores no se encienden con fósforos.	<ul style="list-style-type: none"> Lea "PROBLEMAS DE GAS:" en la página anterior. El fósforo no llega al punto de encendido. Método inadecuado de encendido con fósforos. 	<ul style="list-style-type: none"> Use un fósforo de palito largo (fósforo para encender chimeneas). Lea la parte titulada <i>Encendido con fósforos</i> de la sección <i>Uso y mantenimiento</i>. Verifique que el tanque de gas esté cargado.
Caída repentina del flujo de gas o llama reducida.	<ul style="list-style-type: none"> Se acabó el de gas propano Se activó la válvula por sobrecarga de gas propano Hay vapor atrapado en la conexión de la tuerca de unión y el tanque de gas. Obstrucción de la tubería de GN Cierre del regulador de GN 	<ul style="list-style-type: none"> Cierre las perillas, espere 30 segundos y encienda la parrilla. Si las llamas siguen siendo bajas, cierre la perilla y la válvula del tanque de gas. Desconecte el regulador. Vuelva a conectar el regulador y haga una prueba para detectar fugas. Abra la válvula del tanque de gas, espere 30 segundos y, luego, encienda la parrilla. Cierre las perillas de control y la válvula del cilindro de gas. Desconecte la tuerca de unión del tanque. Vuelva a conectarla y trate de nuevo. Verifique el suministro del GN Un gasista debe verificar la presión del suministro de GN
Llamas que se apagan.	<ul style="list-style-type: none"> Vientos fuertes o en ráfagas. Bajo flujo de gas propano. Se activó la válvula por sobrecarga de gas. 	<ul style="list-style-type: none"> Gire el frente de la parrilla de modo que quede de cara al viento, o aumente la graduación de las llamas. Recargue el tanque de gas. Lea lo referente a la <i>Caída repentina del flujo de gas</i> en la sección anterior.
Fogonazos.	<ul style="list-style-type: none"> Acumulación de grasa. Carne sumamente grasosa. Temperatura de cocción demasiado elevada. GN bajo 	<ul style="list-style-type: none"> Limpie los quemadores y el interior de la parrilla / cámara de combustión. Desgrase la carne antes de cocinarla a la parrilla. Ajuste (baje) la temperatura según corresponda. Verifique el suministro del GN
Fuegos persistentes, producidos por la grasa.	<ul style="list-style-type: none"> Grasa atrapada por acumulación de restos de comida alrededor del sistema del quemador. 	<ul style="list-style-type: none"> Cierre las perillas . Cierre el paso de gas desde el tanque. Deje la tapa en su posición abierta y deje que se apague el fuego. Después de que se enfríe la parrilla, retire y limpie todas las piezas.
Retorno de las llamas... (fuego en los tubos del quemador).	<ul style="list-style-type: none"> El quemador o los tubos del quemador están obstruidos. 	<ul style="list-style-type: none"> Cierre las perillas . Limpie el quemador o los tubos del quemador. Lea la sección de limpieza del quemador de <i>Uso y mantenimiento</i>.
No se puede recargar el tanque de gas propano.	<ul style="list-style-type: none"> Algunos vendedores de gas usan boquillas de llenado viejas, con las roscas gastadas. 	<ul style="list-style-type: none"> Las boquillas desgastadas no tienen suficiente "agarre" para conectarse a la válvula . Comuníquese con otro vendedor de gas.
Un quemador no se enciende de otro(s) quemador(es).	<ul style="list-style-type: none"> Algunos vendedores de gas usan boquillas de llenado viejas, con las roscas gastadas. 	<ul style="list-style-type: none"> Las boquillas desgastadas no tienen suficiente "agarre" para conectarse a la válvula. Comuníquese con otro vendedor de gas.

Resolución de problemas - Encendido electrónico

Problema (encendido)	Causas probables	Procedimiento de revisión	Medidas de prevención / solución
<p>SECCIÓN I</p> <p>No aparecen en cualquier chispas cuando los electrodos de encendido electrónico Buttonis presionado, no se puede escuchar el ruido de chispas módulo.</p>	<ul style="list-style-type: none"> • La pila no está instalada adecuadamente. • Pila gastada. • Módulo de chispas defectuoso. • Conexiones de los cables de extensión sueltos. 	<ul style="list-style-type: none"> • Revise la orientación de la pila. • ¿Es una pila usada? • Si no se generan chispas con la pila nueva y las conexiones del cable están bien hechas, el módulo está defectuoso. • Son conexiones de extensión apretado? 	<ul style="list-style-type: none"> • Instale la pila (verifique que los conectores "+" y "-" estén orientados correctamente, con el extremo "+" hacia arriba y el extremo "-" hacia abajo). • Cámbiela por una pila alcalina nueva. • Cambie la unidad del módulo de chispas. • Retire y vuelva a conectar las conexiones de cables de extensión .
<p>SECCIÓN II</p> <p>No aparecen en cualquier chispas cuando los electrodos de encendido electrónico Buttonis presionado; se puede escuchar el ruido de chispas módulo.</p>	<ul style="list-style-type: none"> • Las conexiones del cable de salida no están bien hechas. • Cables de extensión flojos o expuestos . 	<ul style="list-style-type: none"> • ¿Están conectadas y bien hechas las conexiones de salida? • Son conexiones de extensión apretado? Están aislados conexiones de extensión ? 	<ul style="list-style-type: none"> • Retire y vuelva a hacer todas las conexiones de salida en el módulo y en los electrodos. • Retire y vuelva a conectar las conexiones de cables de extensión . Use cinta aislante o encogimiento envolver para aislar las conexiones de cables de extensión .
<p>SECCIÓN III</p> <p>Hay chispas pero no en todos los electrodos y/o no a plena potencia</p>	<ul style="list-style-type: none"> • Las conexiones del cable de salida no están bien hechas. • El arco de la parrilla se forma lejos del (de los) quemador(es). • Pila débil. • Los electrodos están húmedos. • Los electrodos están agrietados o rotos, con "chispas en las grietas". • Interruptores de la perilla de encendido defectuosos. • Cables de extensión flojos o expuestos . 	<ul style="list-style-type: none"> • ¿Están conectadas y bien hechas las conexiones de salida? • Si es posible, observe la parrilla en un lugar oscuro. Haga funcionar el sistema de encendido y trate de detectar la formación del arco entre los cables de salida y el marco de la parrilla. • Se forman todas las chispas, pero son débiles o lentas. • ¿Se ha acumulado humedad en el electrodo y/o en los orificios de combustión? • Examine los electrodos para detectar grietas. • Si todos los demás procedimientos para resolver problemas, enumerados arriba no, solucionan el problema, es posible que el interruptor de encendido de la perilla esté defectuoso. • Son conexiones de extensión apretado? Están aislados conexiones de extensión ? 	<ul style="list-style-type: none"> • Retire y vuelva a hacer todas las conexiones de salida en el módulo y en los electrodos. • Si se observan chispas que no sean del (de los) quemador(es), es posible que esté dañado el aislamiento de los cables. Cambie los cables. • Cambie la pila por una pila alcalina nueva. • Use una toalla de papel para secar la humedad. • Cambie los electrodos agrietados o rotos. • Cambie la unidad de interruptor de encendido/válvula. • Retire y vuelva a conectar las conexiones de cables de extensión . Use cinta aislante o encogimiento envolver para aislar las conexiones de cables de extensión .

SABER®

ASSEMBLAGE DU GRIL ET GUIDE DE PRODUIT



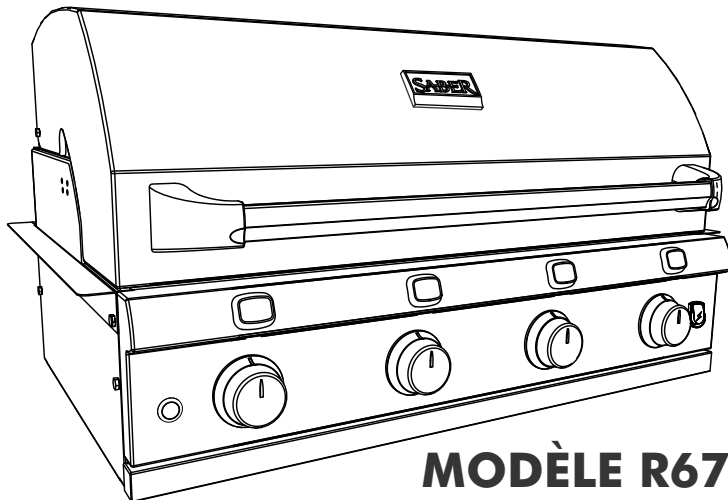
MODÈLE R50SB0417

IMPORTANT : veuillez renseigner les données d'enregistrement du produit ci-dessous.

Veuillez placer ici
l'étiquette du
numéro de série

Numéro de série

Date d'achat



MODÈLE R67SB0317

Si vous avez des questions ou si vous désirez de l'aide pour l'assemblage, veuillez appeler le :

+1-888-94-SABER

+1-888-947-2237

POUR ENREGISTRER LE PRODUIT ET TROUVER DES ASTUCES DE DÉMARRAGE, DES RECETTES OU DU SOUTIEN TECHNIQUE VISITER SABERGRILLS.COM



LA CONVERSION AU GAZ LP DOIT ÊTRE EFFECTUÉE PAR UN TECHNICIEN GAZIER AGRÉÉ :

- Il faut utiliser la trousse de modèle A00AA5517 pour la conversion au LP. Vendue séparément.
- Une ventilation additionnelle de l'enceinte est nécessaire.
- Une patte de fixation du réservoir LP doit être ajoutée à l'enceinte.
- Dans la construction de l'enceinte, un accès facile au réservoir LP doit être prévu.
- Voir les instructions concernant les normes de construction de l'enceinte fournies avec la trousse de modèle A00AA5517 pour les installations distantes de systèmes de gaz LP.

TABLE DES MATIÈRES

Pour votre sécurité	2-3
Utilisation et entretien	4-6
Planification de l'emplacement	7
Déballage	8
Assemblage du gril	9
Installation	10-16
Fonctionnement de l'éclairage du gril	17-18
Garantie	19-21
R50SB0417 Liste des pièces	22
R50SB0417 Schéma des pièces	23
R67SB0317 Liste des pièces	24
R67SB0317 Schéma des pièces	25
Dépannage	26-28

Symboles de sécurité

Les symboles et les cases ci-dessous expliquent la signification de chaque en-tête. Lire et respecter tous les messages contenus dans le présent manuel.



AVERTISSEMENT : indique une situation potentiellement dangereuse qui, si elle n'est pas évitée, pourrait provoquer la mort ou des blessures graves.



MISE EN GARDE : indique une situation potentiellement dangereuse qui, si elle n'est pas évitée, pourrait provoquer des blessures mineures ou modérées.



DANGER : indique une situation extrêmement dangereuse qui, si elle n'est pas évitée, pourrait provoquer la mort ou des blessures graves.



Si vous sentez une odeur de gaz :

- 1. coupez l'alimentation en gaz vers l'appareil;**
- 2. éteignez toute flamme nue;**
- 3. ouvrez le couvercle;**
- 4. si l'odeur persiste, éloignez-vous de l'appareil et appelez immédiatement votre fournisseur de gaz ou votre service des incendies.**



- 1. Ne pas entreposer ou utiliser de l'essence ou autres vapeurs ou liquides inflammables à proximité du présent appareil ou de tout autre appareil.**
- 2. Une bouteille de gaz PL non utilisée ne doit pas être entreposée à proximité du présent appareil ou de tout autre appareil.**



Pour usage résidentiel seulement. Ne pas utiliser pour la cuisson commerciale.

CE GRIL EST POIR USAGE EXTÉRIEURE SEULEMENT

MISE EN GARDE :

Lire et suivre toutes les consignes de sécurité, les consignes d'utilisation et d'entretien avant l'assemblage et la cuisson.

INSTALLER/ASSEMBLER:

Laisser le présent manuel chez le consommateur.

CONSOMMATEUR :

Conservé le présent manuel à titre de consultation.

AVERTISSEMENT :

Le non-respect des consignes du fabricant pourrait provoquer des blessures graves et/ou des dommages matériels.

MISE EN GARDE :

Certaines pièces pourront présenter des arêtes vives, tel qu'il est indiqué dans le manuel! Porter des gants de protection, s'il y a lieu.



AVERTISSEMENT



PROPOSITION 65 DE LA CALIFORNIE

1. L'État de Californie reconnaît que ce produit contient un produit chimique pouvant causer le cancer, des anomalies congénitales ou d'autres effets nuisibles à la reproduction.
2. L'État de Californie reconnaît que ce produit contient des produits chimiques, y compris du plomb et ses composés pouvant causer le cancer, des anomalies congénitales ou d'autres effets nuisibles à la reproduction.

Lavez-vous les mains après avoir manipulé le présent produit.

Consignes de sécurité pour l'installation

Utiliser le gril, tel qu'il a été acheté, seulement avec du gaz naturel et l'ensemble détendeur/robinet prévu. Une trousse de conversion doit être achetée pour être utilisée avec le gaz PL (propane).

L'installation du gril doit être conforme aux codes locaux ou, en leur absence, au Code national des gaz combustibles, ANSI Z223.1/NFPA 54, au Code d'installation du gaz naturel et du propane, CSA B149.1 ou au Code sur le stockage et la manipulation du propane, B149.2.

Tous les accessoires électriques (tels que rôtisserie) doivent être mis à la terre conformément aux codes locaux ou au Code national de l'électricité, ANSI/NFPA 70 ou au Code canadien de l'électricité, CSA C22.1. Tenir les cordons électriques et/ou les flexibles d'approvisionnement en carburant éloignés des surfaces chaudes.

Le présent gril est conforme aux normes de sécurité pour les États-Unis et/ou le Canada seulement. Ne pas modifier pour l'utilisation dans tout autre endroit. Toute modification entraînera des risques pour la sécurité.

Le détendeur et le flexible prévus doivent être utilisés et les pièces de rechange doivent être celles spécifiées par le fabricant de l'appareil.



AVERTISSEMENT



Ne pas tenter de réparer ou de modifier le détendeur de gaz naturel pour tout défaut « présumé ». Toute modification au présent ensemble annulera votre garantie et créera des risques de fuite de gaz et d'incendie. Utiliser seulement des pièces de rechange autorisées, fournies par le fabricant.

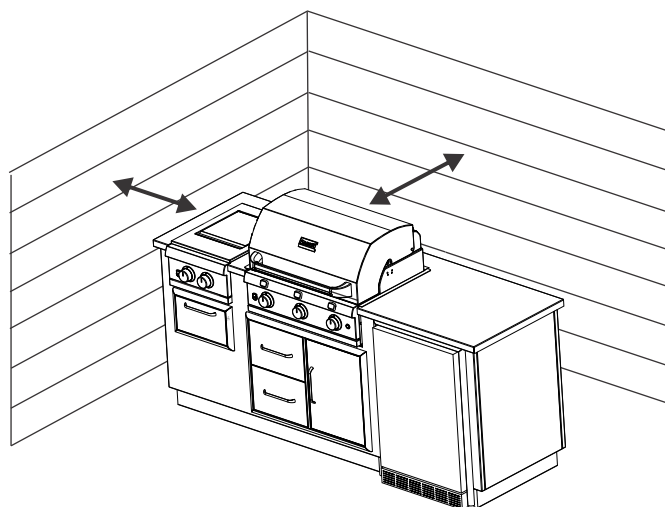


AVERTISSEMENT



Pour utiliser le gril de façon sûre et éviter des blessures graves :

- Ne pas laisser les enfants utiliser ou jouer à proximité de gril;
- Tenir la zone du gril dégagée et exempte de matières inflammables;
- Ne pas obstruer les trous d'aération sur les côtés ou à l'arrière du gril;
- Vérifier régulièrement les flammes des brûleurs;
- Utiliser le gril seulement dans un espace bien ventilé; NE JAMAIS utiliser dans un espace clos comme un abri à voitures, un garage, un porche, une terrasse couverte ou sous un ouvrage aérien de quelque nature que ce soit;
- Ne pas utiliser de charbon de bois ou de brique en céramique dans un gril au gaz;
- **Utiliser le gril à au moins 1 m (3 pi) de tout mur ou de toute surface;** maintenir 3 m (10 pi) de dégagement des objets qui peuvent prendre feu ou des sources d'inflammation, telles que les veilleuses des chauffe-eau, les appareils électriques sous tension, etc.



Conseils de sécurité

- Lorsque le gril n'est pas utilisé, fermer tous les boutons de commande et le robinet de gaz.
- Utiliser des ustensiles à manche long et des gants de cuisine pour éviter les brûlures et les éclaboussures.
- Le plateau de récupération des graisses doit être inséré dans le gril pendant l'utilisation et vidé après chaque utilisation. Ne pas retirer le plateau de récupération des graisses jusqu'à ce que le gril ait complètement refroidi.
- Nettoyer souvent le gril, de préférence après chaque repas en plein air. Si une brosse à soie est utilisée pour nettoyer les surfaces de cuisson du gril, s'assurer qu'aucune des soies ne reste sur les surfaces de cuisson avant l'utilisation suivante. Il n'est pas recommandé que vous nettoyez les surfaces de cuisson alors que le gril est chaud.
- Si vous remarquez de la graisse ou autre matière chaude dégouttant du gril sur le robinet, le flexible ou le détendeur, fermez immédiatement l'alimentation en gaz. Déterminer la cause, corriger la situation, puis nettoyer et inspecter le robinet, la conduite de gaz et le détendeur avant de continuer. Effectuer un essai de fuite.
- Le détendeur de gaz naturel pourra bourdonner ou siffler au moment du fonctionnement. Ceci n'affectera pas la sécurité ou l'utilisation du gril.
- Si vous avez un souci avec le gril, voir la section « Dépannage ».

UTILISATION ET ENTRETIEN



DANGER



Ne pas insérer quelque outil ou objet étranger dans la sortie du robinet. Vous pourriez endommager le robinet et provoquer une fuite. Les fuites de gaz pourront provoquer une explosion, un incendie, des blessures graves ou la mort.



AVERTISSEMENT



- L'appareil au gaz extérieur n'est pas destiné à être installé à bord d'un bateau.
- L'appareil au gaz extérieur n'est pas destiné à être installé à bord d'un VR.
- Ne jamais tenter de raccorder le présent gril au circuit de gaz autonome d'une caravane ou d'une maison mobile.
- Ne pas utiliser le gril jusqu'à ce qu'il ait subi des essais de fuite.
- À tout moment, si une fuite est détectée, **ARRÊTER TOUT** et appeler le service des incendies.
- Si vous ne pouvez pas arrêter la fuite de gaz, fermer immédiatement le robinet de gaz, puis communiquez avec votre fournisseur de gaz ou votre service des incendies!





MISE EN GARDE

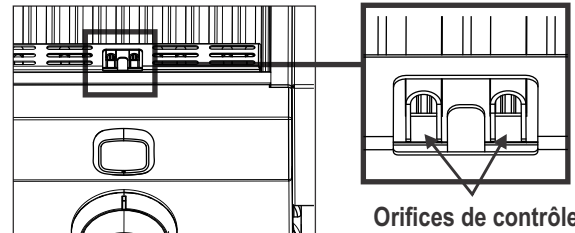



- L'extinction des feux de graisse en refermant le couvercle n'est pas possible. Les grils sont bien ventilés pour des raisons de sûreté.
- Ne pas utiliser d'eau sur un feu de graisse. Des blessures pourront en résulter. Si un feu de graisse se déclenche, fermer les boutons et le robinet de gaz.
- Ne pas laisser le gril sans surveillance pendant le réchauffage ou le brûlage des résidus alimentaires à feu vif. Si le gril n'est pas nettoyé régulièrement, un feu de graisse peut se déclencher qui pourra endommager le produit.

Allumage des brûleurs principaux

Il ne faut pas se pencher au-dessus de l'appareil durant l'allumage.

1. Mettez tous les boutons de réglage en position d'arrêt .
2. Ouvrez l'alimentation en gaz sur le réservoir de GPL.
3. Laissez le couvercle ouvert durant l'allumage.
4. Pour allumer, poussez sur le bouton de réglage du brûleur et tournez-le à la position maximale .
5. Poussez sur le bouton D'ALLUMAGE ÉLECTRONIQUE et maintenez-le enfoncé jusqu'à ce que le brûleur s'allume (utilisez les orifices de contrôle de la flamme pour vérifier).



6. Si l'appareil ne s'allume pas en 5 secondes, fermez le robinet du brûleur , attendez 5 minutes, et procédez de nouveau à l'allumage.
7. Allumez les autres brûleurs en répétant les étapes 4 à 6 pour chaque brûleur.
8. Une fois le brûleur allumé, tournez les boutons de réglage à la position désirée.



AVERTISSEMENT



Fermer les commandes et la source de gaz lorsque le gril n'est pas utilisé.





MISE EN GARDE

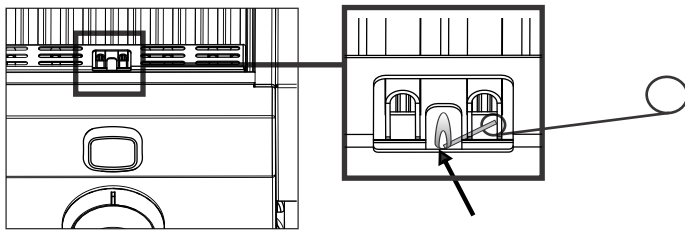


Si l'appareil ne s'allume pas en 5 secondes, fermez le robinet du brûleur, attendez 5 minutes, et procédez de nouveau à l'allumage. Si le brûleur ne s'allume pas à l'ouverture du robinet, le gaz continuera à sortir du brûleur et pourrait s'enflammer accidentellement, provoquant un risque de blessure.

Allumage du brûleur principal avec une allumette

Ne pas se pencher sur le gril au moment de l'allumage

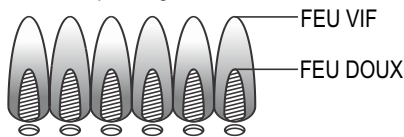
1. Mettez tous les boutons de réglage en position **d'arrêt** ○.
2. Ouvrir la source de gaz.
3. Ouvrir le couvercle au moment de l'allumage.
4. Placer une allumette dans le porte-allumettes (sur le côté droit du gril).
Craquer une allumette, la placer dans l'orifice d'allumage, à l'avant de la grille de cuisson, à l'extrême droite.
5. Enfoncer, puis tourner le bouton de commande correspondant à la position . S'assurer que le brûleur s'allume et demeure allumé.
6. Si l'appareil ne s'allume pas en 5 secondes, fermez le robinet du brûleur, attendez 5 minutes, et procédez de nouveau à l'allumage.
7. Allumer les autres brûleurs en enfonçant le bouton de commande et en le tournant à la position .



Orifice d'allumage pour allumette

Vérifier la flamme du brûleur

Retirer les grilles de cuisson et les injecteurs. Allumer les brûleurs, tourner les boutons de commande de FEU VIF à FEU DOUX. Vous devriez voir une plus petite flamme à la position FEU DOUX qu'à la position FEU VIF. Toujours vérifier la flamme avant chaque utilisation. Si seulement une petite flamme est obtenue, voir « Chute soudaine ou petite flamme » à la section Dépannage.



- **Fermer le gril**
Tourner tous les boutons de commande à la position ○ **OFF** (arrêt).
Tourner la source de gaz à la position **OFF** (arrêt).
- **Vérifier l'allumeur**
Appuyez et maintenez enfoncé le bouton d'allumage électronique.
"Cliquez sur" devrait être entendu et voir des étincelles chaque fois entre le boîtier collecteur ou le brûleur et l'électrode. Voir "Dépannage" si aucun clic ou d'une étincelle.
- **Vérifier le robinet**
Important : S'assurer que le gaz est coupé à la source avant de vérifier les robinets. Boutons de commande verrouillés à la position ○ **OFF** (arrêt). Pour vérifier les robinets, enfoncer d'abord les boutons de commande, puis relâcher, les boutons de commande devraient revenir à leur position initiale. Si les boutons de commande ne reviennent pas à leur position initiale, remplacer l'ensemble robinet avant d'utiliser le gril. Tourner les boutons de commande à la position FEU DOUX, puis les retourner à la position ○ **OFF** (arrêt). Les robinets devraient tourner librement.
- **Vérifier le flexible**
Avant chaque utilisation, vérifier que le flexible en acier inoxydable n'est pas coupé ou usé. Remplacer les flexibles endommagés avant d'utiliser le gril. Utiliser seulement un flexible pour gaz naturel et un détendeur spécifié par le fabricant.

Conseils de démarrage rapide

Préchauffage pour différents types de cuisson au gril :

- Saisir - préchauffer avec tous les brûleurs à FEU VIF pour une température maximale des grilles de cuisson.
- Barbecue - préchauffer avec tous les brûleurs à FEU DOUX pour une température de départ des grilles plus faible, pour une cuisson plus lente des aliments.
- Griller indirectement - préchauffer un brûleur seulement sur le côté opposé où les aliments seront placés afin de permettre aux morceaux de viande plus gros de griller plus lentement à feu doux.
- Rôtissage - placer la grille de réchaud sur les supports inférieurs et utiliser directement le(s) brûleur(s) sous les aliments à FEU DOUX ou indirectement pour une cuisson à température plus basse. Ceci garantira une plus chaleur autour des aliments pendant la cuisson.

Abaisser la température de la grille de cuisson :

- Bouton de commande - tourner le bouton de commande sur **FEU DOUX** pour une température la plus basse possible.
- Bouton de commande - pour une température plus basse possible de la grille de cuisson, les aliments peuvent être indirectement grillés avec le brûleur sous les aliments à la position ○ **OFF** (arrêt) et un seul brûleur éloigné des aliments sur **FEU DOUX**.
- Pendant la cuisson, le gril peut être refroidi plus rapidement en soulevant le couvercle tout en réglant les boutons de commande à une température plus basse.

Ajouter un goût de fumé pendant la cuisson :

- Ne pas utiliser de copeaux en bois sur la grille de cuisson d'un gril Saber.
- Les copeaux en bois peuvent être utilisés en les plaçant entre les barres de la grille de cuisson. Le trempage des copeaux en bois pendant un minimum de 15 minutes avant l'utilisation prolongera le temps de fumée.
- Un fumoir (vendu séparément) peut être utilisé en le remplissant avec des copeaux en bois et en le plaçant directement sur la grille de cuisson avec le brûleur réglé sur FEU VIF ou FEU DOUX.

Nettoyage général du gril

Ne pas confondre l'accumulation brune ou noire de graisse et la fumée avec la peinture. Appliquer une forte solution de détergent et d'eau ou utiliser un nettoyant pour gril avec une brosse sur les intérieurs du couvercle du gril et la sole. Rincer et laisser sécher à l'air complètement.

Ne pas appliquer un nettoyant caustique pour gril/four sur les surfaces peintes.

- **Pièces en plastique** : Laver avec de l'eau chaude savonneuse, puis assécher. Ne pas utiliser de Citrisol, de nettoyants abrasifs, de dégraissants ou de nettoyants concentrés pour gril sur les pièces en plastique. Ceci peut les endommager et causer leur défaillance.
- **Surfaces en porcelaine** : En raison de leur composition vitreuse, la plupart des résidus peuvent être essuyés avec du bicarbonate de soude/une solution d'eau ou un produit spécialement formulé. Utiliser de la poudre à récurer non abrasive pour les taches tenaces.
- **Surfaces peintes** : Laver avec un détergent doux ou non abrasif et de l'eau chaude savonneuse. Assécher avec un chiffon doux non abrasif.

Nettoyage général du grill (suite).

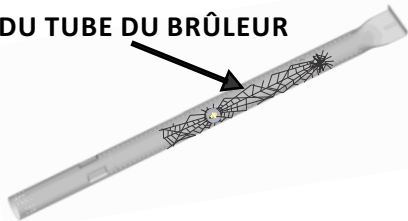
Surfaces en acier inoxydable : Afin de maintenir la belle apparence du grill, laver avec un détergent doux et de l'eau chaude savonneuse, puis assécher avec un chiffon doux après chaque utilisation. Les dépôts de graisse cuits pourront nécessiter l'utilisation d'un tampon de nettoyage en plastique abrasif. Utiliser seulement selon l'orientation du fini brossé pour éviter d'endommager. Ne pas utiliser de tampons abrasifs aux endroits comportant des graphiques.

Surfaces de cuisson : Si une brosse à soie est utilisée pour nettoyer les surfaces de cuisson du grill, s'assurer qu'aucune des soies ne reste sur les surfaces de cuisson avant l'utilisation suivante. Il n'est pas recommandé que vous nettoyez les surfaces de cuisson alors que le grill est chaud.

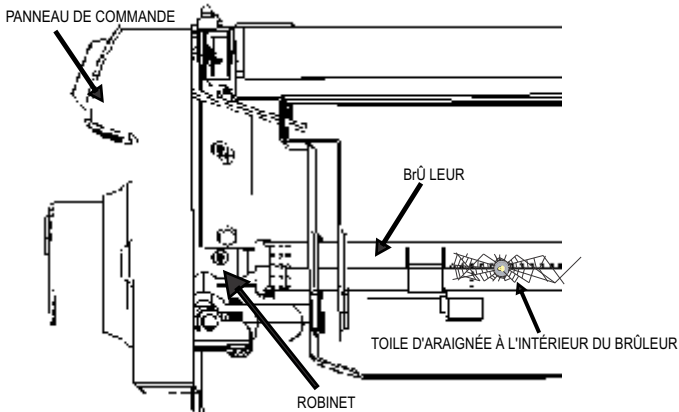


ALERTE AUX ARAIGNÉES!

ARAIGNÉE ET TOILE D'ARAIGNÉE
À L'INTÉRIEUR DU TUBE DU BRÛLEUR



Si vous remarquez que votre grill devient difficile à allumer ou que la flamme n'est pas aussi forte qu'elle devrait l'être, prenez le temps de vérifier et de nettoyer les brûleurs.



Dans certaines régions du pays, les araignées ou les petits insectes sont connus pour créer des soucis de « retour de flamme ». Les araignées tissent des toiles, construisent des nids et pondent leurs œufs dans le(s) tube(s) des brûleurs du grill, obstruant ainsi l'alimentation en gaz vers le brûleur. Le retour de gaz peut s'enflammer dans le brûleur, derrière le panneau de commande. Ceci est connu sous le nom de retour de flamme et peut endommager le grill et même provoquer des blessures. Pour éviter les retours de flamme et s'assurer d'une bonne performance, le brûleur doit être retiré du grill et nettoyé avant chaque utilisation après une période prolongée de non-utilisation.

Entreposage de votre grill

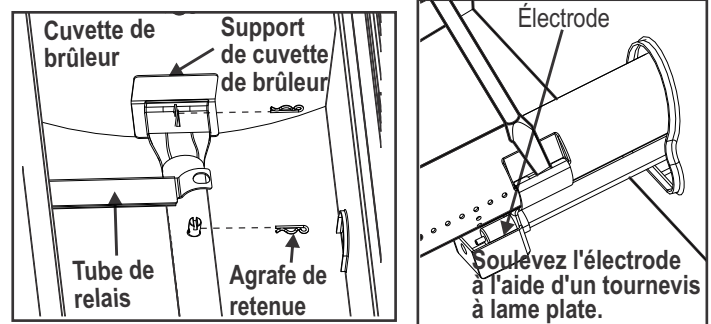
- Nettoyer les grilles de cuisson.
- Couvrir le grill s'il est entreposé à l'extérieur. Choisir une couverture offerte par le fabricant.


- Au moment du désentreposage, voir les consignes sur le « Nettoyage de l'ensemble brûleur » avant son utilisation.

Nettoyage de l'ensemble brûleur

Suivre ces consignes pour nettoyer et/ou remplacer les pièces de l'ensemble brûleur ou si vous avez des difficultés à allumer le grill.

1. **Fermer les boutons de commande du gaz et la source de gaz.**
2. Retirer les grilles de cuisson et les injecteurs.
3. Retirer les brides de fixation et les tubes de répartition à l'arrière des brûleurs.
4. Utiliser un tournevis à lame plate pour dégager l'électrode de chaque brûleur. L'électrode doit demeurer dans la cuve de brûleur.
5. Soulever délicatement chaque brûleur en s'éloignant des ouvertures du robinet.



6. Nous suggérons trois moyens pour nettoyer les tubes de brûleur. Utiliser la façon qui vous paraît la plus facile.
 - (A) Plier un fil rigide (un cintre léger fonctionne bien) en un petit crochet. « Faire passer le crochet dans chaque tube de brûleur à plusieurs reprises.
 - (B) Utiliser une brosse à bouteille étroite avec un manche flexible (ne pas utiliser de brosse en laiton), faire passer la brosse dans chaque tube de brûleur à plusieurs reprises.
 - (C) Porter des lunettes de protection : Utiliser un flexible d'air pour forcer l'air dans le tube du brûleur et les orifices du brûleur. Vérifier chaque orifice pour s'assurer que l'air sort par chaque orifice.
7. Faire passer une brosse métallique sur toute la surface extérieure du brûleur pour éliminer les résidus alimentaires et la saleté.
 8. Nettoyer tous les orifices obstrués avec un fil rigide comme un trombone ouvert.
 9. Vérifier le brûleur en cas de dommage, dû à l'usure normale et à la corrosion, car certains orifices pourront s'agrandir. S'il y a présence de fissures ou de perforations importantes, remplacer le brûleur.
 10. Refixer l'électrode au brûleur.
 11. Remettre délicatement les brûleurs. **TRÈS IMPORTANT :** Les tubes de brûleur doivent s'enclencher de nouveau dans l'ouverture du robinet.



Corrigez le raccord brûleur-à-valve.

12. Refixer les brûleurs aux supports à l'intérieur de la cuve du brûleur.
13. Repositionner les tubes de répartition, puis fixer de nouveau aux brûleurs.
14. Remettre les injecteurs et les grilles de cuisson.

PLANIFICATION DE L'EMPLACEMENT

Ce qui suit doit être considéré au moment de déterminer où placer votre nouveau grill intégré dans la construction de la cuisine en plein air. Il est préférable d'identifier l'emplacement de la cuisine avant de commencer toute mise en place.

Plan pour un accès facile à la maison compte tenu des conditions météorologiques comme la pluie ou la neige fréquentes qui rendrait plus commode d'avoir la cuisine située à proximité d'une porte d'entrée. Assurez-vous de laisser un espace pour se divertir autour des côtés de la cuisine car il deviendra un lieu de rassemblement lors d'événements en plein air. La ventilation est une clé pour la performance de la cuisine et de la fumée d'échappement doit être envisagée lors de l'identification d'un emplacement. Le grill fumera donc tenir compte de la direction des vents dominants et positionner la grille de sorte vent souffle vers l'avant de la grille pour déplacer la fumée loin et de fournir une ventilation adéquate. Ne placez pas le grill sous ou près des fenêtres qui peuvent être ouverts à votre maison comme la fumée entrera facilement.

Exigences en matière d'installation

S'assurer d'un bon débit d'air de combustion et de refroidissement.

Un débit d'air adéquat doit être maintenu pour le grill afin qu'il fonctionne de la façon prévue. Si le débit d'air est bloqué, une surchauffe et une piètre combustion en résulteront.



MISE EN GARDE



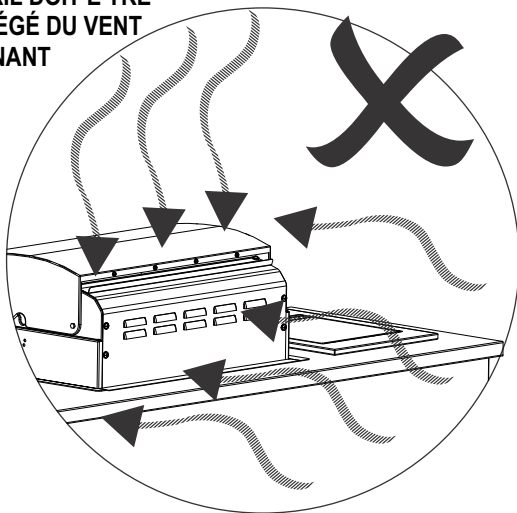
Si le vent souffle contre l'évent du couvercle du grill à l'arrière, le grill peut mal fonctionner ou surchauffer dangereusement.

Installation du grill en face d'un mur ou sous un surplomb peut diriger le vent vers le bas dans l'évent du couvercle de grille arrière créant la même condition et viole également les consignes de sécurité pour le placement de la grille (voir page 3).

Placez la cuisine extérieure de sorte que le vent dominant souffle contre l'avant du grill.

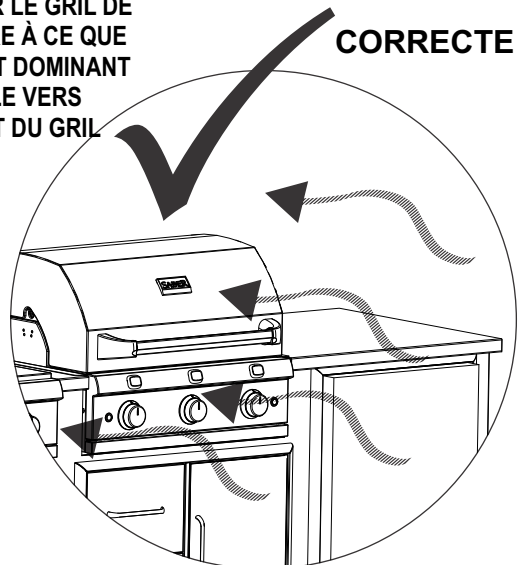
L'ÉVENT ARRIÈRE
DU GRILL DOIT ÊTRE
PROTÉGÉ DU VENT
DOMINANT

INCORRECTE

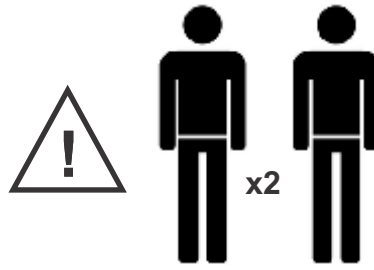


PLACER LE GRILL DE
MANIÈRE À CE QUE
LE VENT DOMINANT
SOUFFLE VERS
L'AVANT DU GRILL

CORRECTE

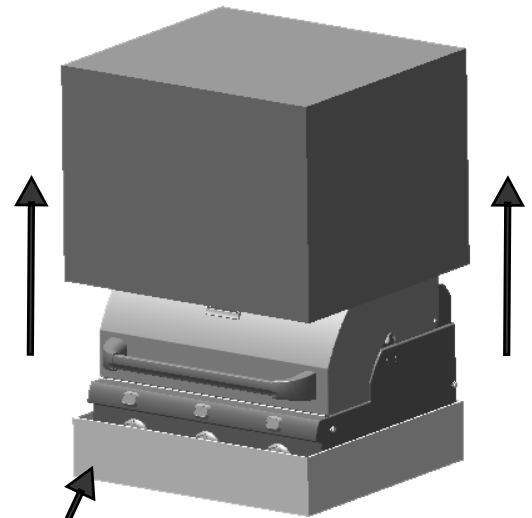
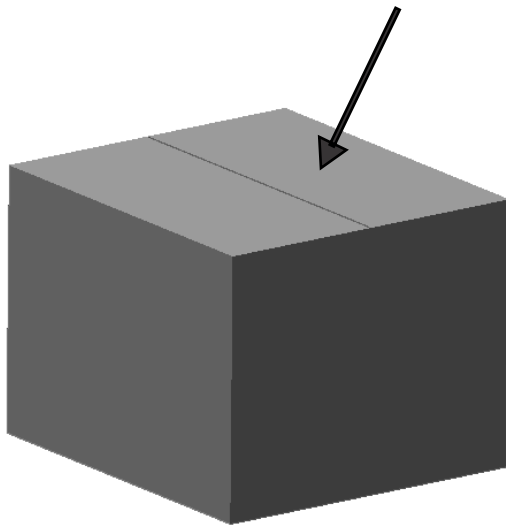


DÉBALLAGE

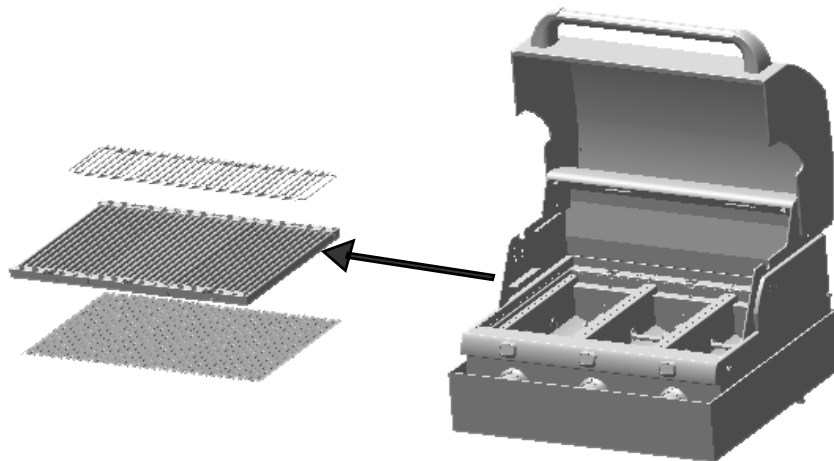


1. Placer le carton sur une surface plane propre.
2. Retirer le manchon supérieur en carton du plateau inférieur.
3. Ouvrir le couvercle du gril, puis retirer la grille de réchaud, les injecteurs, les grilles de cuisson, les brides de garniture et tous les cartons de l'intérieur du gril.

Manchon supérieur en carton

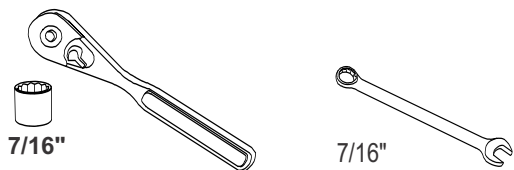


Plateau inférieur



ASSEMBLAGE DU GRIL

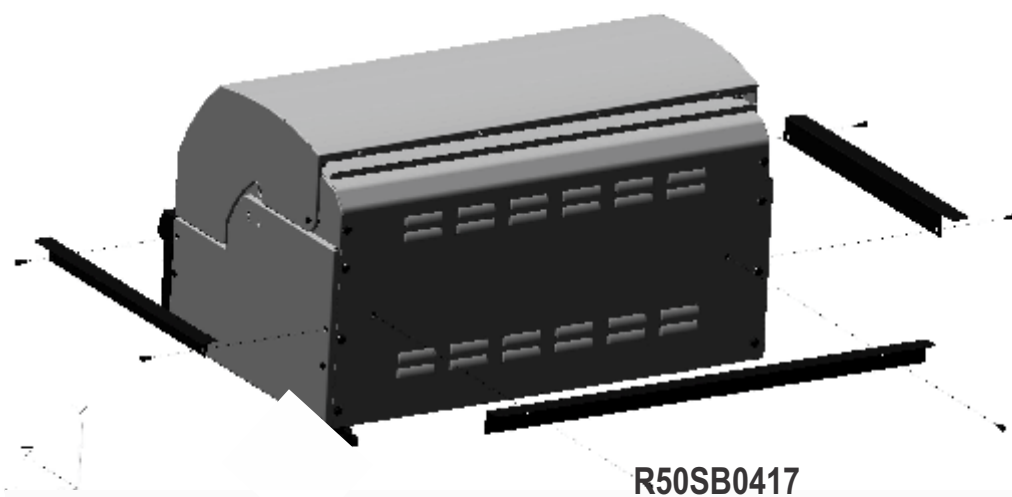
Outils suggérés



Quincaillerie nécessaire



1. À l'aide des boulons hexagonaux de 1/4 20 x 5/8, fixer les (3) brides de garniture au gril. Serrer solidement.





AVERTISSEMENT



POUR LA CONVERSION AU GAZ PL

- SEUL UN TECHNICIEN GAZIER CERTIFIÉ PEUT EFFECTUER LA CONVERSION AU GAZ DE PÉTROLE LIQUIFIÉ (GPL)
- La trousse de conversion pour le modèle A00AA5517 doit être utilisée. Les détails spécifiques pour la construction de l'enceinte sont inclus dans les consignes de la trousse de conversion.
- La construction d'une enceinte de ventilation supplémentaire s'avère nécessaire.
- Un support de fixation de la bouteille doit être ajouté à l'enceinte.

CONSIGNES D'INSTALLATION

Matériel inclus : Appareil de grill intégré

Matériel non inclus : Le matériel de construction de l'enceinte, les supports pour l'appareil intégré, les fixations pour les supports.

REMARQUE : L'ENCEINTE DOIT ÊTRE CONSTRUITE EN MATÉRIAU NON COMBUSTIBLE

1. Construction de l'enceinte:

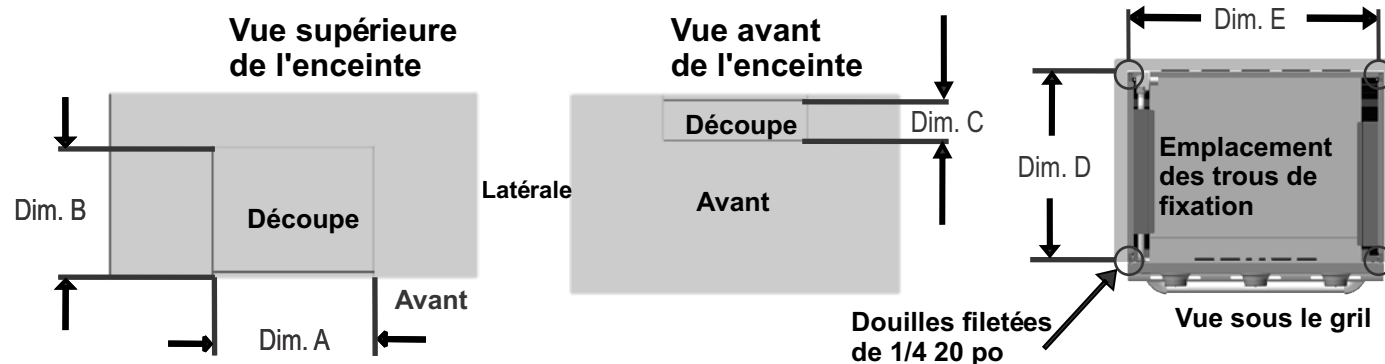
REMARQUE : Si ce grill doit être utilisé comme grill de remplacement dans une enceinte de grill existante, consultez votre entrepreneur local pour déterminer si le grill fonctionnera correctement avec l'enceinte existante.

Consulter le tableau ci-dessous pour les dimensions découpées de l'enceinte.

Les quatre douilles filetées de 1/4 20 po se trouvent au fond du grill à être utilisées pour fixer solidement le grill à l'enceinte (emplacement du trou de fixation de référence). Il est recommandé que vous n'utilisiez seulement des fixations de 1/4 20 po en acier inoxydable pour fixer solidement le grill à l'enceinte.

REMARQUE : La zone directement sous le grill doit être ouverte. Aucune surface solide.

MODÈLE DE GRILL	Dim. A	Dim. B	Dim. C	Dim. D	Dim. E
R50SB0417	71,8 cm	55,9 cm	22,9 cm	51,5 cm	68,6 cm
R67SB0317	93,9 cm	55,9 cm	22,9 cm	51,5 cm	90,5 cm



INSTALLATION (SUITE)

2. Module d'allumage électronique.

REMARQUE : Un électricien agréé doit faire l'installation du module d'allumage et toute extension ou modification au câblage.

Ce grill vient avec suffisamment de fil pour fixer le module d'allumage à l'emplacement indiqué à la Figure 1.

Le module d'allumage doit être monté de manière à ce que vous ayez un accès facile au compartiment de la pile au moment de son remplacement. Voir la Figure 2.

Raccorder les fils aux petits et grands connecteurs à l'arrière du module d'allumage. Voir la Figure 3.

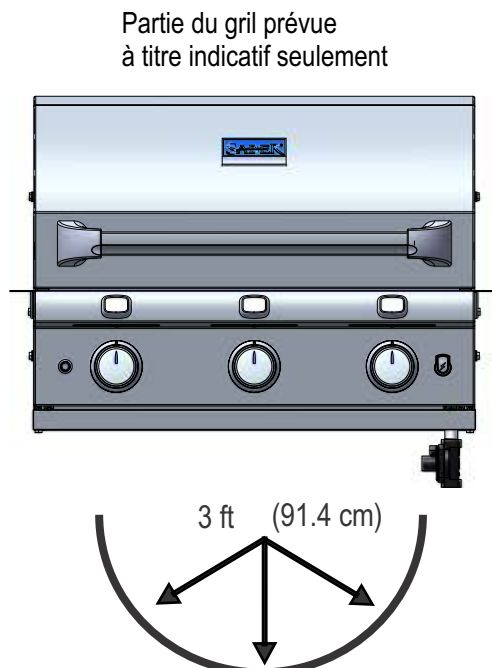


Figure 1

Module d'allumage et
écran thermique

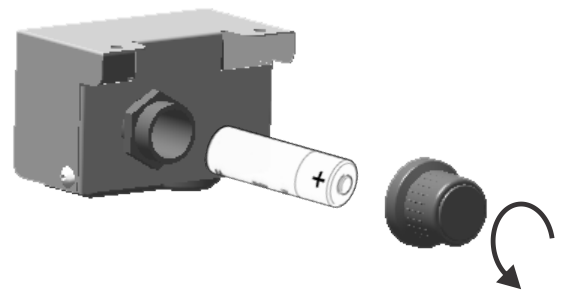


Figure 2

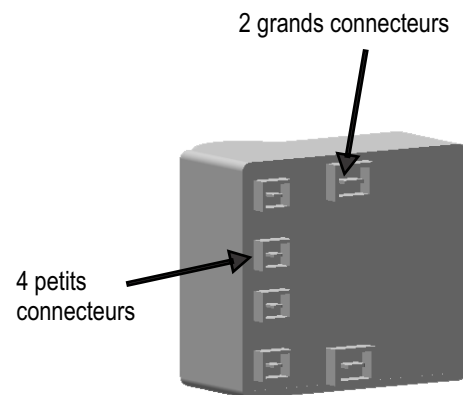
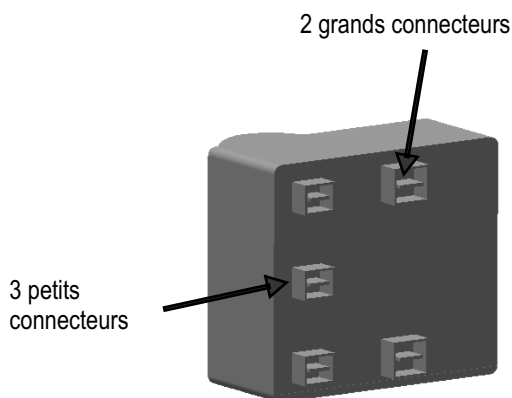


Figure 3

INSTALLATION (SUITE)

3. Transformateur électrique:

Fixations du transformateur non prévues.

REMARQUE : Un électricien agréé doit faire l'installation du transformateur et des rallonges de fil.

Un électricien agréé doit utiliser des fixations appropriées au type de matériau utilisé pour construire l'enceinte.

Ce gril vient avec suffisamment de fil pour fixer le transformateur électrique d'éclairage à l'emplacement indiqué à la Figure 4. Le transformateur électrique d'éclairage peut être fixé dans un emplacement différent en rallongeant les fils du transformateur sur le côté sortie basse tension du transformateur (voir la Figure 4). Les rallonges de fil ne sont pas prévues et doivent être faites d'un matériau d'une puissance nominale équivalente à celui des fils de sortie basse tension (voir la puissance nominale imprimée sur chaque fil). Pour la rallonge de fil, s'assurer de conserver les connexions prévues en usine pour raccorder les fils aux autres composants du gril. Le transformateur doit être correctement mis à la terre en utilisant le fil de mise à la terre fixé au transformateur. Une sortie de DFT correctement mise à la terre doit être installée à proximité du transformateur de manière à ce que la patte de mise à la terre sur les fils d'entrée haute tension se connecte facilement à la sortie du DFT. Ne pas tenter de rallonger les fils d'entrée haute tension.

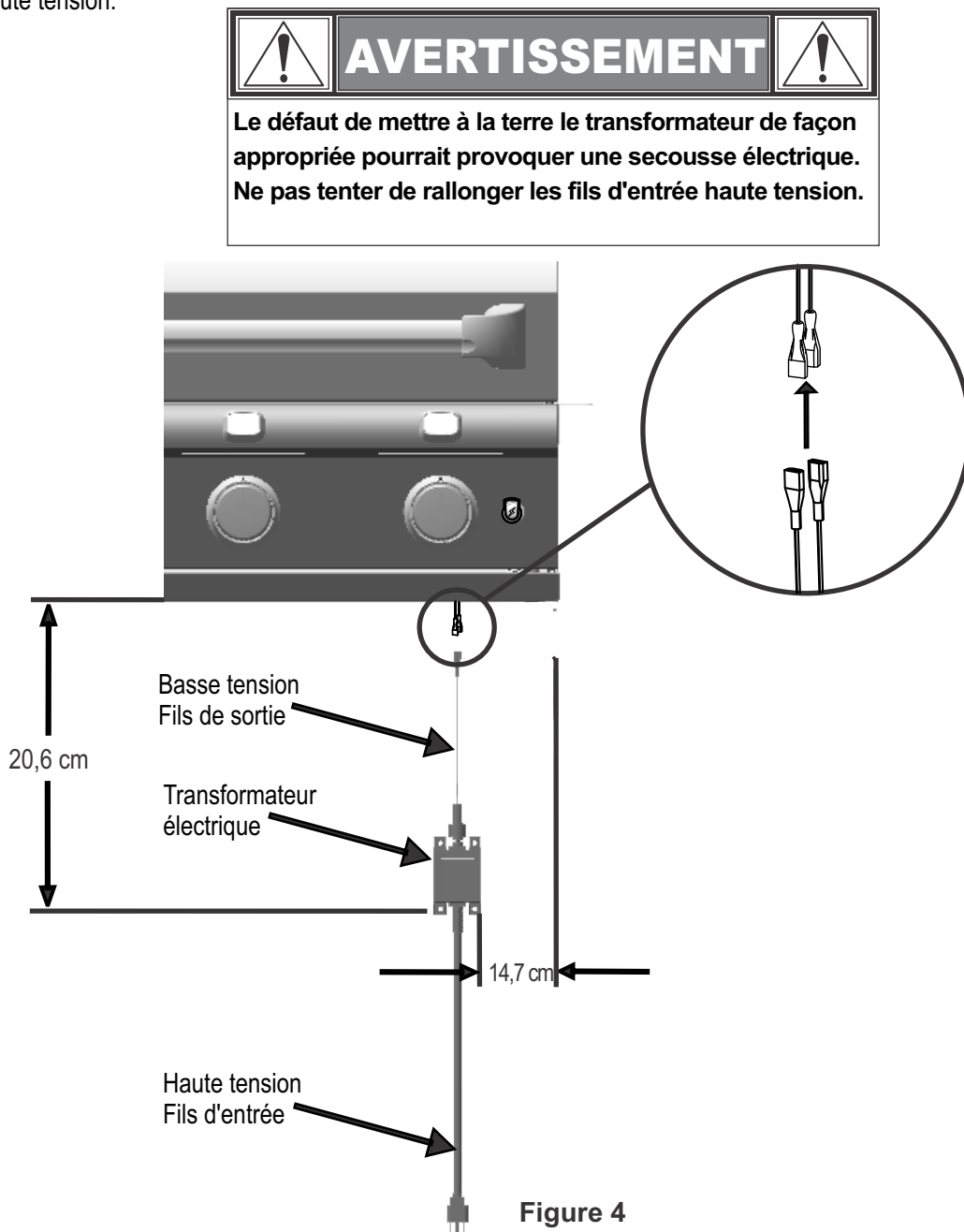


Figure 4

INSTALLATION (SUITE)



IMPORTANT

Avant la construction, confirmez auprès de votre concessionnaire si vous avez besoin d'un permis pour être conforme aux codes de l'État et de la région relatifs aux installations de gaz naturel.

Nous vous recommandons de faire appel à un technicien gazier certifié ou agréé pour effectuer tous les branchements du gaz naturel.

Pour que la puissance de chauffe du gril et du brûleur latéral soit appropriée, confirmez que la pression d'alimentation en gaz naturel de votre maison est suffisante pour maintenir une pression d'admission de 4,0 po CE à chaque appareil (mesurée en service). Il est préférable d'avoir pour la maison une pression d'alimentation en gaz naturel de 7 po \pm 1,5 po CE à l'entrée du régulateur de chaque appareil pour obtenir une pression de sortie de 4,0 po CE au régulateur de chaque appareil. Si le gril ou le brûleur latéral fonctionnent à une pression de gaz inférieure à 4,0 po CE, la cote BTU de chaque appareil diminuera, entraînant une puissance de chauffe médiocre. Une pression de gaz réduite peut également rendre l'appareil plus susceptible d'être éteint par le vent. Un technicien gazier certifié peut confirmer si la pression d'alimentation en gaz naturel de votre maison est acceptable.

Raccords de gaz naturel et régulateurs de service de plus de ½ lb/po².

Avant 1998, tous les régulateurs de service de gaz résidentiels étaient réglés à une pression de sortie de 7 pouces c.e. La version de 1998 du NFPA 54 (National Fuel Gas Code) a introduit un changement qui autorise l'utilisation de régulateurs de service de 2 et de 5 lb/po².

En raison de cette modification, un régulateur en ligne doit être installé entre le régulateur de service et le régulateur de l'appareil si un système de 2 ou de 5 lb/po² est utilisé. Ce régulateur supplémentaire n'est pas fourni avec le produit.

Il est possible qu'un consommateur en installant lui-même le raccord ou qu'un plombier, par mégarde, fasse la connexion à une conduite de gaz de 2 ou 5 lb/po².

Lorsque le régulateur de l'appareil est alimenté par une pression de plus de 2 lb/po², il se peut que, pour certains grils, le régulateur se ferme et ne fournisse pas de gaz à l'appareil. La prise à débranchement rapide et le tuyau ne sont homologués que pour une pression supérieure à ½ lb/po².

Si le gril est correctement raccordé mais qu'il n'y a toujours pas de débit de gaz, il faut vérifier la pression d'alimentation. Si la pression est supérieure à ½ lb/po², assurez-vous de la présence d'un régulateur en ligne.

Si le gril a été soumis à une pression d'alimentation trop élevée, il se peut que le régulateur ait été endommagé. La meilleure pratique consiste à remplacer le régulateur.



AVERTISSEMENT



Le modèle de barbecue R50SB0417 et le modèle R67SB0317 sont pour utilisation avec le gaz naturel. Les deux appareils sont conçus pour conversion en gaz LP également.

LA CONVERSION AU GAZ LP DOIT ÊTRE EFFECTUÉE PAR UN TECHNICIEN DE GAZ CERTIFIÉ.

Le kit de conversion LP modèle A00AA5517 doit être utilisé (vendu séparément).



MISE EN GARDE



Il faut débrancher la cuisine extérieure du système d'approvisionnement en gaz naturel pendant les essais de pression effectués à une pression supérieure à ½ lb/po² (3,5 kPa).

Il faut isoler la cuisine extérieure du système d'approvisionnement en gaz naturel en fermant toutes les valves d'arrêt pendant les essais de pression du système effectués à une pression égale ou inférieure à ½ lb/po² (3,5 kPa).

Ne branchez jamais le gril à un approvisionnement en gaz non réglementé.

4. Raccordement à la conduite d'alimentation en gaz naturel:

Étape 1 : Déterminer la taille correcte de l'arrivée de gaz naturel

Dans la plupart des cas, un diamètre de conduite de ½ po à ¾ po suffit à brancher votre cuisine extérieure au système d'approvisionnement en gaz naturel de votre maison. La taille correcte du tuyau dépend des facteurs suivants :

1. la longueur totale de la conduite d'alimentation en gaz naturel de votre maison;
2. le point de raccordement de votre cuisine extérieure au système d'approvisionnement en gaz naturel de votre maison par rapport à l'emplacement des appareils ménagers à gaz naturel que vous utilisez chez vous;
3. la distance souhaitée entre la cuisine extérieure et l'approvisionnement en gaz naturel de votre maison;
4. la cote BTU totale combinée de tous les appareils ménagers à gaz naturel qui se trouvent dans votre maison.

Un technicien certifié en gaz sera en mesure de recommander la taille et la longueur appropriées du tuyau de gaz pour relier votre cuisine à votre approvisionnement en gaz à la maison. Le taux de BTU du gril est 24 000 BTU / h pour le modèle R50SB0417 et 32 000 BTU / h pour le modèle R67SB0317.

Étape 2 : Pose de la valve d'arrêt manuelle

Nous vous recommandons d'installer à l'extérieur de l'enceinte de la cuisine une valve d'arrêt manuelle dont la taille convient au tuyau de votre arrivée de gaz. Cette valve offre un accès en toute sécurité pour couper l'alimentation en gaz naturel de la cuisine extérieure en cas d'urgence. L'arrière de l'enceinte de la cuisine, à proximité du passe-câble du panneau arrière, est un emplacement commode pour la valve de sécurité. Cela vous donne un accès facile pour brancher la conduite de gaz de l'enceinte à la valve de sécurité (voir l'image ci-après).

INSTALLATION (SUITE)

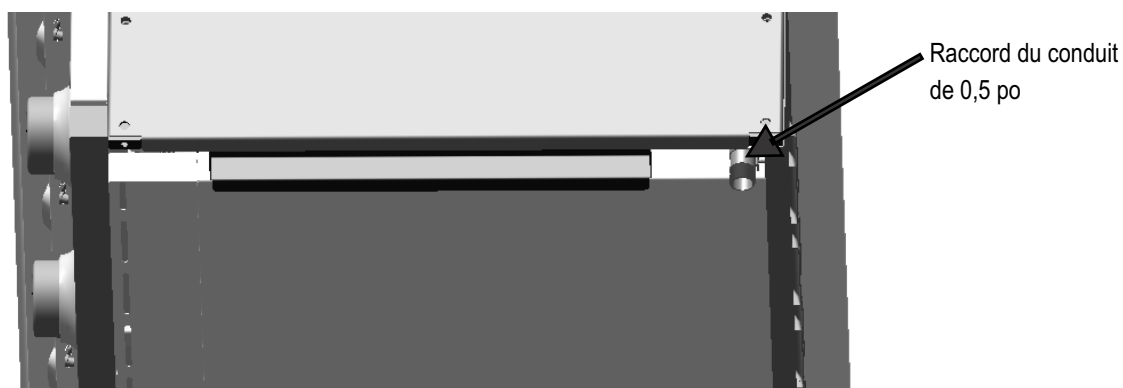
4. Raccordement à la conduite d'alimentation en gaz naturel (suite):

REMARQUE : Un plombier agréé doit faire l'installation de la conduite d'alimentation en gaz au grill.

La conduite d'alimentation en gaz à partir de votre maison devrait passer par le coin arrière droit du grill, à l'intérieur de l'enceinte du grill. Il est recommandé qu'un conduit rigide soit utilisé pour raccorder l'admission du détendeur de l'appareil au gaz naturel. Le déplacement constant des conduits de gaz flexibles pourrait en limiter l'endurance et provoquer une fuite de gaz. Si un conduit rigide n'est pas utilisé pour la conduite d'alimentation de la maison, toutes les conduites de gaz flexibles doivent comporter des supports de fixation dans l'enceinte pour en éviter le déplacement constant et en prolonger l'endurance.

Avant d'installer le grill dans l'enceinte :

1. Tourner la source de gaz à la position **OFF** (arrêt).
2. Retirer le capuchon protecteur en plastique du raccord du conduit de ½ po au coin inférieur arrière droit du grill (voir la Figure 5).



Vue latérale de la Figure 5

3. Appliquer une pâte à joint (non prévue) au raccord du conduit de ½ po. La pâte à joint utilisée doit être résistante à tous les gaz.
4. Raccorder le détendeur de l'appareil au gaz naturel (prévu) au raccord du conduit de ½ po en prenant soin de raccorder le côté sortie du détendeur au raccord du conduit (voir la Figure 6). Les côtés entrée et sortie du détendeur sont indiqués par des marques à l'arrière du corps du détendeur.

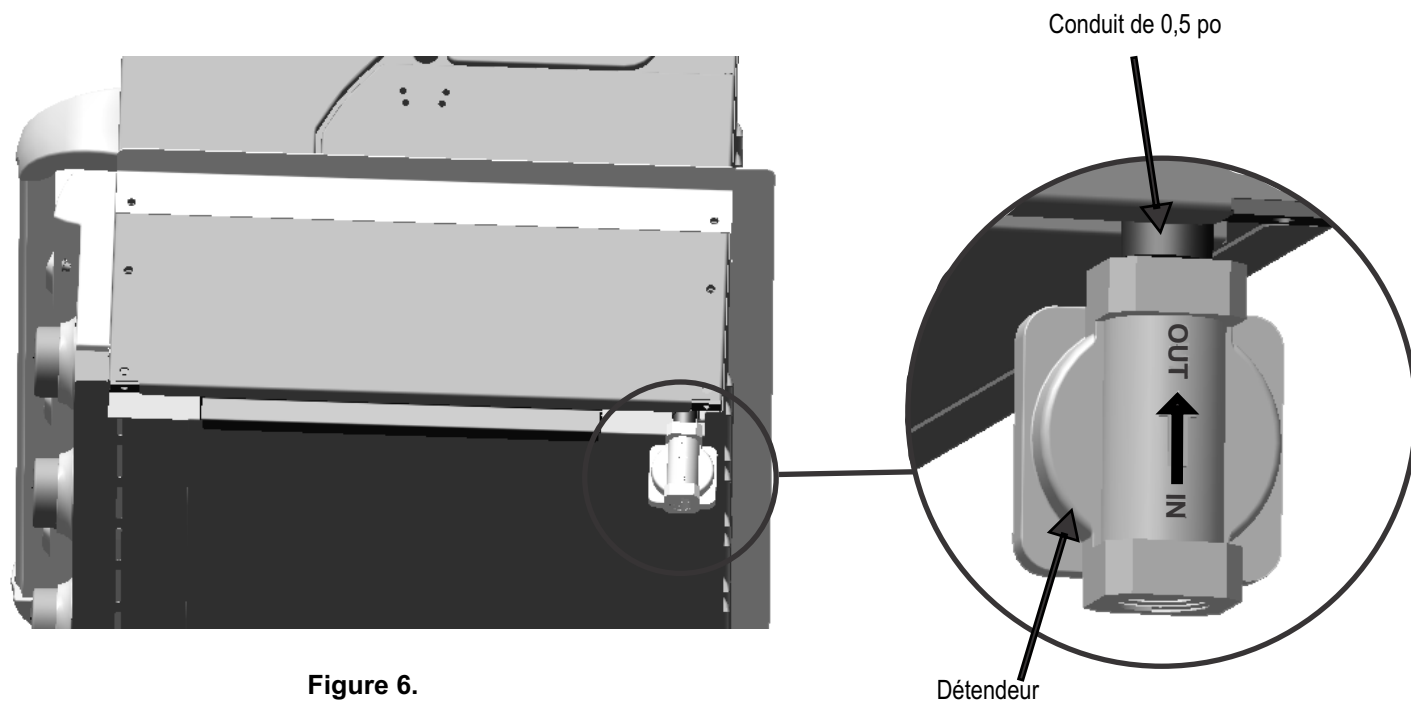
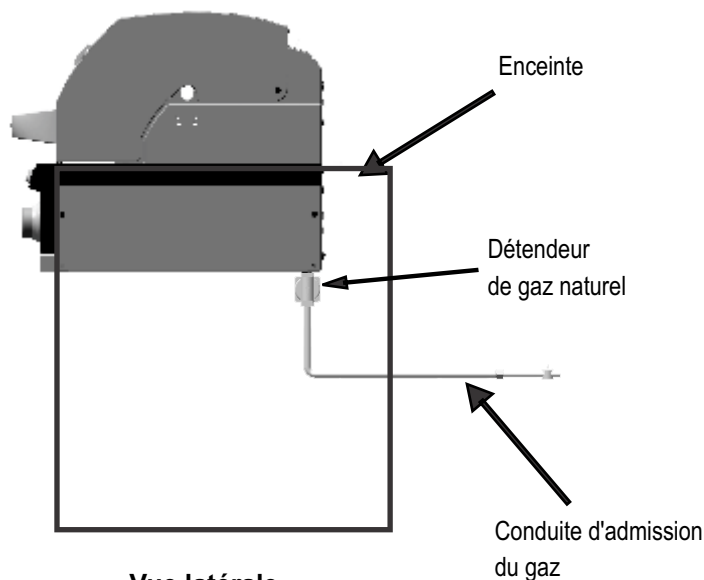


Figure 6.
Vue latérale

INSTALLATION (SUITE)

4. Raccordement à la conduite d'alimentation en gaz naturel (suite):

Au moment de l'installation de la conduite, s'assurer que le détendeur est tourné de manière à aligner l'arrière du corps du détendeur avec la paroi latérale droit du gril (voir la Figure 7). Ceci permettra d'assurer qu'il n'y a aucune d'interférence entre le détendeur et le support de fixation du gril, utilisé dans l'enceinte.



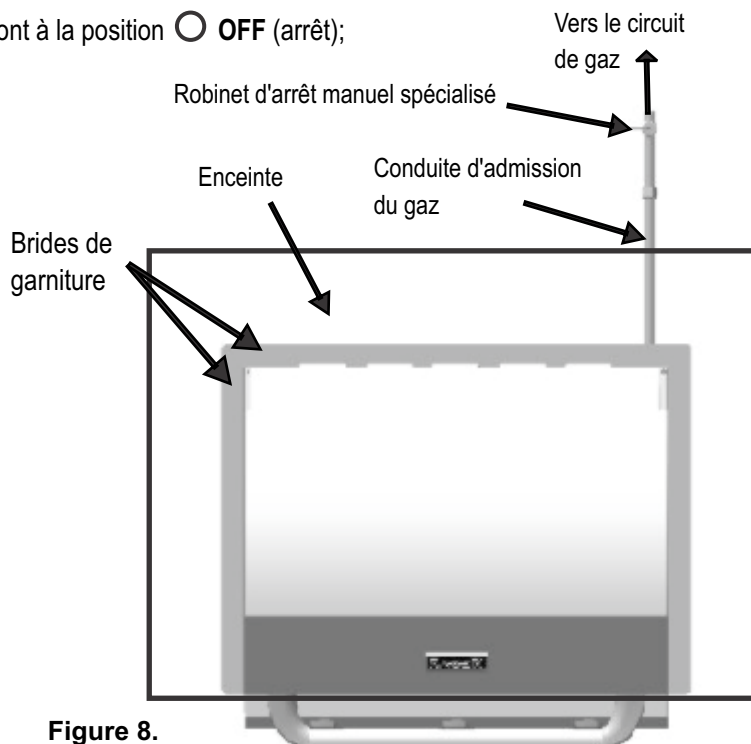
**Vue latérale
de la Figure 7**

5. Le gril est maintenant prêt à être installé dans l'enceinte. Éviter d'endommager le détendeur pendant l'installation. Deux personnes sont nécessaires pour soulever le gril et le placer dans l'enceinte.

Avant d'installer le gril dans l'enceinte :

1. Raccorder la ligne d'alimentation en gaz de la maison sur le côté admission du détendeur de l'appareil au gaz naturel en suivant les méthodes de raccordement recommandées ci-dessus. Appliquer la pâte à joint (non prévue) à la conduite d'admission avant de la raccorder au détendeur;
2. confirmer que tous les boutons de commande du gril sont à la position **OFF** (arrêt);
3. ouvrir la source de gaz de la maison;
4. passer à l'Étape 5, Essais de fuite.

REMARQUE : Il est recommandé qu'un robinet d'arrêt manuel soit installé à l'extérieur de l'enceinte du gril (voir la Figure 8).

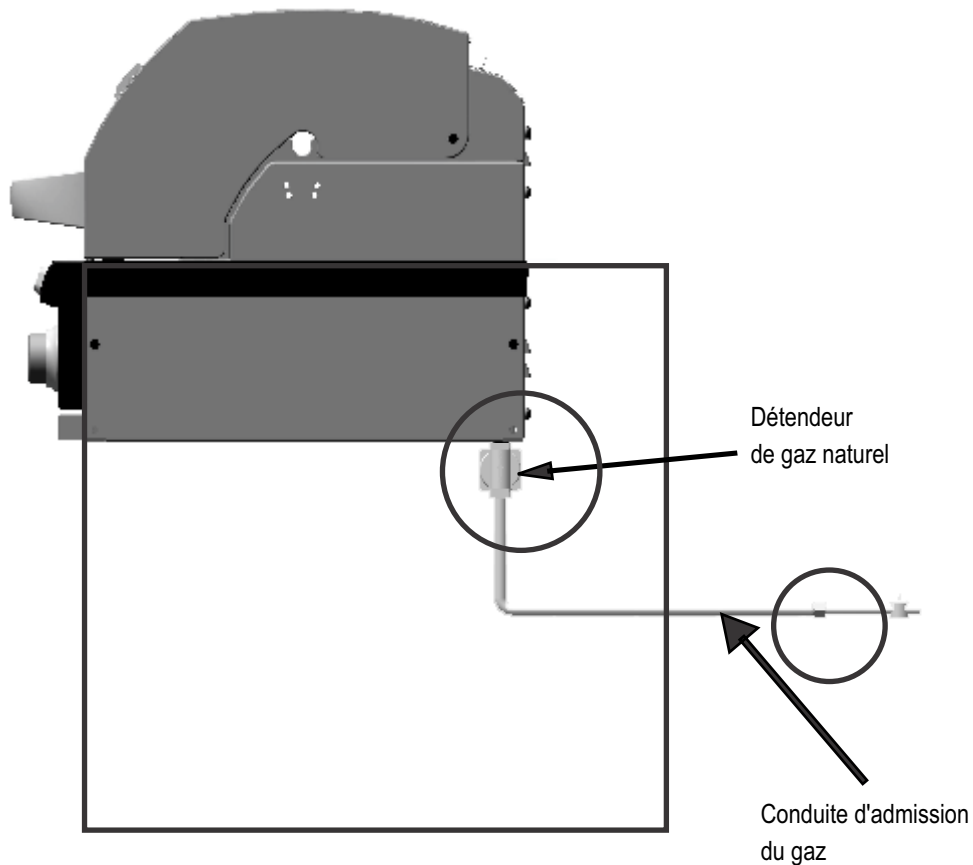


**Figure 8.
Vue du haut**

INSTALLATION (SUITE)

5. Essais de fuite:

1. Tourner tous les boutons de commande du gril à la position **OFF** (arrêt).
2. Ouvrir la source de gaz de la maison.
3. Utiliser un pinceau propre et une solution d'eau et de savon doux à 50/50. Étendre la solution savonneuse au pinceau sur les zones indiquées (voir la Figure 9).
4. Si des bulles « grandissent », c'est qu'il y a fuite. Fermer l'alimentation en gaz principale, puis resserrer toutes les conduites. Si les fuites ne peuvent être arrêtées, ne pas essayer de réparer. Communiquer avec un plombier pour corriger la situation.
5. L'appareil et son robinet d'arrêt doivent être retirés du circuit d'alimentation en gaz pendant les essais de pression du circuit à des pressions supérieures à 1/2 psi (3,5 kPa).
6. L'appareil doit être isolé du circuit d'alimentation en gaz en fermant son robinet d'arrêt manuel pendant les essais de pression du circuit d'alimentation en gaz à des pressions égales ou inférieures à 1/2 psi (3,5 kPa).



**Vue latérale
de la Figure 9**

CONSIGNES DE FONCTIONNEMENT DE L'ÉCLAIRAGE



AVERTISSEMENT



Ne pas laisser le cordon d'alimentation électrique pendre sur le bord d'une table ou toucher une surface chauffée.

Utiliser une rallonge électrique la plus courte possible.

Ne pas raccorder deux ou plusieurs rallonges ensemble.

Pour se protéger des secousses électriques, ne pas immerger le cordon, la fiche dans l'eau ou autre liquide.

Débrancher l'appareil de la prise murale lorsque l'appareil n'est pas utilisé et au moment du nettoyage. Laisser refroidir avant de mettre ou de retirer des pièces.

**Ne pas faire fonctionner le gril avec un cordon, une fiche endommagé(e) ou après que l'appareil a mal fonctionné ou qu'il a été endommagé de quelque façon.
Communiquer avec le fabricant pour le faire réparer.**

Ne pas utiliser un appareil de cuisson au gaz à l'extérieur à des fins autres celles pour lesquelles il a été prévu.

Brancher d'abord la fiche à l'appareil de cuisson au gaz extérieur, puis la fiche de l'appareil dans la prise de courant.

Ne jamais retirer la fiche de mise à la terre ou utiliser un adaptateur 2 broches.

Utiliser des rallonges avec une fiche à 3 broches mise à la terre, d'une puissance nominale appropriée à l'alimentation de l'équipement et approuvée pour une utilisation en extérieur avec un marquage W-A.



IMPORTANT



Depuis 1971, le Code national de l'électricité (NEC) exige des dispositifs disjoncteurs de fuite à la terre sur tous les circuits à l'extérieur.

Si votre résidence a été construite avant 1971, vérifiez auprès d'un électricien agréé si un disjoncteur de fuite à la terre (DDFT) comme dispositif de protection est installé.

Ne pas utiliser le présent appareil si le circuit n'a pas de DDFT comme dispositif de protection.

Ne pas brancher le présent appareil dans un circuit à l'intérieur.

Fonctionnement de l'éclairage

1. S'assurer que l'interrupteur de lumière sur le panneau de commande est à la position « **OFF** » (arrêt). Le bouton devrait être à plat avec le bord.



POSITION OFF (ARRÊT)

2. Brancher la fiche d'éclairage à une sortie du DDFT. Section de référence 3, Transformateur électrique, dans les consignes d'installation pour l'emplacement recommandé de la sortie du DDFT.
3. Mettre l'interrupteur d'éclairage à la position « **ON** » (marche) en appuyant sur le bouton. Mettre à la position « **OFF** » (arrêt) en appuyant de nouveau sur le bouton.



POSITION ON (MARCHE)

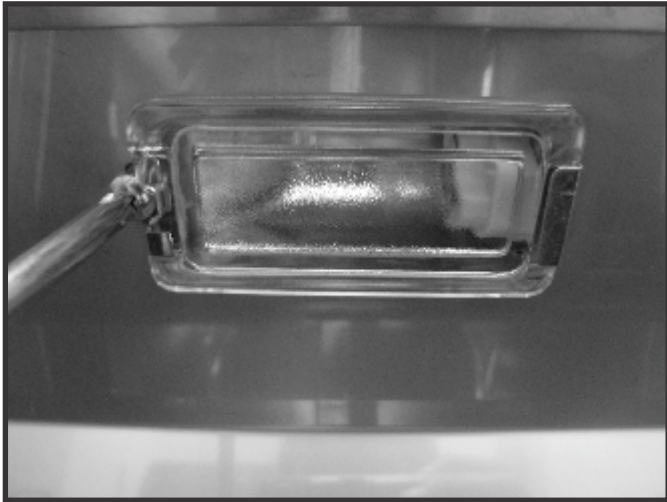
Remplacement de l'ampoule

Remarque : Assurez-vous que le commutateur d'éclairage du panneau de commande est en **position d'arrêt** et QUE la fiche d'adaptateur est débranchée de la prise.

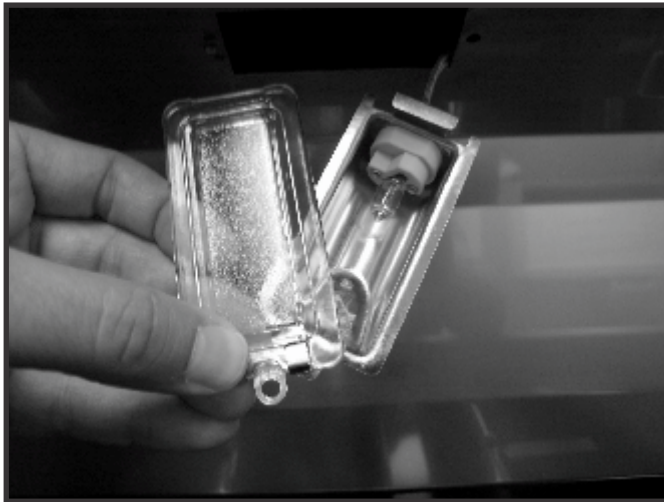
Spécification relative à l'ampoule de remplacement standard :

Type d'ampoule :	halogène	Peut être achetée dans
Puissance :	10 W par ampoule	une quincaillerie locale
Tension :	12 V	

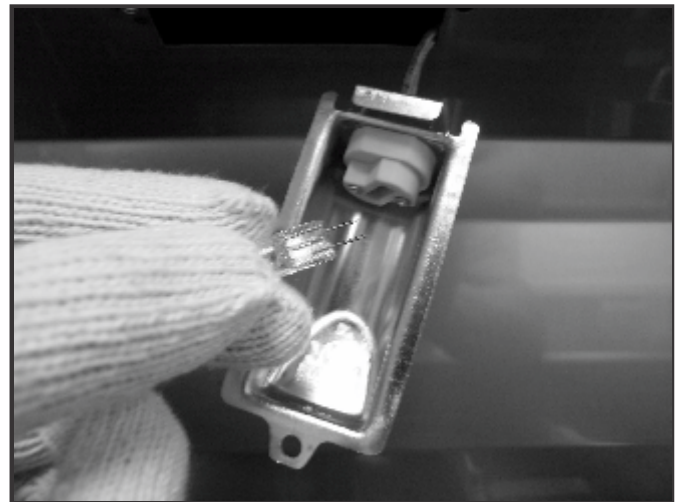
1. Dévissez la vis retenant la douille d'éclairage.



2. Retirez la douille, puis la lentille.



3. Extrayez l'ampoule et remplacez-la par une ampoule neuve.



	IMPORTANT	
<p>Prenez garde de ne pas toucher l'ampoule à mains nues. Le contact de la peau avec l'ampoule peut laisser un film qui fera brûler l'ampoule plus rapidement.</p>		

4. Reprenez les directives dans l'ordre inverse, de l'étape 2 à l'étape 1, pour réinstaller la douille.

Nettoyage de la lentille

1. Avant le nettoyage, assurez-vous que le commutateur d'éclairage est en **position d'arrêt** et que la fiche d'éclairage est débranchée de la source d'alimentation.
2. Ne nettoyez pas une lentille en verre chaude. Laissez-la refroidir avant le nettoyage. Des changements soudains de température peuvent fissurer la lentille en verre.
3. Utilisez un chiffon humide pour nettoyer la surface de la lentille en verre.
4. Laissez la lentille sécher avant de rebrancher la fiche d'éclairage à l'alimentation et appuyez sur le commutateur d'allumage pour le mettre en **position de marche**.

Article	Modalité de garantie
Pièces en acier inoxydable	
Couvercles et garnitures de couvercles	Garantie à vie limitée
Foyer et panneaux de chariot	Garantie à vie limitée
Tubes de brûleur et tubes de relais	10 ans
Grilles de cuisson, émetteurs, supports-réchauds	5 ans, contre les perforations dues à la rouille ou aux brûlures
Pièces faites d'émail de porcelaine	
Garniture de couvercles	Garantie à vie limitée (excluant la décoloration)
Intérieur du foyer	Garantie à vie limitée contre les perforations dues à la rouille ou aux brûlures (excluant la décoloration)
Grilles-réchaud, grilles de cuisson, cuvettes de brûleur	5 ans contre les perforations dues à la rouille ou aux brûlures (excluant la décoloration)
Pièces peintes	2 ans (excluant la décoloration)
Toutes les autres pièces	2 ans

GARANTIE LIMITÉE À VIE :

Saber garantit que les pièces en acier inoxydable (couvercle, garnitures de couvercle, foyer extérieur et panneaux du chariot) sont exemptes de vices de fabrication et de main-d'œuvre dans le cadre d'une utilisation résidentielle normale pendant toute la durée de vie du produit.

La garantie limitée à vie de Saber couvre l'intégrité structurelle du couvercle, des garnitures du couvercle, du foyer extérieur et des panneaux de chariot. Si une détérioration structurelle survient et qu'elle altère le rendement du produit, la(les) pièce(s) sera(seront) remplacée(s), sans frais, et remise au client pour être installée. Les coûts associés à l'installation des pièces de remplacement ne sont pas couverts par la garantie à vie limitée et le propriétaire en est le seul responsable.

Cette garantie exclut la décoloration, les éraflures superficielles, les taches occasionnées par les intempéries et les polluants atmosphériques, les taches de rouille mineures et l'oxydation qui sont des conditions normales auxquelles il faut s'attendre lorsqu'un produit est utilisé à l'extérieur.

GARANTIE LIMITÉE DE DIX ANS : Saber garantit que les tubes de brûleur en acier inoxydable et les tubes de relais sont exemptes de défauts de fabrication et de main-d'œuvre dans le cadre d'une utilisation résidentielle normale pour une période de dix (10) ans à compter de la date originale de l'achat. La pièce sera remplacée, sans frais.

GARANTIE LIMITÉE DE CINQ ANS : Saber garantit que les grilles de cuisson en acier inoxydable, les émetteurs, les grilles-réchauds, les grilles-réchauds faites d'émail de porcelaine, les grilles et les cuvettes de brûleur sont exemptes de vices de fabrication et de main-d'œuvre dans le cadre d'une utilisation résidentielle normale pour une période de cinq (5) ans à compter de la date originale de l'achat. La pièce sera remplacée, sans frais.

GARANTIE COMPLÈTE DE DEUX ANS : Saber garantit que toutes les pièces peintes et toutes les autres pièces qui ne sont pas expressément citées ci-dessus sont exemptes de vices de fabrication et de main-d'œuvre dans le cadre d'une utilisation résidentielle normale pendant une période de deux (2) ans à compter de la date originale de l'achat. Saber remplacera la pièce défectueuse ou jugée défectueuse durant la période de garantie, sans frais à l'acheteur d'origine.

Il revient au propriétaire d'installer correctement le produit, de fournir un entretien normal et de fournir une preuve d'achat sur demande.

Saber se réserve le droit, AVANT d'expédier les pièces de remplacement au titre de garantie, d'exiger que la pièce défectueuse lui soit retournée à des fins d'inspection et d'analyse. Les pièces demandées doivent être retournées à Saber avec frais de transport prépayés par le client.

LIMITES ET EXCLUSIONS DE LA GARANTIE

Cette garantie exclut les appareils achetés pour tout type d'utilisation commerciale ou communautaire dans des emplacements comme des restaurants, des hôtels, des établissements de restauration, des édifices à logement ou à condominiums, des immeubles locatifs et des produits dont le numéro de série a été modifié ou déposé.

La présente garantie ne couvre QUE les produits achetés et situés dans le territoire occidental des **États-Unis** et au **Canada**.

Pour obtenir un service au titre de garantie ou des pièces de rechange :

Avant de communiquer avec votre concessionnaire ou de nous téléphoner directement, veuillez vous assurer que votre gril est enregistré. Vous pouvez enregistrer votre gril à : <http://www.sabergrills.com/registration>.

Téléphonez à votre détaillant Saber autorisé. Une liste des détaillants Saber et leurs coordonnées se trouvent à l'adresse <http://www.sabergrills.com>.

Utilisez notre service à la clientèle en ligne à l'adresse <http://www.sabergrills.com/warranty service>.

Téléphonez directement à Saber au numéro 1-(888)-94S-ABER (947-2237). Nous nous faisons un plaisir de vous aider!

Ou écrivez à :

Saber®
Service sous garantie
P. O. Box 1977
Columbus, GA. 31902

Soyez prêt à fournir l'information suivante : le nom de l'acheteur, le modèle et le numéro de série du gril, la date d'achat et la description précise du problème.

Date d'achat :	
Détaillant où vous avez acheté votre gril :	
Numéro de téléphone du détaillant :	
Numéro de modèle : <i>(Situé sur la page couverture du guide d'utilisation ou l'étiquette indiquant la puissance nominale)</i>	
Numéro de série : <i>(Situé sur la page couverture du guide d'utilisation ou l'étiquette indiquant la puissance nominale)</i>	

La garantie entre en vigueur à la date d'origine de l'achat. Une preuve de la date d'achat est requise pour se prévaloir de la garantie. Veuillez enregistrer votre produit et conserver le reçu original.

Pour activer la garantie, il faut toutefois nous faire parvenir la carte d'enregistrement de la garantie ci-jointe ou enregistrer votre produit en ligne.

Cette garantie s'applique seulement au propriétaire d'origine du gril et ne peut pas/ne sera pas transférée.

Cette garantie ne couvre pas les dommages résultant de la négligence, d'une altération, d'une mauvaise utilisation, d'un abus, d'un accident, d'une catastrophe naturelle, d'un défaut d'alimentation électrique au produit pour quelque raison que ce soit, d'une installation ou d'une utilisation inadéquates, de l'exécution de réglages ou d'étalonnages non autorisés, des enfoncements, des bosses, des égratignures ou des dommages attribuables à l'utilisation de produits de nettoyage chimiques puissants.

Saber ne pourra être tenue responsable de tout dommage accessoire, consécutif, spécial ou contingent résultant d'un manquement à la présente garantie écrite ou de toute garantie implicite.

Dans l'éventualité d'un remplacement au titre de garantie, toutes les opérations de dépose, de remplacement et d'installation sont la responsabilité du propriétaire du gril.

Saber se réserve le droit de remplacer tout produit défectueux par un produit d'une valeur égale au prix d'achat d'origine. La garantie de réparation ou de remplacement demeure à la discrétion unique de Saber.

Les détaillants et les distributeurs ne peuvent en aucun cas adapter, modifier ou prolonger les conditions et les modalités de la garantie d'origine.

La garantie de Saber ne couvre pas les situations suivantes :

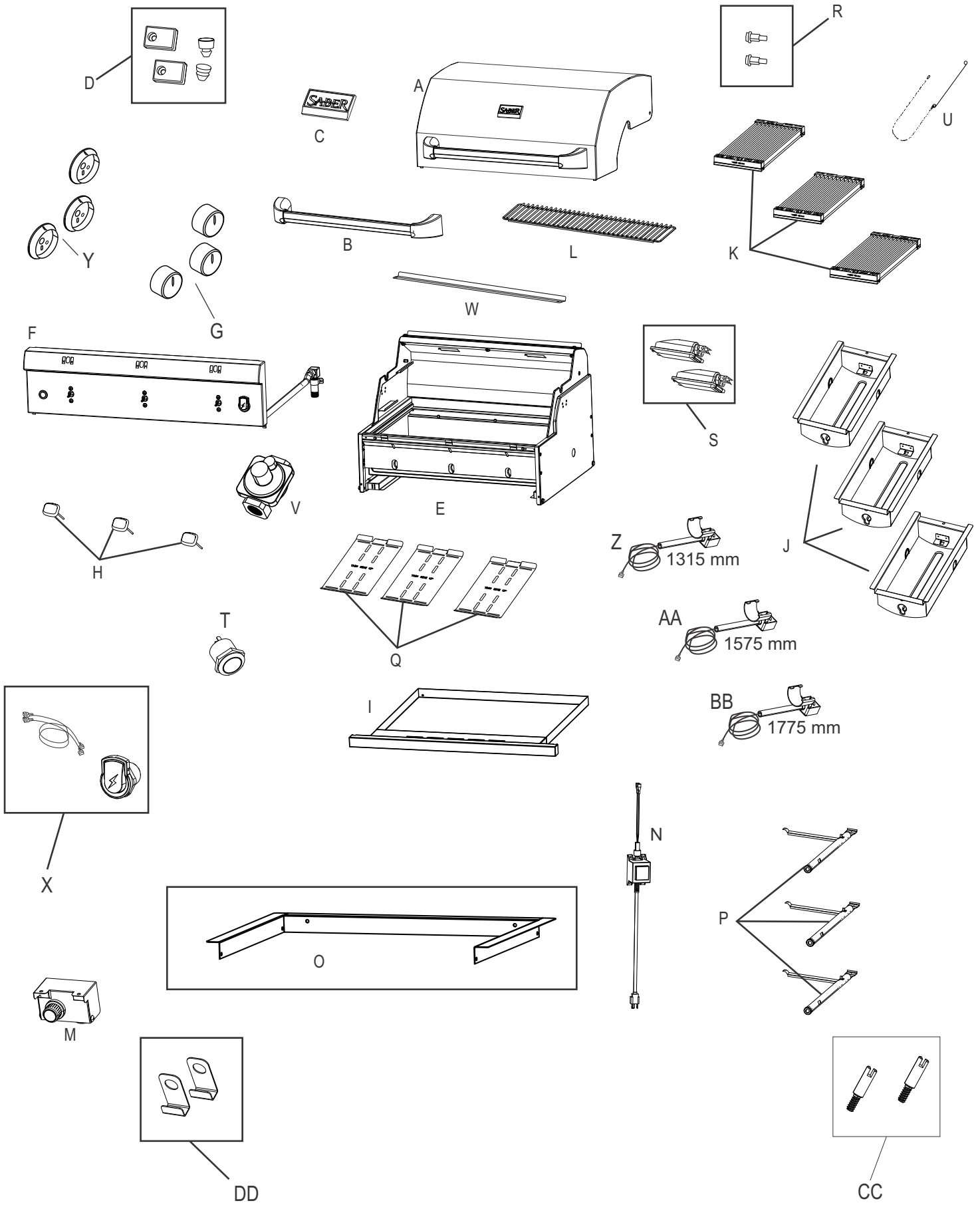
- Les frais de main-d'œuvre liés à l'installation ou au montage, au diagnostic du problème ou aux réparations.
- L'entretien de routine normal recommandé.
- Les dommages résultant d'un accident, d'une modification, d'une mauvaise utilisation, d'un abus, d'environnements hostiles, d'une installation inadéquate ou d'une installation qui ne respecte pas les codes et règlements locaux, provinciaux et fédéraux.
- L'utilisation de pièces « universelles » ou non autorisées.
- Des dommages ou de la corrosion causés par un manque d'entretien ou l'omission de suivre les directives d'utilisation et d'entretien émises par le fabricant, les feux de friture, les animaux ou les insectes.
- Tout dommage résultant d'une utilisation commerciale ou communautaire de ce produit.
- Les modèles en démonstration dans les magasins sont généralement vendus « TELS QUELS ». Si vous avez acheté un modèle de démonstration, veuillez prendre note qu'il est vendu « TEL QUEL » et régi par les exclusions de garantie ci-dessous :
 - Tout dommage extérieur ou cosmétique n'est pas couvert par la présente garantie.
 - Toute pièce manquante sera remplacée aux frais du client uniquement.

STIPULATION D'EXONÉRATION DE GARANTIES IMPLICITES ET LIMITATIONS DES RECOURS

LA RÉPARATION OU LE REMPLACEMENT D'UNE PIÈCE DÉFECTUEUSE CONSTITUE LE SEUL RECOURS DU CLIENT EN VERTU DES MODALITÉS DE LA PRÉSENTE GARANTIE LIMITÉE. LES GARANTIES IMPLICITES, INCLUANT DES GARANTIES DE QUALITÉ MARCHANDE OU D'ADAPTATION À UN USAGE PARTICULIER, SONT EXCLUES OU LIMITÉES À UN AN OU À LA PÉRIODE LA PLUS COURTE PRÉVUE PAR LA LOI. SABER NE SAURAIT ÊTRE TENUE RESPONSABLE DE DOMMAGES ACCESSOIRES OU CONSÉCUTIFS. CERTAINS ÉTATS OU PROVINCES N'AUTORISENT PAS LES EXCLUSIONS OU LES RESTRICTIONS DE DOMMAGES ACCESSOIRES OU CONSÉCUTIFS OU DE RESTRICTIONS QUANT À LA DURÉE DE LA GARANTIE IMPLICITE DE QUALITÉ MARCHANDE OU D'ADAPTATION À UN USAGE PARTICULIER DE SORTE QU'IL EST POSSIBLE QUE CERTAINES RESTRICTIONS OU EXCLUSIONS NE S'APPLIQUENT PAS À VOUS. LA PRÉSENTE GARANTIE VOUS CONFÈRE DES DROITS JURIDIQUES SPÉCIFIQUES. IL EST POSSIBLE QUE VOUS DISPOSIEZ D'AUTRES DROITS QUI PEUVENT VARIER D'UN ÉTAT OU D'UNE PROVINCE À L'AUTRE.

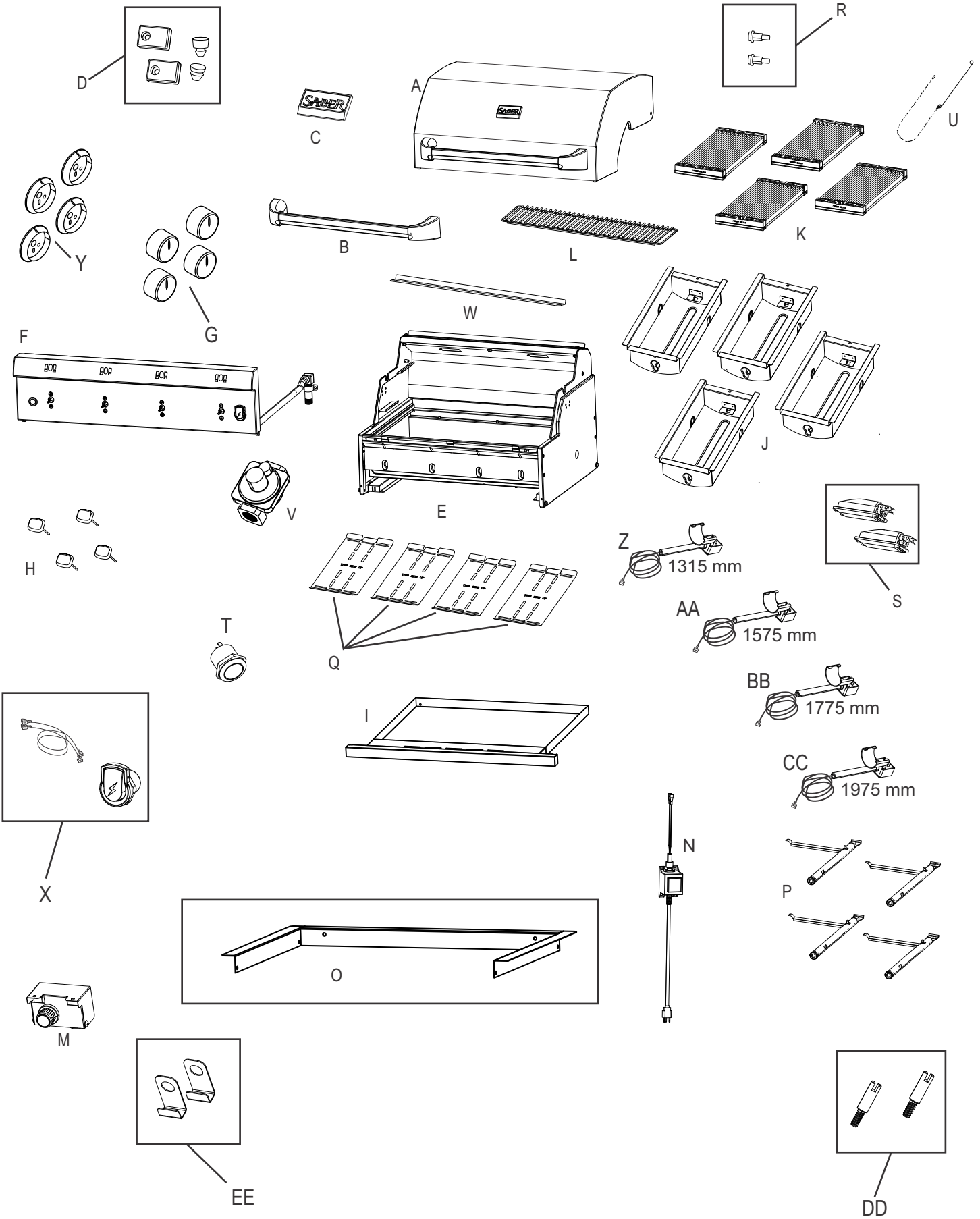
Légende	Qtá.	Description
A	1	TROUSSE, ensemble couvercle
B	1	TROUSSE, poignée du couvercle
C	1	TROUSSE, plaque du logo
D	1	TROUSSE, Lid Bumpers (JEU de 4)
E	1	TROUSSE, ensemble chambre de combustion
F	1	TROUSSE, console de commande avec ensemble robinet et commutateurs
G	3	Bouton de contrôle
H	3	Indicateur de température, montage complet avec bride
I	1	Ensemble plateau de récupération des graisses
J	3	TROUSSE, cuve avec brûleur
K	3	TROUSSE, grille de cuisson avec éjecteur
L	1	Grille de réchaud
M	1	TROUSSE, module d'allumage
N	1	TROUSSE, transformateur, pour éclairage halogène de gril
O	1	TROUSSE, brides de garniture, (JEU de 3)
P	3	TROUSSE, brûleur avec tube de répartition
Q	3	TROUSSE, bouclier thermique de la chambre de combustion
R	1	TROUSSE, boulon à épaulement du couvercle, (JEU de 2)
S	1	TROUSSE, lampe, pour éclairage halogène de gril (JEU de 2)
T	1	TROUSSE, interrupteur, lampe halogene du gril
U	1	Porte-allumette, avec chaîne
V	1	Détendeur de l'appareil au gaz naturel
W	1	NÉCESSAIRE, Déflecteur
X	1	NÉCESSAIRE, Module Commutateur d'allumage, avec des fils
Y	3	TROUSSE, Balai pour bouton de contrôle
Z	1	Électrode avec fil d'allumage, 1315 mm
AA	1	Électrode avec fil d'allumage, 1575 mm
BB	1	Électrode avec fil d'allumage, 1775 mm
CC	2	Goupille d'arrêt pour gaz naturel (JEU de 2)
DD	1	TROUSSE, supports de tige de rôtissoire, (JEU de 2)
Non illustré		
...	1	Trousse de quincaillerie
...	1	Outil de nettoyage des grilles
...	1	Guide de produit, anglais, espagnol, français

R50SB0417 PIÈCES SCHÉMA







Légende	Qtá.	Description
A	1	TROUSSE, ensemble couvercle
B	1	TROUSSE, poignée du couvercle
C	1	TROUSSE, plaque du logo
D	1	TROUSSE, Lid Bumpers (JEU de 4)
E	1	TROUSSE, ensemble chambre de combustion
F	1	TROUSSE, console de commande avec ensemble robinet et commutateurs
G	4	Bouton de contrôle
H	4	Indicateur de température, montage complet avec bride
I	1	Ensemble plateau de récupération des graisses
J	4	TROUSSE, cuve avec brûleur
K	4	TROUSSE, grille de cuisson avec éjecteur
L	1	Grille de réchaud
M	1	TROUSSE, module d'allumage
N	1	TROUSSE, transformateur, pour éclairage halogène de gril
O	1	TROUSSE, brides de garniture, (JEU de 3)
P	4	TROUSSE, brûleur avec tube de répartition
Q	4	TROUSSE, bouclier thermique de la chambre de combustion
R	1	TROUSSE, boulon à épaulement du couvercle, (JEU de 2)
S	1	TROUSSE, lampe, pour éclairage halogène de gril (JEU de 2)
T	1	TROUSSE, interrupteur, lampe halogene du gril
U	1	Porte-allumette, avec chaîne
V	1	Détendeur de l'appareil au gaz naturel
W	1	NÉCESSAIRE, Déflecteur
X	1	NÉCESSAIRE, Module Commutateur d'allumage, avec des fils
Y	4	TROUSSE, Balai pour bouton de contrôle
Z	1	Électrode avec fil d'allumage, 1315 mm
AA	1	Électrode avec fil d'allumage, 1575 mm
BB	1	Électrode avec fil d'allumage, 1775 mm
CC	1	Électrode avec fil d'allumage, 1975 mm
DD	2	Goupille d'arrêt pour gaz naturel (JEU de 2)
EE	1	TROUSSE, supports de tige de rôtissoire, (JEU de 2)
Non illustré		
...	1	Trousse de quincaillerie
...	1	Outil de nettoyage des grilles
...	1	Guide de produit, anglais, espagnol, français

R67SB0317 PIÈCES SCHÉMA



URGENCES : si une fuite de gaz ne peut pas être arrêtée, ou si un incendie se propage en raison d'une fuite de gaz, appelez le service d'incendie.

Urgences	Cause possible	Prévention/Solution
Fuite de gaz sur un tuyau cassé, coupé ou brûlé.	<ul style="list-style-type: none"> Tuyau endommagé ou la conduite de gaz 	<ul style="list-style-type: none"> Fermez l'alimentation en gaz au niveau du réservoir ou à la source au niveau du système de distribution du gaz naturel. Si l'une des pièces est brûlée ou endommagée, remplacez la conduite de gaz, le tuyau souple ou le détendeur. Cessez d'utiliser le produit jusqu'à ce qu'un plombier ait recherché la cause du problème et que les corrections soient faites Remplacez le réservoir de gaz.
Fuite de gaz du réservoir de GPL.	<ul style="list-style-type: none"> Défaillance mécanique due à la rouille ou à une mauvaise manipulation. 	<ul style="list-style-type: none"> Fermez l'alimentation en gaz au niveau de la valve du réservoir de GPL. Rapportez le réservoir de GPL au fournisseur.
Fuite de gaz de la valve du réservoir de GPL.	<ul style="list-style-type: none"> Défaillance de la valve du réservoir due à une mauvaise manipulation ou à une défaillance mécanique. Installation incorrecte, connexion non étanche, défaillance du joint d'étanchéité. 	<ul style="list-style-type: none"> Fermez l'alimentation en gaz au niveau de la valve du réservoir  Retirez le régulateur du réservoir et vérifiez par inspection visuelle si le joint d'étanchéité a été endommagé ou non. Consultez les sections « Essai d'étanchéité d'un réservoir de GPL » et « Connexion du régulateur au réservoir de GPL ».
Fuite de gaz entre le réservoir de GPL et le raccord du régulateur.	<ul style="list-style-type: none"> Installation incorrecte, connexion non étanche, défaillance du joint d'étanchéité. 	<ul style="list-style-type: none"> Fermez tous les boutons de réglage, ainsi que la valve du réservoir  Laissez le couvercle ouvert pour permettre aux flammes de s'éteindre. Une fois le feu éteint et l'appareil refroidi, enlevez le brûleur et inspectez-le afin d'identifier la présence de rouille ou de nids d'araignées. Consultez les pages concernant les dangers naturels et celles sur le nettoyage du brûleur.
Feu sortant du panneau de commande.	<ul style="list-style-type: none"> Feu dans le tube du brûleur au niveau du brûleur dû à un blocage. 	<ul style="list-style-type: none"> Fermez tous les boutons de réglage, ainsi que la valve du réservoir  Laissez le couvercle ouvert pour permettre aux flammes de s'éteindre. Une fois le refroidissement terminé, enlevez les particules d'aliments et la graisse accumulés à l'intérieur du foyer, du plateau d'écoulement de la graisse et des autres surfaces.
Feu de graisse ou grosses flammes continues au dessus de la surface de cuisson.	<ul style="list-style-type: none"> Accumulation excessive de graisse autour du brûleur. 	<ul style="list-style-type: none"> Fermez tous les boutons de réglage, ainsi que la valve du réservoir  Laissez le couvercle ouvert pour permettre aux flammes de s'éteindre. Une fois le refroidissement terminé, enlevez les particules d'aliments et la graisse accumulés à l'intérieur du foyer, du plateau d'écoulement de la graisse et des autres surfaces.
Fuite de gaz au niveau du détendeur de gaz naturel de l'appareil	<ul style="list-style-type: none"> Régulateur pas scellé sur le tuyau de gaz d'entrée sur le gril. 	<ul style="list-style-type: none"> Fermez le robinet d'alimentation en gaz. Débranchez les conduites de l'entrée de gaz naturel du détendeur. Retirez le détendeur du brûleur latéral et joindre de manière étanche le conduit de l'entrée de gaz. Raccordez de nouveau les conduites de gaz au détendeur.

Dépannage

Problème	Cause possible	Prévention/Solution
<p>Le dispositif d'allumage n'allume pas le(s) brûleur(s). (Voir également la section Dépannage pour les dispositifs d'allumage électroniques)</p> <p><i>suite à la page suivante.</i></p>	<p>PROBLÈMES RELATIFS AU GAZ :</p> <ul style="list-style-type: none"> Vous essayez d'allumer le mauvais brûleur. Le brûleur n'est pas branché au système de valve. Le brûleur est obstrué. Le gaz ne circule pas. Il y a un bouchon de vapeur au niveau de l'écrou de raccord du réservoir de GPL. L'écrou de raccord et le réservoir de GPL ne sont pas complètement branchés. <p>PROBLÈMES ÉLECTRIQUES :</p> <ul style="list-style-type: none"> L'électrode est fendue ou cassée. Des étincelles se produisent à l'endroit de la fissure. La pointe de l'électrode n'est pas placée au bon endroit. Des fils ou l'électrode sont couverts de résidus de cuisson. Les fils sont débranchés ou le contact est mauvais. Court-circuit (étincelles) entre le dispositif d'allumage et l'électrode. La pile est épuisée. 	<ul style="list-style-type: none"> Voir les instructions sur le panneau de commande et dans la section Utilisation et entretien. Assurez-vous que le porte-orifice est bien inséré dans les tubes du brûleur. Assurez-vous que les tubes du brûleur ne sont pas obstrués par des toiles d'araignées ou par d'autres matières. Voir la section sur le nettoyage et l'entretien. Vérifiez que le réservoir de GPL n'est pas vide ou l'alimentation en gaz naturel est ouverte. Si le réservoir de GPL n'est pas vide, consultez l'article « Baisse subite de la circulation du gaz ». Fermez tous les boutons de réglage et débranchez l'écrou de raccord du réservoir de gaz. Rebranchez-le et essayez à nouveau. Tournez l'écrou de raccord d'environ un demi-tour ou de trois quarts de tour supplémentaire jusqu'à ce qu'il soit bloqué à fond. Ne serrez qu'à la main - n'utilisez pas d'outils. Remplacez la ou les électrodes. La pointe de l'électrode doit être orientée vers l'orifice de gaz du brûleur. La distance doit se situer entre 1/8 po et 1/4 po. Ajustez au besoin. Nettoyez les fils ou les électrodes au moyen d'alcool à friction et d'un chiffon propre. Rebranchez les fils ou remplacez les électrodes et les fils. Remplacez le câble d'allumage ou l'électrode. Remplacez par une nouvelle pile alcaline.

Dépannage (suite)

Problème	Cause possible	Prévention/Solution
Le dispositif d'allumage n'allume pas le(s) brûleur(s). (Voir également la section Dépannage pour les dispositifs d'allumage électroniques)	ALLUMAGE ÉLECTRONIQUE : <ul style="list-style-type: none"> • Pas d'étincelles, pas de bruit d'allumage. • Pas d'étincelles, quelques bruits d'allumage. • Les étincelles sont présentes, mais pas au niveau de l'électrode ou pas à pleine puissance. 	<ul style="list-style-type: none"> • Reportez-vous à la section I du système d'allumage électronique. • Reportez-vous à la section II du système d'allumage électronique. • Reportez-vous à la section III du système d'allumage électronique.
Le brûleur ne s'allume pas avec des allumettes.	<ul style="list-style-type: none"> • Consultez la section « PROBLÈMES RELATIFS AU GAZ » à la page précédente. • L'allumette est trop courte. • Méthode incorrecte d'allumage avec une allumette. 	<ul style="list-style-type: none"> • Utilisez des allumettes à tige longue (allumettes conçues pour l'allumage de foyers). • Reportez-vous à la section « Allumage avec une allumette » dans le manuel d'utilisation et d'entretien.
Baisse subite du flux de gaz ou flamme faible.	<ul style="list-style-type: none"> • Le gaz est épuisé. • La soupape de remplissage excessif a été déclenchée. • Il existe un bouchon de vapeur au niveau de l'écrou de raccord du réservoir de GPL. 	<ul style="list-style-type: none"> • Vérifiez que le réservoir de GPL contient bien du gaz. • Fermez les boutons, attendez 30 secondes et allumez le gril. Si les flammes sont toujours faibles, fermez les boutons et la valve du réservoir. Débranchez le régulateur. Rebranchez le régulateur et faites un essai d'étanchéité. Ouvrez la valve du réservoir, attendez 30 secondes, puis allumez le gril. • Fermez tous les boutons de réglage, ainsi que la valve du réservoir. Débranchez l'écrou de raccord du réservoir. Rebranchez-le et essayez de nouveau.
Les flammes s'éteignent.	<ul style="list-style-type: none"> • Vents forts ou rafales. • Niveau de gaz bas. • La soupape de remplissage excessif a été déclenchée. 	<ul style="list-style-type: none"> • Tournez le gril afin de faire face au vent ou augmentez la hauteur des flammes. • Remplissez le réservoir de gaz. • Reportez-vous à la section « Baisse subite de l'écoulement du gaz » ci-dessus.
Flambées soudaines.	<ul style="list-style-type: none"> • Accumulation de graisse. • Excès de gras dans la viande. • Température de cuisson excessive. 	<ul style="list-style-type: none"> • Nettoyez les brûleurs et la partie intérieure du gril ou du foyer. • Enlevez le gras de la viande avant la cuisson. • Ajustez (abaissez) la température selon le cas.
Incendie de graisse persistant.	<ul style="list-style-type: none"> • Graisse coincée par l'accumulation de nourriture autour du système du brûleur. 	<ul style="list-style-type: none"> • Tournez les boutons en position d'arrêt OFF. Fermez l'alimentation en gaz au niveau du réservoir de GPL. Laissez le couvercle en position et laissez le feu s'épuiser. Lorsque le gril a refroidi, enlevez et nettoyez toutes les pièces.
Retour de flamme... (incendie dans les tubes du brûleur).	<ul style="list-style-type: none"> • Le brûleur ou les tubes du brûleur sont bloqués. 	<ul style="list-style-type: none"> • Tournez les boutons en position d'arrêt OFF. Nettoyez les brûleurs ou les tubes de brûleur. Voir la section sur le nettoyage du brûleur du manuel d'utilisation et d'entretien.
Impossibilité de remplir le réservoir cylinder.	<ul style="list-style-type: none"> • Certains distributeurs utilisent de vieilles buses de remplissage dont le filetage est usé. 	<ul style="list-style-type: none"> • Les buses usées n'offrent pas assez de filetage pour se brancher à la valve. Essayez un autre distributeur de GPL.
Un brûleur ne s'allume pas à partir d'autres brûleurs.	<ul style="list-style-type: none"> • Accumulation de graisse ou de particules d'aliments dans le(s) extrémité(s) des renforts de tube. 	<ul style="list-style-type: none"> • Nettoyez le(s) renfort(s) de tube au moyen d'une brosse métallique.

Dépannage – Allumage électronique

Problème (allumage)	Cause possible	Vérification de la procédure	Prévention/Solution
SECTION I Pas d'étincelles apparaissent à tout moment des électrodes d'allumage électronique Buttonis pressés, pas de bruit peut être entendu à partir de bougies module.	<ul style="list-style-type: none"> • La pile n'est pas installée correctement. • La pile est épuisée. • Le bouton n'est pas installé correctement. • Le module de production d'étincelles est défectueux. • Connexions de fils d'extension desserrés. 	<ul style="list-style-type: none"> • Vérifiez l'orientation de la pile. • Cette pile a-t-elle déjà été utilisée? • Vérifiez que le filetage est bien engagé. Le bouton doit se déplacer librement de haut en bas. • Si aucune étincelle n'est produite avec une nouvelle pile et un bon raccord de fils, le module est défectueux. • Connexions d'extension sont-ils serrés? 	<ul style="list-style-type: none"> • Installez la pile (assurez-vous que les polarités « - » et « + » sont orientées correctement, avec le côté « - » vers le haut et le côté « + » vers le bas.) • Remplacez la pile avec une nouvelle pile alcaline. • Desserrez l'assemblage du capuchon du bouton et installez-le de nouveau, en vous assurant que le filetage est aligné et engagé complètement. • Remplacez le module d'étincelles. • Retirer et rebrancher les connexions de fil d'extension.
SECTION II Pas d'étincelles apparaissent à tout moment des électrodes d'allumage électronique Buttonis pressé, le bruit peut être entendu à partir de bougies module.	<ul style="list-style-type: none"> • Les fils de sortie ne sont pas branchés. • Connexions de d'extension en vrac ou exposés. 	<ul style="list-style-type: none"> • Les fils de sortie sont-ils branchés et étanches? • Connexions d'extension sont-ils serrés? Sont connexions d'extension isolés? 	<ul style="list-style-type: none"> • Enlevez et rebranchez tous les fils de sortie du module et des électrodes. • Retirer et rebrancher les connexions de fil d'extension. Utilisez du ruban électrique ou rétractable pour isoler les connexions de fil d'extension.
SECTION III Des étincelles sont présentes, mais pas vis-à-vis de toutes les électrodes ou alors, les étincelles ne sont pas à pleine puissance.	<ul style="list-style-type: none"> • Les fils de sortie ne sont pas branchés. • Amorçage d'arc électrique loin des brûleurs. • Pile faible. • Les électrodes sont mouillées. • Les électrodes sont fendues ou cassées. Des étincelles apparaissent à l'endroit de la fissure. • Connexions de d'extension en vrac ou exposés. 	<ul style="list-style-type: none"> • Les fils de sortie sont-ils branchés et étanches? • Si possible, observez le gril dans l'obscurité. Faites fonctionner le dispositif d'allumage et cherchez l'amorçage de l'arc entre les fils de sortie et le cadre du gril. • Toutes les étincelles sont présentes, mais faibles ou lentes. • Y-a-t-il une accumulation d'humidité sur l'électrode ou dans les ouvertures du brûleur? • Examinez les électrodes pour d'éventuelles fissures. • Connexions d'extension sont-ils serrés? Sont connexions d'extension isolés? 	<ul style="list-style-type: none"> • Enlevez et rebranchez tous les fils de sortie du module et des électrodes. • Si vous voyez des étincelles autres que celles des brûleurs, les fils d'isolation sont peut-être endommagés. Remplacez les fils. • Remplacez la pile avec une nouvelle pile alcaline. • Essayez l'humidité avec une serviette de papier. • Remplacez les électrodes fendues ou cassées. • Retirer et rebrancher les connexions de fil d'extension. Utilisez du ruban électrique ou rétractable pour isoler les connexions de fil d'extension.