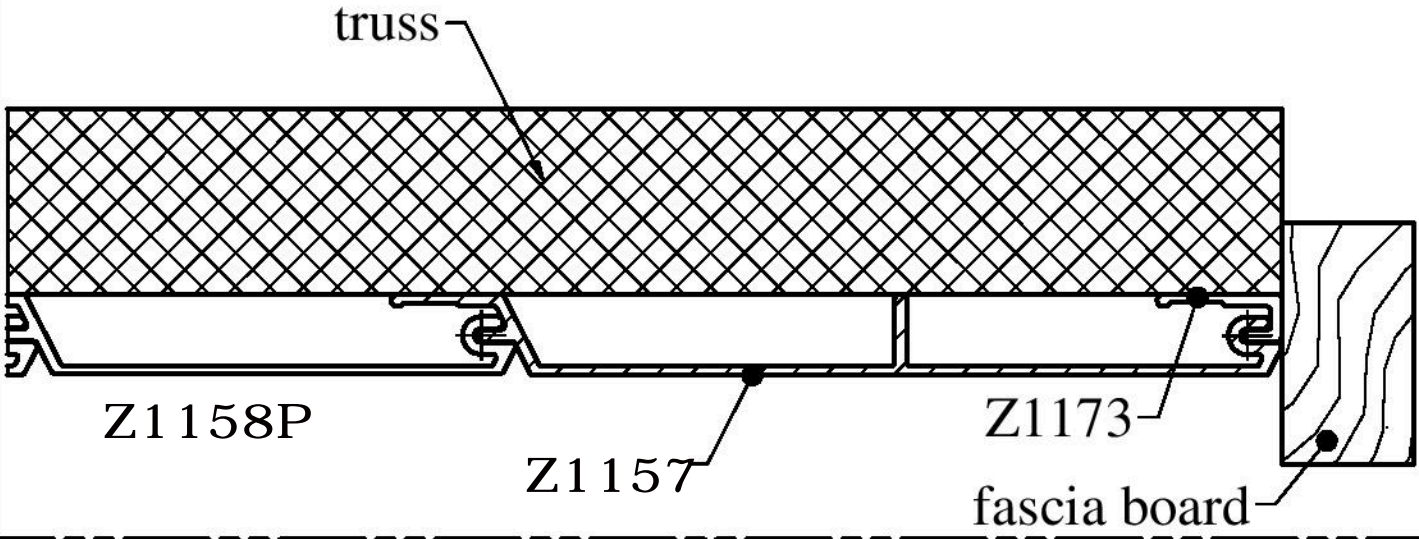
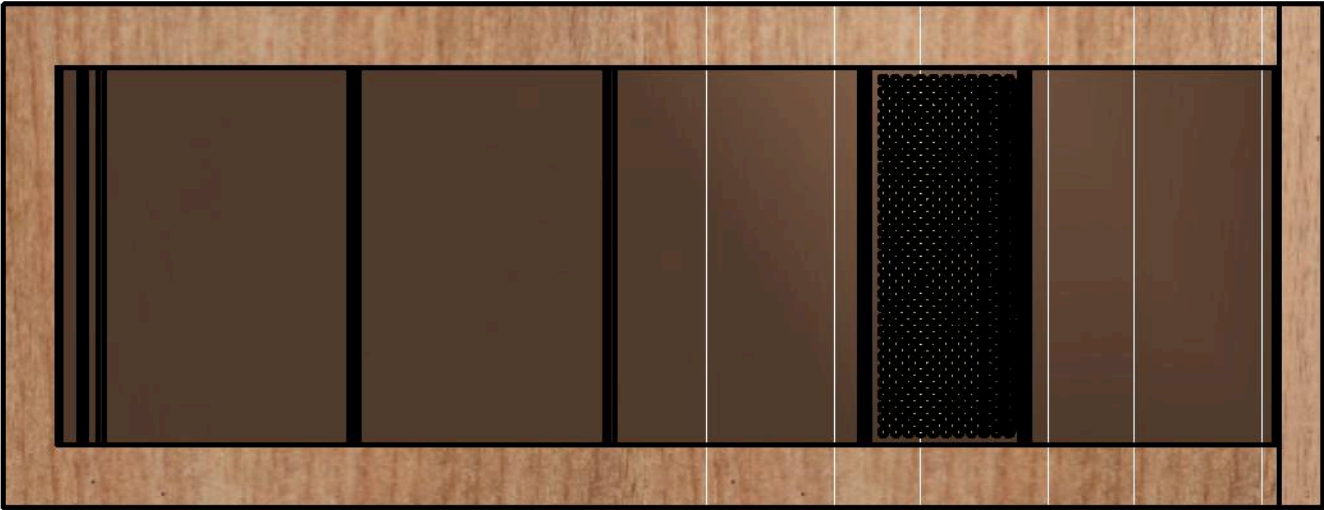
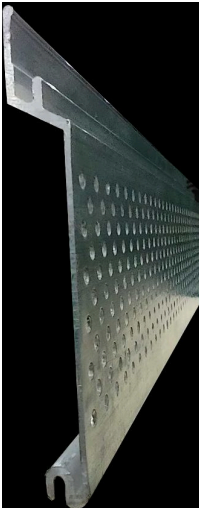
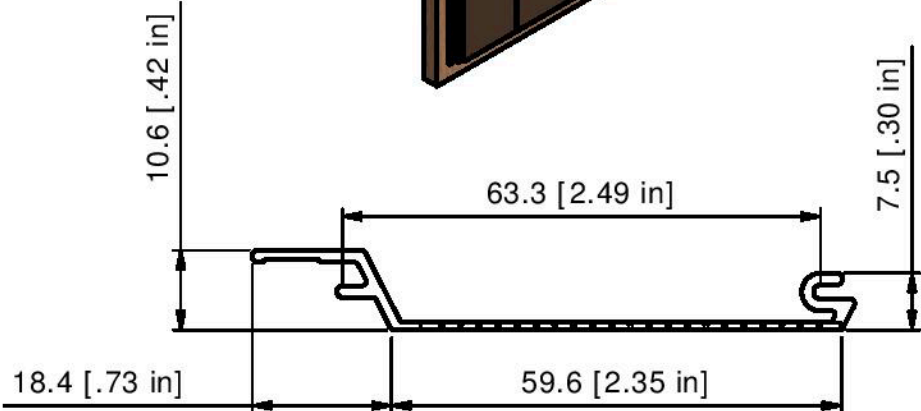


Taux de ventilation: 15%



**Perforated 2 1/2**  
**2 1/2 Perforé**

